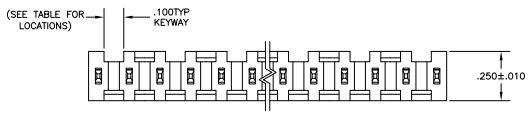
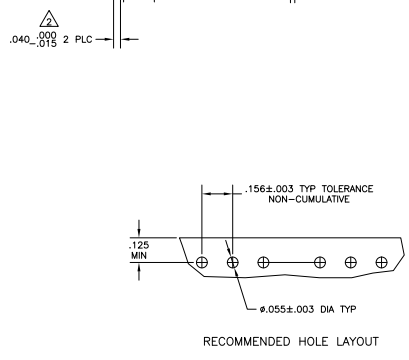
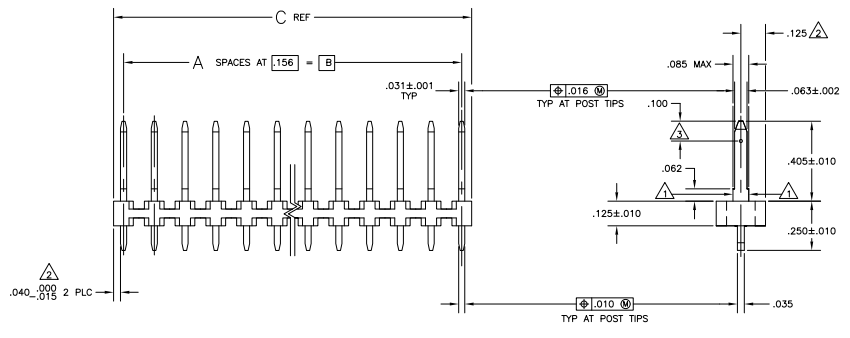


REV	DATE	DESCRIPTION	BY	CHK	APP
AD	00	REVISED PER EDD-11-004917	AC3		



- △ THESE SURFACES WILL NOT BE PLATED
- △ THE NOTED DIMENSIONS APPLY AT THE INTERSECTION OF THE POST AND THE HOUSING
- △ POINT OF MEASUREMENT FOR PLATING THICKNESS
- △ OBSOLETE PARTS: OBSOLETE GIS STREAMLINING PER D.RENAUD/D.SINISI



OBsolete	-	0	5,415	5,304	34	35	3-85829-5
OBsolete	-	0	5,259	5,148	33	34	3-85829-4
OBsolete	-	0	5,103	4,992	32	33	3-85829-3
OBsolete	-	0	4,947	4,836	31	32	3-85829-2
OBsolete	-	0	4,791	4,680	30	31	3-85829-1
OBsolete	-	0	4,635	4,524	29	30	3-85829-0
OBsolete	-	0	4,479	4,368	28	29	2-85829-9
OBsolete	-	0	4,323	4,212	27	28	2-85829-8
OBsolete	-	0	4,167	4,056	26	27	2-85829-7
OBsolete	-	0	4,011	3,900	25	26	2-85829-6
	A,C,E,H,K,M,Q,S,U,W,Y	11	3,855	3,744	24	25	2-85829-5
	A,C,E,G,J,L,N,Q,S,U,W,Y	12	3,699	3,588	23	24	2-85829-4
	A,D,G,K,I,N,R,U,X	8	3,543	3,432	22	23	2-85829-3
	A,C,E,G,J,L,N,Q,S,U,W	11	3,387	3,276	21	22	2-85829-2
	A,D,G,K,N,R,U	7	3,231	3,120	20	21	2-85829-1
	A,C,E,G,J,L,N,Q,S,U	10	3,075	2,964	19	20	2-85829-0
	B,D,F,J,L,N,Q,S	8	2,919	2,808	18	19	1-85829-9
	A,D,F,J,W,P,S	7	2,763	2,652	17	18	1-85829-8
	A,D,G,K,N,R	6	2,607	2,496	16	17	1-85829-7
	A,C,E,G,J,L,N,Q	8	2,451	2,340	15	16	1-85829-6
	A,D,G,K,N	5	2,295	2,184	14	15	1-85829-5
	A,C,E,G,J,L,N	7	2,139	2,028	13	14	1-85829-4
	A,D,J,M	4	1,983	1,872	12	13	1-85829-3
	A,C,E,G,J,L	6	1,827	1,716	11	12	1-85829-2
	A,D,G,K	4	1,671	1,560	10	11	1-85829-1
	A,C,E,G,J	5	1,515	1,404	9	10	1-85829-0
	A,D,G	3	1,359	1,248	8	9	85829-9
	A,C,E,G	4	1,203	1,092	7	8	85829-8
	A,C,E	3	1,047	936	6	7	85829-7
	A,C,E	3	891	780	5	6	85829-6
	A,D	2	735	624	4	5	85829-5
	A,C	2	579	468	3	4	85829-4
	A	1	423	312	2	3	85829-3
	A	1	267	156	1	2	85829-2
	-	0	111	-	1	1	85829-1

KEYWAY LOCATIONS	NO OF KEYWAY	C	B	A	NO OF POSN	ASSEMBLY PART NUMBER

THIS DRAWING IS A CONTROLLED DOCUMENT. **TE** TE Connectivity

DATE: 000779 (G=85829)

CUSTOMER DRAWING