

LOC	DIST	REVISIONS					
AI	—	P	LTR	DESCRIPTION	DATE	DWN	APVD
ÄNDERUNGEN, DIE DEM TECHNISCHEN FORTSCHRITT DIENEN, BEHALTEN WIR UNS VOR		P1		P/N: 826936-4 REACTIVATION	25AUG11	MHM	RP

POS.	PART-NO.	
—	—	—
2	826 936 -2	
3		-3
4		-4
5		-5
6		-6
7		-7
8		-8
9		-9
10	1-	-0
11	-1-	-1
12	-1-	-2
13	1-	-3
14	-1-	-4
15	-1-	-5
16	1-	-6
17	1-	-7
18	1-	-8
19	1-	-9
20	2-	-0
21	-2-	-1
22	-2-	-2
23	-2-	-3
24	-2-	-4
25	-2-	-5
26	-2-	-6
27	-2-	-7
28	-2-	-8
29	-2-	-9
30	-3-	-0
31	-3-	-1
32	-3-	-2
33	-3-	-3
34	-3-	-4
35	-3-	-5
36	-3-	-6
37	-3-	-7
38	-3-	-8
39	-3-	-9
40	-4-	-0
41	-4-	-1
42	-4-	-2
43	-4-	-3
44	-4-	-4
45	-4-	-5
46	-4-	-6
47	-4-	-7
48	-4-	-8
49	-4-	-9
50	5- 826 936 -0	


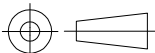
SIEHE ZEICHNUNG
826 629 BLATT 1

SEE DESIGN
826629 SHEET 1

THIS DRAWING IS UNPUBLISHED. ALL RIGHTS RESERVED.

VON DIESER ZEICHNUNG GIBT ES KEIN ORIGINAL

BESTELL-NR.	WERKSTOFF	OBERFLÄCHE
		FARBE

DIMENSIONS: mm		DWN —	MATERIAL —	FINISH —
TOLERANCES UNLESS OTHERWISE SPECIFIED:		CHK —	 TE Connectivity	
0 PLC ± -	PRODUCT SPEC —	APVD —		
1 PLC ± -	APPLICATION SPEC —		SIZE	CAGE CODE
2 PLC ± -			A4	00779
3 PLC ± -			DRAWING NO	C=826936
4 PLC ± -			RESTRICTED TO	—
ANGLES ± -	WEIGHT —		CUSTOMER DRAWING	
			SCALE —	SHEET 1 OF 1
				REV P1