

LOC	DIST	REVISIONS					
A1	—	P	LTR	DESCRIPTION	DATE	DWN	APVD
ÄNDERUNGEN, DIE DEM TECHNISCHEN FORTSCHRITT DIENEN, BEHALTEN WIR UNS VOR		P		REVISED PER ECO-11-005301	02MAR11	RK	HMR


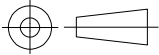
RELEASED FOR PUBLICATION  
ALL RIGHTS RESERVED.

SIEHE ZEICHNUNG  
826 629 BLATT 1

VON DIESER ZEICHNUNG GIBT ES KEIN ORIGINAL

THIS DRAWING IS UNPUBLISHED.  
By —  
COPYRIGHT —

BESTELL-NR.	WERKSTOFF	OBERFLÄCHE FARBE
-------------	-----------	---------------------

DIMENSIONS: mm		DWN —	MATERIAL —	FINISH —
TOLERANCES UNLESS OTHERWISE SPECIFIED:		CHK —	 TE Connectivity	
0 PLC ± -	APVD —	PRODUCT SPEC —		
1 PLC ± -	APPLICATION SPEC —	SIZE	CAGE CODE	DRAWING NO
2 PLC ± -	WEIGHT —	A4	00779	C-826926
3 PLC ± -		RESTRICTED TO —		
4 PLC ± -		CUSTOMER DRAWING		
ANGLES ± -	SCALE —	SHEET 1 of 1	REV P	