

4

3

2

1

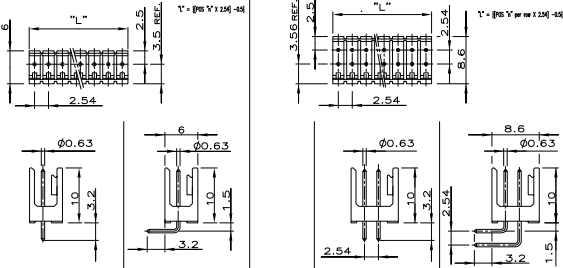
THIS DRAWING IS UNPUBLISHED. RELEASED FOR PUBLICATION. ALL RIGHTS RESERVED.

MODU II SHROUDED POSTS

MODU II Stiftleiste

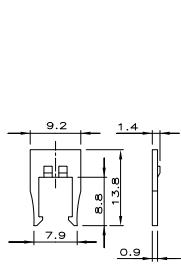
SINGLE ROW 3 TO 50 POS.
Einreihig 3 bis 50 pol.

DOUBLE ROW 2x3 TO 2x50 POS.
Zweireihig 2x3 bis 2x50 pol.



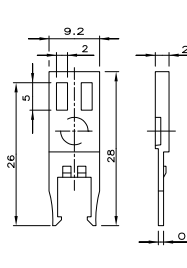
RETENTION PLUG

Rastgabel



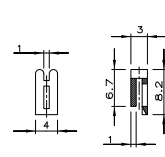
RETENTION PLUG WITH STRAIN RELIEF

Rastgabel mit Zugentlastung



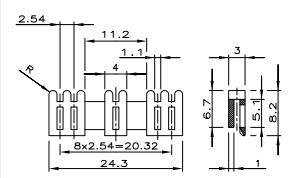
KEYING PLUG

Kodierstift



KEYING BLOCK

Kodierblock



LOC	DIST	REVISIONS			
F	LR	DESCRIPTION	DATE	MIN	APD
W7		LENGTH 1" CORRECTION FOR MODU II SHROUDED POSTS	21OCT11	MHM	RP

ZEICHNUNG GÜLTIG AB KW 11/95

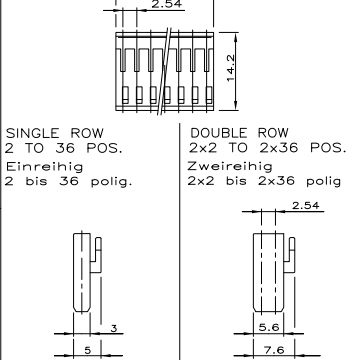
POS.	PART NUMBERS	PART NUMBERS	POS.	PART NUMBERS	PART NUMBERS
3 TO 50	826 467-3 BIS 5-826 467-0	826 468-3 BIS 5-826 468-0	2x3 TO 2x50	826 469-3 BIS 5-826 469-0	826 470-2 BIS 5-826 470-0
	827 295-2 BIS 5-827 295-0	827 296-3 BIS 5-827 296-0		827 297-3 BIS 5-827 297-0	827 298-3 BIS 5-827 298-0

PART NUMBERS	COLOUR	PART NUMBERS	COLOUR	PART NUMBERS	COLOUR
926 477-1	BLACK	926 478-1	BLACK	926 498-1	BLACK
926 477-2	GREEN	926 478-2	GREEN	926 498-2	GREEN
926 477-3	RED	926 478-3	RED	926 498-3	RED

PART NUMBERS	COLOUR
927 607-1	BLACK
927 607-2	GREEN
927 607-3	RED

MODU IV RECEPTACLE HOUSING

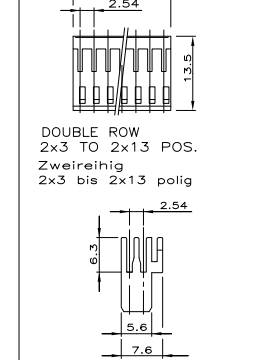
MODU IV Buchsengehäuse



POS.	PART NUMBERS	POS.	PART NUMBERS	POS.	PART NUMBERS
2 TO 36	926 475-2 3-926 475-6	2x2 TO 2x36	926 476-2 3-926 476-6	2x3 TO 2x13	927 009-3 1-927 009-3

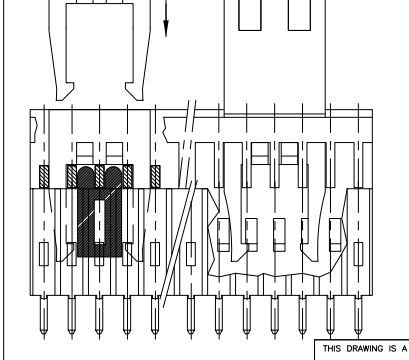
FFC HOUSING

FFC Gehäuse



ASSEMBLED COMPONENTS (FOR EXAMPLE)

Anwendungsbeispiel



CONTACTPIN/Kontaktstift: CuZn
 PLATING MATING AREA:
 0.1µm Au OVER 0.7µm Pd-ALLOY OVER 1.27µm Ni
 Oberfläche Steckbereich:
 0.1µm Au über 0.7µm Pd-Legierung über 1.27µm Ni
 SOLDER SIDE: 2.0µm Sn OVER 1.27µm Ni
 Lötseite: 2.0µm Sn über 1.27µm Ni

CONTACTPIN/Kontaktstift: CuSn
 PRE TIN PLATED MIN. 2.0µm Sn OVER 1.27µm Ni
 (PIN TIPS BLANK)
 Vorverzinkt min. 2.0µm Sn über 1.27µm Ni
 (Stiftspitzen blank)

MATERIAL:
 PIN HEADER
 Stiftgehäuse PCT-GV BLACK/schwarz
 RECEPTACLE HOUSING PBT-GV BLACK/schwarz
 Buchsengehäuse
 RETENTION PLUGS PC-GV
 Rastgabeln
 KEYING PLUG AND BLOCK PA 6.6 GV
 Kodierstift, -block
 FFC HOUSING PBT-GV BLACK/schwarz
 FFC Gehäuse

OBsolete PARTS
 OBsolete PARTS:OBsolete CIS STREAMLINING
 PER D.RENAUD/D.SINISI

THIS DRAWING IS A CONTROLLED DOCUMENT. DATE: 08.03.85

DIMENSIONS: mm

TOLERANCES UNLESS OTHERWISE SPECIFIED: ±0.2mm

0 P.L.C. ±0.2
 1 P.L.C. ±0.2
 2 P.L.C. ±0.2
 3 P.L.C. ±0.2
 4 P.L.C. ±0.2
 ANGLES ±0.5

MATERIAL: FINISH

APP. NO. 02.03.85
 CHK. M. SCHAARSCHMIDT
 NAME: AMPMODU II / AMPMODU IV

PRODUCT SPEC: APPLICATION SPEC: WEIGHT: SIZE: CASE CODE: DRAWING NO: A2 00779 C-826467 RESTRICTED TO: CUSTOMER DRAWING SCALE: 2:1 SHEET: 1 of 2 REV: W7

TE Connectivity

1471-9 (3/11)

826467

A

4

3

2

1

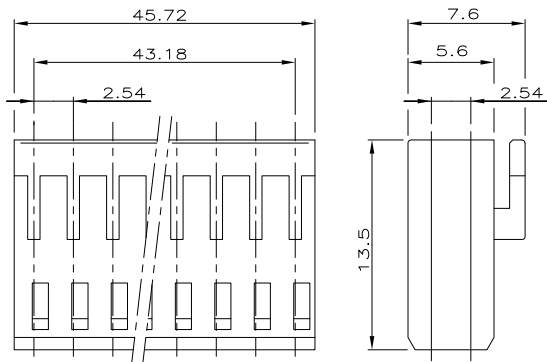
THIS DRAWING IS UNPUBLISHED.

RELEASED FOR PUBLICATION

COPYRIGHT - By -

ALL RIGHTS RESERVED.

LOC	DIST	REVISIONS				
P	LTR	DESCRIPTION	DATE	DWN	APVD	
AI	-	SEE SHEET 1	-	-	-	



PN 6-926476-8


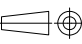
2x18 POS. AMPMODU IV RECEPTACLE HOUSING

2x18 POL. AMPMODU IV BUCHSENGEHÄUSE

PACKAGING Verpackung

PART NUMBER 5-826467-3 INCLUDING 75 PCS. OF PN 826467-3
PACKED IN PLASTIC BOX (78mm x 78mm x 45mm)
FOR TE-HARRISBURG ONLY

Bestell- Nummer 5-826467-3 enthält 75 Stk. PN 826467-3
verpackt in Kunststoffschachtel (78mm x 78mm x 45mm)
nur für TE-Harrisburg

THIS DRAWING IS A CONTROLLED DOCUMENT.		DWN	27.09.85		ZEICHNUNG GÜLTIG AB KW 11./95				
DIMENSIONS: mm		CHK	M. SCHAARSCHMIDT		 TE Connectivity				
		APVD	W. MORITZ						
		TOLERANCES UNLESS OTHERWISE SPECIFIED: ±0.2mm		NAME					
		0 PLC	±	AMPMODU II/AMPMODU IV					
MATERIAL		1 PLC	±	SPECIAL PERFORMANCE					
		2 PLC	±	SONDERAUSFUEHRUNG					
		3 PLC	±	PRODUCT SPEC		SIZE		RESTRICTED TO	
		4 PLC	±	APPLICATION SPEC		CAGE CODE	DRAWING NO		
FINISH		ANGLES	±	WEIGHT		A3	00779	C-826467	-
CUSTOMER DRAWING				SCALE	4:1	SHEET	2 of 2	REV	W7

1470-19 (3/11)