

4

3

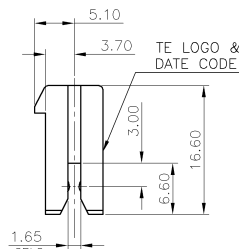
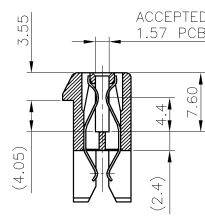
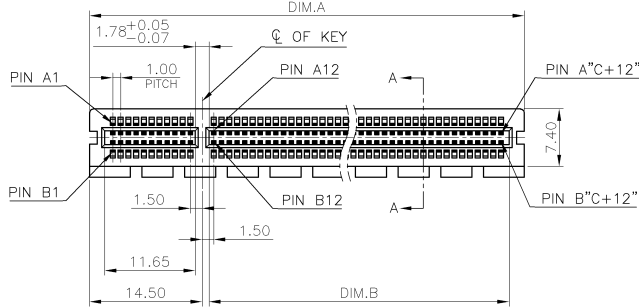
2

1

THIS DRAWING IS UNPUBLISHED. RELEASED FOR PUBLICATION
 © COPYRIGHT 2010 BY TYCO ELECTRONICS CORPORATION. ALL RIGHTS RESERVED.

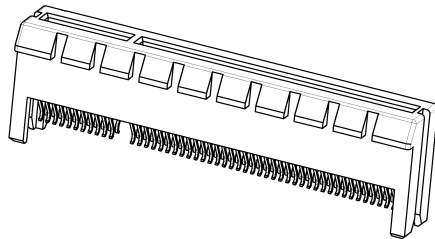
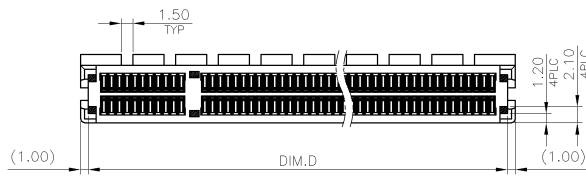
| LOC | DIST | REVISIONS | | | |
|-----|------|----------------------------|----------|------|------|
| P | LTR | DESCRIPTION | DATE | DWN | APVD |
| DW | | B3 REVISED (ECR-11-018686) | 27SEP'11 | E.L. | W.K. |

- NOTE:
- MATERIAL:
HOUSING: NY9T UL 94V-0, COLOR: (SEE TABLE).
CAP: LCP UL 94V-0, COLOR: BLACK.
CONTACTS: PHOSPHOR BRONZE.
 - FINISH:
CONTACTS: (SEE TABLE) GOLD PLATED ON CONTACT AREA, 2.54um [100u"] MIN. MATTE-TIN ON SOLDER TAIL, WITH ENTIRE CONTACT UNDERPLATED 1.27um [50u"] MIN. NICKEL.
 - REFLOW SOLDER CAPABLE TO 260°C PER TEST SPEC. TEC-109-201, CONDITION B.
 - WEIGHT:
36 POS.: 2.9 GRAMS
64 POS.: 4.0 GRAMS
98 POS.: 5.4 GRAMS
164 POS.: 9.1 GRAMS
- FOR REFLOW PROCESS, THE CAP MUST BE ATTACHED, IT WILL PROTECT HOUSING WARPAGE.



| | | |
|----------|---------------------|-------------|
| | 0.762µm [30µ"] MIN. | X-1734857-5 |
| | 0.381µm [15µ"] MIN. | X-1734857-4 |
| OBSOLETE | 0.254µm [10µ"] MIN. | X-1734857-3 |
| OBSOLETE | 0.127µm [5µ"] MIN. | X-1734857-2 |
| | 0.0254µm [1µ"] MIN. | X-1734857-1 |
| | GOLD PLATING | PART NUMBER |

| | | | | | | | |
|----------------|----|----|-------|----|-----|-----------------|-------------|
| BLACK | 87 | 70 | 71.65 | 89 | 164 | 8- | -X |
| | 54 | 37 | 38.65 | 56 | 98 | 7- | -X |
| | 37 | 20 | 21.65 | 39 | 64 | 6- | -X |
| | 23 | 6 | 7.65 | 25 | 36 | 5- | -X |
| WHITE (NATURE) | 87 | 70 | 71.65 | 89 | 164 | 4- | -X |
| | 54 | 37 | 38.65 | 56 | 98 | 3- | -X |
| | 37 | 20 | 21.65 | 39 | 64 | 2- | -X |
| | 23 | 6 | 7.65 | 25 | 36 | 1-1734857 | -X |
| | D | C | B | A | | POSITION NUMBER | PART NUMBER |



| DIMENSIONS: | | TOLERANCES UNLESS OTHERWISE SPECIFIED: | | DWN | | TE Connectivity | |
|------------------|----------|--|----------|------------------|-----------|---|-----------|
| mm | | 0 PLC | ± | B. HSING | 05JUN2009 | | |
| | | 1 PLC | ±0.3 | S. CHIEN | 05JUN2009 | | |
| | | 2 PLC | ±0.2 | APVD | W. KODAMA | NAME | |
| | | 3 PLC | ±0.15 | PRODUCT SPEC | | PCI EXPRESS CARD EDGE CONNECTOR STRADDLE MOUNT TYPE | |
| | | 4 PLC | ± | APPLICATION SPEC | | SIZE CAGE CODE DRAWING NO | |
| | | ANGLES | ± 3° | 108-57854 | | RESTRICTED TO | |
| MATERIAL | SEE NOTE | FINISH | SEE NOTE | WEIGHT | SEE TABLE | A300779 | C-1734857 |
| CUSTOMER DRAWING | | | | SCALE | 1 OF 4 | REV B3 | |

4

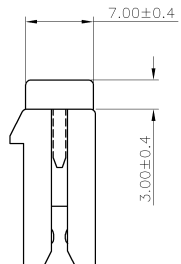
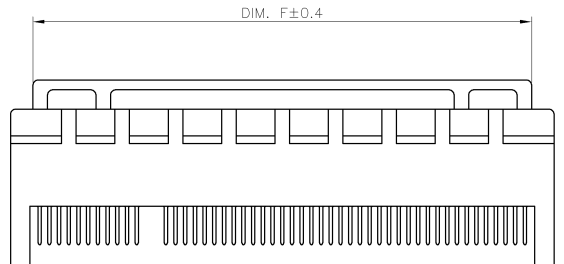
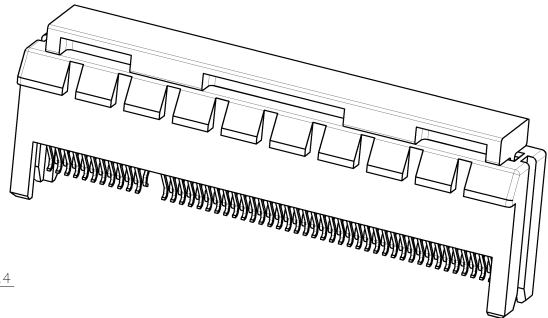
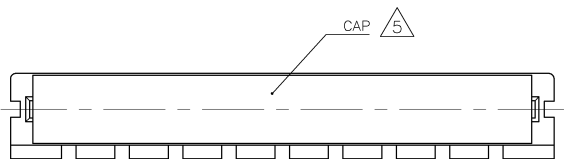
3

2

1

THIS DRAWING IS UNPUBLISHED. RELEASED FOR PUBLICATION
 © COPYRIGHT 2010 BY TYCO ELECTRONICS CORPORATION. ALL RIGHTS RESERVED.

| LOC | DIST | REVISIONS | | | |
|-----|------|--------------|------|-----|------|
| P | LTR | DESCRIPTION | DATE | DWN | APVD |
| DW | | SEE SHEET 1. | | | |



△ ASSEMBLY WITH CAP CONDITION

| | |
|----------|-------|
| 36 | 20.4 |
| 64 | 34.4 |
| 98 | 51.4 |
| 164 | 84.4 |
| POSITION | DIM F |

| | | | | | | |
|--|--|------------------|---|-----------|------------|---------------|
| THIS DRAWING IS A CONTROLLED DOCUMENT. | | DWN | TE Connectivity | | | |
| DIMENSIONS: mm | TOLERANCES UNLESS OTHERWISE SPECIFIED: 0 PLC ± 1 PLC ±0.3 2 PLC ±0.2 3 PLC ±0.15 4 PLC ± ANGLES ±° | CHK | NAME | | | |
| | | APVD | PCI EXPRESS CARD EDGE CONNECTOR STRADDLE MOUNT TYPE | | | |
| MATERIAL | FINISH | PRODUCT SPEC | SIZE | CAGE CODE | DRAWING NO | RESTRICTED TO |
| | | APPLICATION SPEC | A3 | 00779 | 1734857 | |
| | | WEIGHT | CUSTOMER DRAWING | | SCALE | SHEET 2 of 4 |
| | | | | | REV B3 | |

4

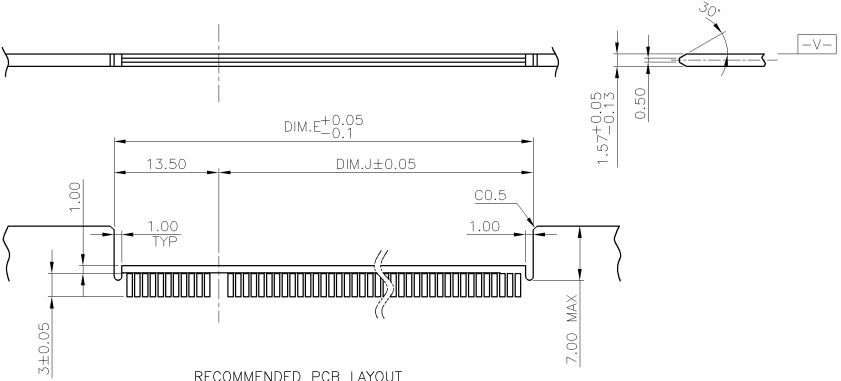
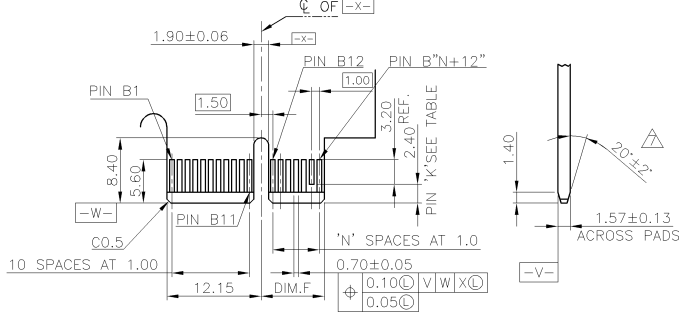
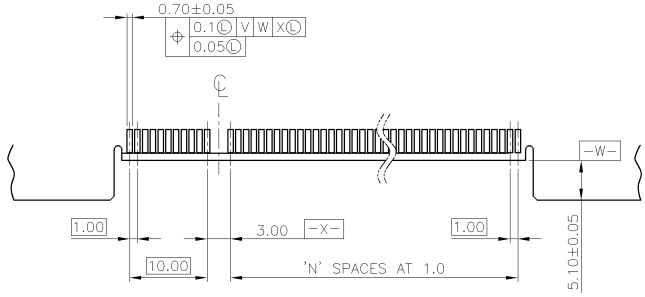
3

2

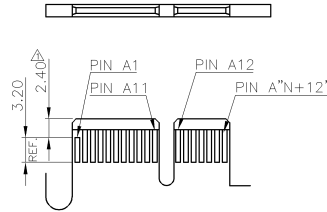
1

THIS DRAWING IS UNPUBLISHED. RELEASED FOR PUBLICATION
 COPYRIGHT 2010 BY TYCO ELECTRONICS CORPORATION. ALL RIGHTS RESERVED.

| LOC | DIST | REVISIONS | | |
|-----|------|--------------|------|-----|
| P | LTR | DESCRIPTION | DATE | DWN |
| DW | | SEE SHEET 1. | | |



← 1/0 PANEL DIRECTION
 PRIMARY (COMPONENT) SIDE



SECONDARY (SOLDER) SIDE
 PCI-E ADD-IN CARD EDGE-FINGER DIMENSION.

RECOMMENDED PCB LAYOUT
 PCB TOLERANCE: ±0.05

| | | | | | |
|------|----|-------|-------|-------|-----------------|
| 164 | 70 | 87.1 | 73.5 | 72.15 | B17,B31,B48,B81 |
| 98 | 37 | 54.1 | 40.5 | 39.15 | B17,B31,B48 |
| 64 | 20 | 37.1 | 23.5 | 22.15 | B17,B31 |
| 36 | 6 | 23.1 | 9.5 | 8.15 | B17 |
| POS. | N | DIM.E | DIM.J | DIM.F | "K" |

6. NO TIE BAR PERMITTED FROM CARD EDGE TO LEADING EDGE OF PAD FOR PINS A1 AND "K"
 CHAMFER EDGE MUST BE FREE OF CUTTING BURRS

| | | | | |
|--|--------|------------------|---|-----------|
| THIS DRAWING IS A CONTROLLED DOCUMENT. | | DWN | TE Connectivity | |
| DIMENSIONS: mm | | CHK | NAME | |
| TOLERANCES UNLESS OTHERWISE SPECIFIED: | | APVD | PCI EXPRESS CARD EDGE CONNECTOR STRADDLE MOUNT TYPE | |
| 0 PLC | ± | PRODUCT SPEC | SIZE | CAGE CODE |
| 1 PLC | ±0.3 | APPLICATION SPEC | A3 | 00779 |
| 2 PLC | ±0.2 | WEIGHT | DRAWING NO | |
| 3 PLC | ±0.15 | CUSTOMER DRAWING | C=1734857 | |
| 4 PLC | ± | SCALE | RESTRICTED TO | |
| ANGLES | ±° | SHEET | 3 of 4 | |
| MATERIAL | FINISH | REV | B3 | |

4

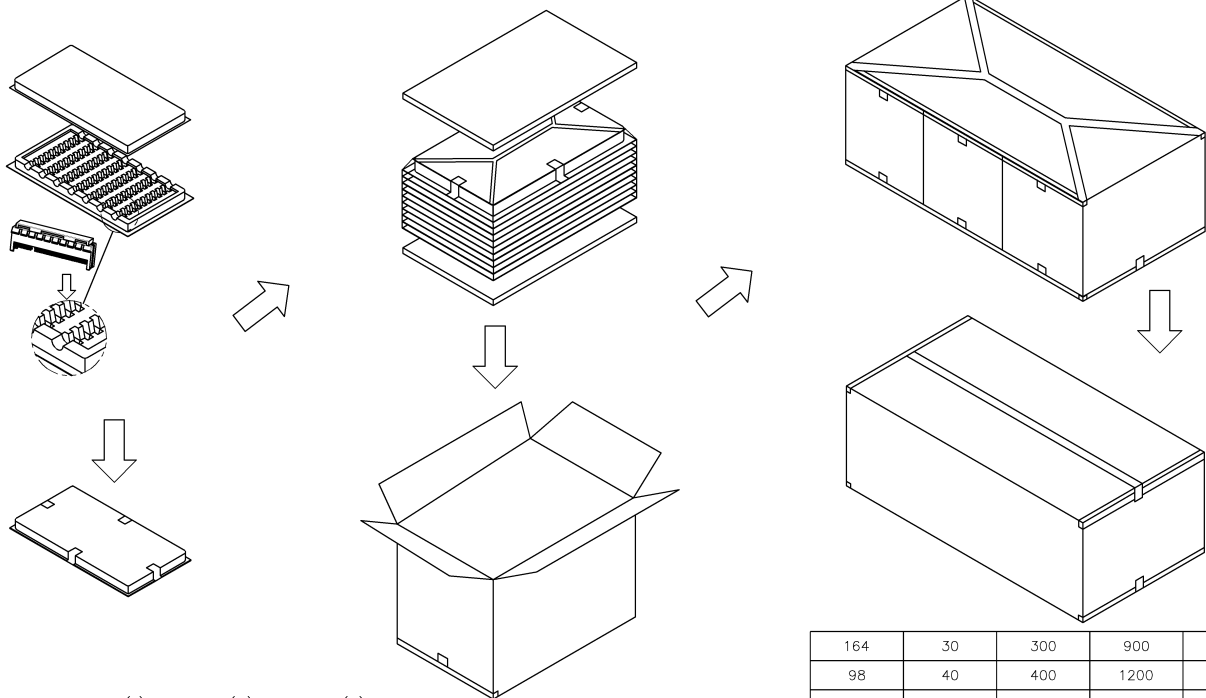
3

2

1

THIS DRAWING IS UNPUBLISHED. RELEASED FOR PUBLICATION
 © COPYRIGHT 2010 BY TYCO ELECTRONICS CORPORATION. ALL RIGHTS RESERVED.

| LOC | DIST | REVISIONS | | | | |
|--------------|------|-------------|------|-----|------|--|
| P | LTR | DESCRIPTION | DATE | DWN | APVD | |
| SEE SHEET 1. | | | | | | |



- NOTES:
1. TRAY : PVC, SIZE: 337mm(L) X 180mm(W) X 23.5mm(H).
 2. CARTON : CORRUGATED, SIZE: 353mm(L) X 199mm(W) X 223mm(H).
 3. CARTON TRANSPARENT BAG : PE, SIZE: 560mm(L) X 400mm(W) X 0.05mm(H).
 4. E.P.E SIZE: 336mm(L) X 182mm(W) X 8mm(H).
 5. BOX TRANSPARENT BAG : PE, SIZE: 600mm(L) X 590mm(W) X 0.06mm(H).
 6. BOX : CORRUGATED, SIZE: 603mm(L) X 371mm(W) X 240mm(H).
 7. QUANTITY: SEE TABL

| POS No. | PIECES PER TRAY | PIECES PER CARTON | PIECES PER BOX | NET WEIGHT (Kg) | GROSS WEIGHT (Kg) |
|---------|-----------------|-------------------|----------------|-----------------|-------------------|
| 164 | 30 | 300 | 900 | 8.2 | 12.1 |
| 98 | 40 | 400 | 1200 | 6.5 | 10.4 |
| 64 | 60 | 600 | 1800 | 7.2 | 11.1 |
| 36 | 70 | 700 | 2100 | 6.1 | 10.0 |

THIS DRAWING IS A CONTROLLED DOCUMENT.

| | | | | |
|-------------------|--|--|--|---------------------|
| DIMENSIONS: mm | TOLERANCES UNLESS OTHERWISE SPECIFIED: 0 PLC ± - 1 PLC ± 0.3 2 PLC ± 0.2 3 PLC ± 0.15 4 PLC ± - ANGLES ± ° | DWN CHK APVD | TE Connectivity NAME PCI EXPRESS CARD EDGE CONNECTOR STRADDLE MOUNT TYPE | |
| MATERIAL | FINISH | PRODUCT SPEC APPLICATION SPEC WEIGHT | SIZE A3 | RESTRICTED TO |
| | | CAGE CODE 00779 | DRAWING NO C-1734857 | |
| CUSTOMER DRAWING | | | SCALE | SHEET 4 of 4 REV B3 |