

4

3

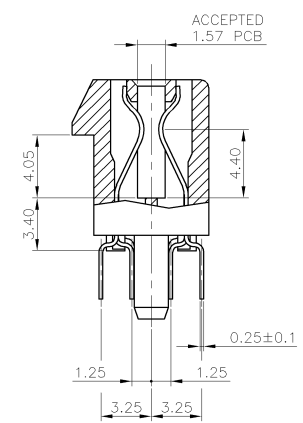
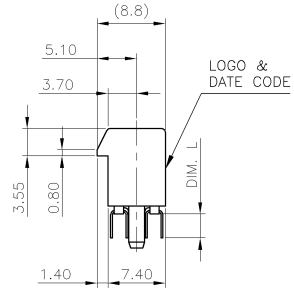
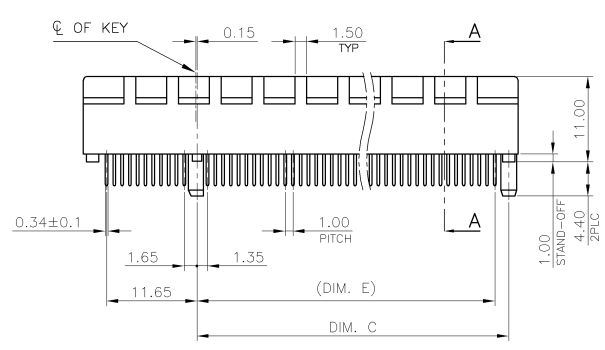
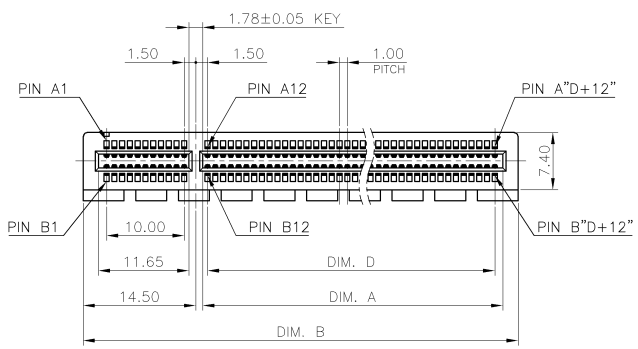
2

1

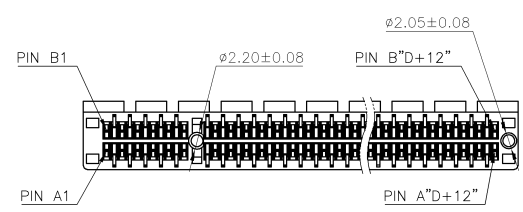
THIS DRAWING IS UNPUBLISHED. RELEASED FOR PUBLICATION AUG. 2006.  
 © COPYRIGHT BY TYCO ELECTRONICS CORPORATION. ALL RIGHTS RESERVED.

LOC	DIST	REVISIONS			
P	LTR	DESCRIPTION	DATE	DWN	APVD
C2		REVISED (ECR-11-008603) DRAWING REDRAW & CORRECT NOTE 3	22APR'11	E.L.	W.K.

- NOTES:
- MATERIAL:
    - 1.1 HOUSING: PA6T WITH 30% G.F, UL94 V-0, COLOR: WHITE (NTARUE).
    - 1.2 CONTACT: COPPER ALLOY (SEE TABLE).
  - FINISH:
    - CONTACT: (SEE TABLE) GOLD PLATING ON CONTACT AREA.
    - 2.54um [100u"] MIN. MATTE-TIN PLATING ON SOLDER TAIL AREA.
    - 1.27um [50u"] MIN. NICKEL UNDERPLATING OVERALL.
  - WAVE SOLDER CAPABLE TO 265°C PER TEST SPEC. 109-202 CONDITION B.
  - WEIGHT:
    - 36 POS.: 2.55 GRAMS;
    - 64 POS.: 3.75 GRAMS;
    - 98 POS.: 5.20 GRAMS;
    - 164 POS.: 8.30 GRAMS;



A-A  
SCALE 2:1



THIS DRAWING IS A CONTROLLED DOCUMENT.		DWN B. HSING 06MAY2009	TE Connectivity		
DIMENSIONS: MM		CHK S. CHIEN 06MAY2009			
TOLERANCES UNLESS OTHERWISE SPECIFIED:		APVD W. KODAMA 06MAY2009	NAME		
0 PLC ± 1 PLC ±0.3 2 PLC ±0.2 3 PLC ±0.15 4 PLC ± ANGLES ±°		PRODUCT SPEC 108-57375	PCI EXPRESS CARD EDGE CONNECTOR VERTICAL, DIP TYPE, 3GIO		
MATERIAL SEE NOTE		APPLICATION SPEC	SIZE A3	CAGE CODE 00779	DRAWING NO C-1734654
FINISH SEE NOTE		WEIGHT SEE NOTE 4	RESTRICTED TO	SCALE -	SHEET 1 OF 4
		CUSTOMER DRAWING	REV C2		

AMP 1470-19 REV 31MAR2000

4

3

2


1

THIS DRAWING IS UNPUBLISHED. RELEASED FOR PUBLICATION AUG. 2006.  
 © COPYRIGHT - BY TYCO ELECTRONICS CORPORATION. ALL RIGHTS RESERVED.

LOC	DIST	REVISIONS				
P	LTR	DESCRIPTION	DATE	DWN	APVD	
		SEE SHEET 1.				

CONTACT MATERIAL	WEIGHT (g)	DIM. L	DIM. E	DIM. D	DIM. C	DIM. B	DIM. A	MIN. GOLD THICKNESS	POS	PART NUMBER
BRASS	8.25	3.10	71.35	70.0	73.15	89	71.65	0.381um [15u"]	164	4-1734654-4
		2.30						4-1734654-3		
		3.10						4-1734654-2		
		2.30						4-1734654-1		
	5.20	3.10	38.35	37.0	40.15	56	38.65	0.381um [15u"]	98	3-1734654-4
		2.30						3-1734654-3		
		3.10						3-1734654-2		
		2.30						3-1734654-1		
	3.70	3.10	21.35	20.0	23.15	39	21.65	0.381um [15u"]	64	2-1734654-4
		2.30						2-1734654-3		
		3.10						2-1734654-2		
		2.30						2-1734654-1		
	2.50	3.10	7.35	6.0	9.15	25	7.65	0.381um [15u"]	36	1-1734654-4
		2.30						1-1734654-3		
		3.10						1-1734654-2		
		2.30						1-1734654-1		

CONTACT MATERIAL	WEIGHT (g)	DIM. L	DIM. E	DIM. D	DIM. C	DIM. B	DIM. A	MIN. GOLD THICKNESS	POS	PART NUMBER
PHOS. BRONZE	8.30	3.10	71.35	70.0	73.15	89	71.65	0.381um [15u"]	164	4-1734654-8
		2.30						4-1734654-7		
		3.10						4-1734654-6		
		2.30						4-1734654-5		
	5.20	3.10	38.35	37.0	40.15	56	38.65	0.381um [15u"]	98	3-1734654-8
		2.30						3-1734654-7		
		3.10						3-1734654-6		
		2.30						3-1734654-5		
	3.75	3.10	21.35	20.0	23.15	39	21.65	0.381um [15u"]	64	2-1734654-8
		2.30						2-1734654-7		
		3.10						2-1734654-6		
		2.30						2-1734654-5		
	2.55	3.10	7.35	6.0	9.15	25	7.65	0.381um [15u"]	36	1-1734654-8
		2.30						1-1734654-7		
		3.10						1-1734654-6		
		2.30						1-1734654-5		

THIS DRAWING IS A CONTROLLED DOCUMENT.		DWN	 TE Connectivity	
DIMENSIONS: MM		CHK		
TOLERANCES UNLESS OTHERWISE SPECIFIED:		APVD	NAME PCI EXPRESS CARD EDGE CONNECTOR VERTICAL, DIP TYPE, 3GIO	
0 PLC ± -		PRODUCT SPEC		
1 PLC ± 0.3		APPLICATION SPEC	SIZE CAGE CODE DRAWING NO RESTRICTED TO A3 00779 C-1734654	
2 PLC ± 0.2		WEIGHT		
3 PLC ± 0.15		CUSTOMER DRAWING	SCALE	SHEET 2 OF 4
4 PLC ± -				REV C2
ANGLES ± °				

4

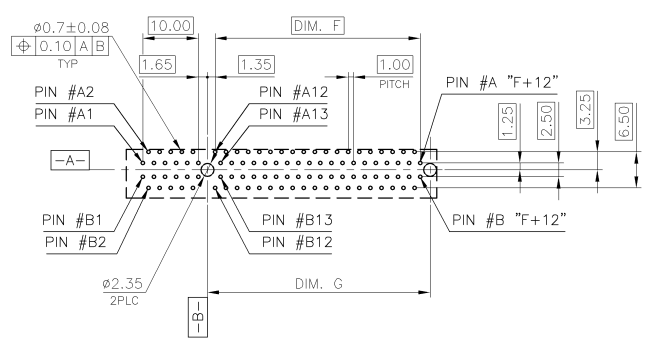
3

2

1

THIS DRAWING IS UNPUBLISHED. RELEASED FOR PUBLICATION AUG. 2006.  
 COPYRIGHT BY TYCO ELECTRONICS CORPORATION. ALL RIGHTS RESERVED.

LOC	DIST	REVISIONS			
P	LTR	DESCRIPTION	DATE	DWN	APVD
DW		SEE SHEET 1.			

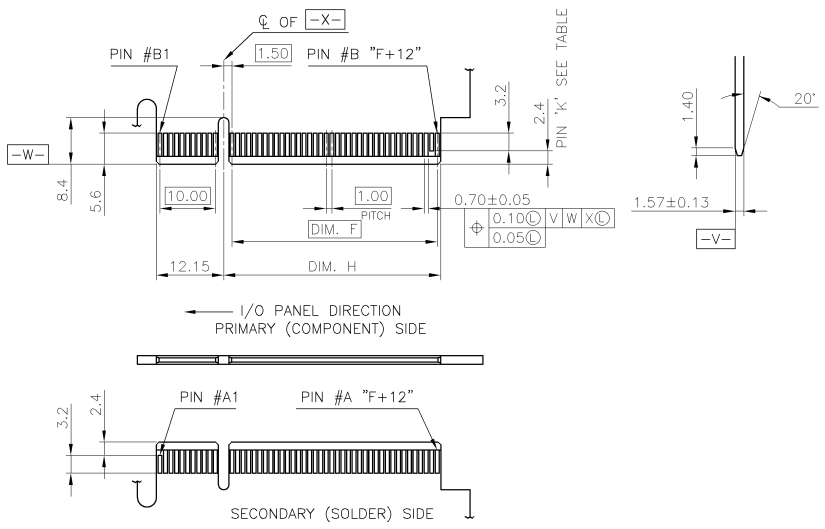


**RECOMMENDED PCB LAYOUT**

TOLERANCE: ±0.05  
 FOR DIM.L=3.1mm, PCB THICKNESS: 2.4mm  
 FOR DIM.L=2.3mm, PCB THICKNESS: 1.6mm

**ADD-IN CARD EDGE-FINGER DIMENSIONS**

NOTES:  
 CHAMFER EDGE MUST BE FREE OF CUTTING BURRS



164	70.0	73.15	72.15	B17, B31, B48, B81
98	37.0	40.15	39.15	B17, B31, B48
64	20.0	23.15	22.15	B17, B31
36	6.0	9.15	8.15	B17
POS.	DIM. F	DIM. G	DIM. H	"K"

THIS DRAWING IS A CONTROLLED DOCUMENT.

DIMENSIONS:	TOLERANCES UNLESS OTHERWISE SPECIFIED:	DWN	CHK	APVD	NAME
MM	0 PLC ± -				TE Connectivity
	1 PLC ± 0.3				PCI EXPRESS CARD EDGE CONNECTOR
	2 PLC ± 0.2				VERTICAL, DIP TYPE, 3GIO
	3 PLC ± 0.15				SIZE CAGE CODE DRAWING NO RESTRICTED TO
	4 PLC ± -				A3 00779 C-1734654
	ANGLES ± 3°				SCALE SHEET 3 of 4 REV C2
MATERIAL	FINISH	WEIGHT	CUSTOMER DRAWING		

4

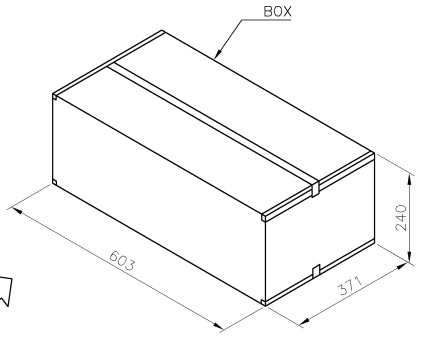
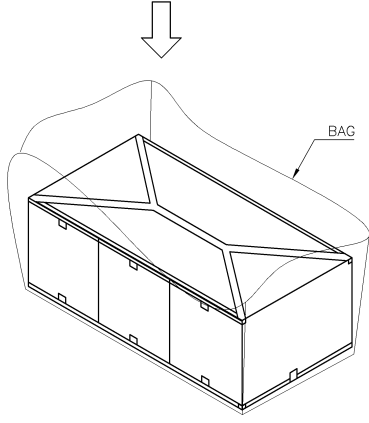
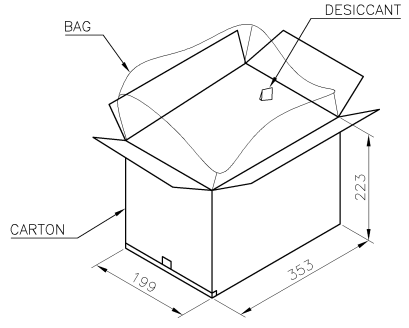
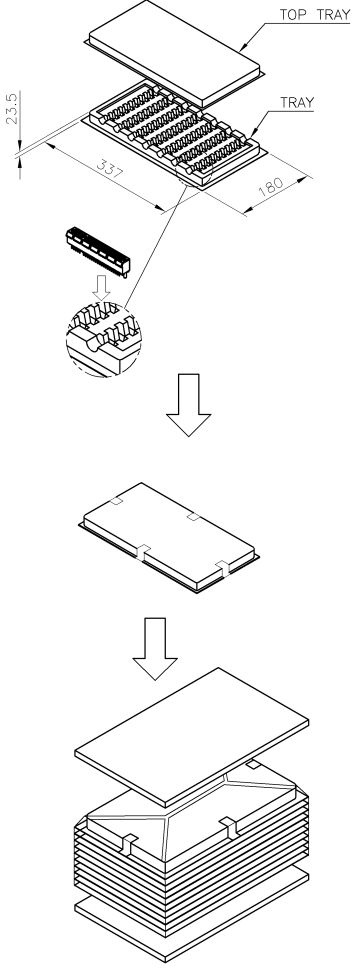
3

2

1

THIS DRAWING IS UNPUBLISHED. RELEASED FOR PUBLICATION AUG. 2006.  
 © COPYRIGHT BY TYCO ELECTRONICS CORPORATION. ALL RIGHTS RESERVED.

LOC	DIST	REVISIONS			
P	LTR	DESCRIPTION	DATE	DWN	APVD
SEE SHEET 1.					



- NOTES :
- MATERIAL :  
 TRAY : PVC, COLOR: TRANSPARENT.  
 CARTON: CORRUGATED FIBER  
 BOX : CORRUGATED FIBER
  - DIMENSION :  
 TRAY: SEE DRAWING  
 CARTON: SEE DRAWING  
 BOX : SEE DRAWING
  - QUANTITY : SEE TABLE
  - WEIGHT : SEE TABLE

10.2 Kg	8.2 Kg	30	10	3	900	164
9.0 Kg	7.0 Kg	40	10	3	1200	98
8.5 Kg	6.5 Kg	60	10	3	1800	64
7.6 Kg	5.6 Kg	70	10	3	2100	36
GROSS WEIGHT	NET WEIGHT	PCS/ TRAY	TRAY/ CARTON	CARTON/ BOX	PCS/ BOX	POS.

THIS DRAWING IS A CONTROLLED DOCUMENT.

DIMENSIONS:	TOLERANCES UNLESS OTHERWISE SPECIFIED:	DWN	CHK	TE Connectivity	
MM	0 PLC ±	APVD	APVD	NAME	
	1 PLC ±0.3	PRODUCT SPEC	PRODUCT SPEC	PCI EXPRESS CARD EDGE CONNECTOR	
	2 PLC ±0.2	APPLICATION SPEC	APPLICATION SPEC	VERTICAL, DIP TYPE, 3GIO	
	3 PLC ±0.15	WEIGHT	WEIGHT	SIZE	CAGE CODE
	4 PLC ±	FINISH	FINISH	A3	00779
MATERIAL	ANGLES ±°	CUSTOMER DRAWING	CUSTOMER DRAWING	DRAWING NO	DRAWING NO
		SCALE	SCALE	©-1734654	RESTRICTED TO
		SHEET	SHEET	4 of 4	REV C2