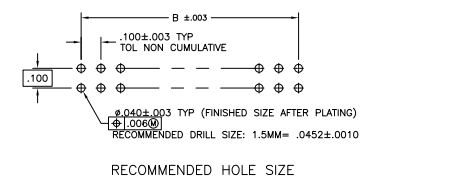
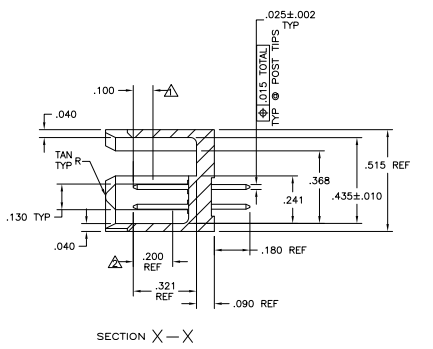
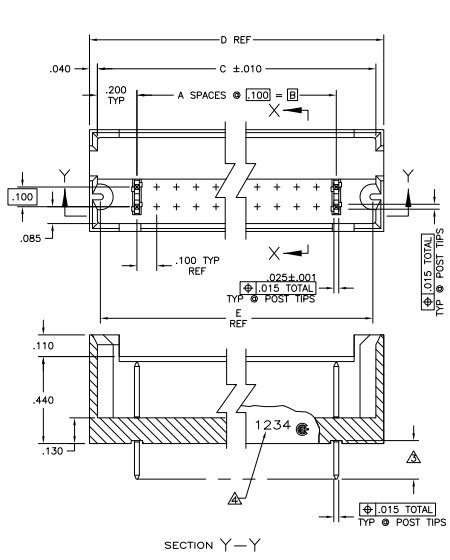


THIS DRAWING IS UNPUBLISHED
 ALL RIGHTS RESERVED

REV	DATE	DESCRIPTION	BY	APP
L4		REVISED PER EDD-11-004587	11MM111	RK HMR



- ▲ POINT OF MEASUREMENT FOR PLATING THICKNESS.
- ▲ FINISH OVER INDICATED AREA: .000030 GOLD OVER .000050 NICKEL.
- ▲ FINISH OVER INDICATED AREA: .000100-.000200 BRIGHT TIN LEAD OVER .000050 NICKEL.
- ▲ RECESSED DATE CODE AND LOGO.
- ▲ OBSOLETE PART NUMBER.
- ▲ PRELIMINARY PART - NOT RELEASED FOR PRODUCTION
- ▲ FINISH OVER INDICATED AREA: .000100-.000200 MATTE TIN OVER .000050 NICKEL.
- ▲ ROHS 2002/95/EC COMPLIANT
- ▲ OBSOLETE PARTS: OBSOLETE CIS STREAMLINING PER D.RENAUD/D.SINIS

REV	DATE	DESCRIPTION	BY	APP		
1.570	1.680	1.600	1.200	12	26	▲7-102692-9
8.270	8.380	8.300	7.900	79	160	▲7-102692-8
4.970	5.080	5.000	4.600	46	94	▲7-102692-7
2.470	2.580	2.500	2.100	21	44	▲7-102692-6
.970	1.080	1.000	.600	6	14	▲7-102692-5
9.270	9.380	9.300	8.900	89	180	▲7-102692-4
6.770	7.780	7.700	7.300	73	148	▲7-102692-3
6.870	6.780	6.700	6.300	63	128	▲7-102692-2
7.270	7.380	7.300	6.900	69	140	▲7-102692-1
6.770	6.880	6.800	6.400	64	130	▲7-102692-0
4.570	4.680	4.600	4.200	42	86	▲6-102692-9
3.870	3.980	3.900	3.500	35	72	▲6-102692-8
1.770	1.880	1.800	1.400	14	30	▲6-102692-7
1.270	1.380	1.300	.900	9	20	▲6-102692-6
1.070	1.180	1.100	.700	7	16	▲6-102692-5
3.770	3.880	3.800	3.400	34	70	▲6-102692-4
2.270	2.380	2.300	1.900	19	40	▲6-102692-3
4.770	4.880	4.800	4.400	44	90	▲6-102692-2
10.270	10.380	10.300	9.900	99	200	▲6-102692-1
5.770	5.880	5.800	5.400	54	110	▲6-102692-0
6.270	6.380	6.300	5.900	59	120	▲5-102692-9
5.270	5.380	5.300	4.900	49	100	▲5-102692-8
5.070	5.180	5.100	4.700	47	96	▲5-102692-7
4.270	4.380	4.300	3.900	39	80	▲5-102692-6
3.270	3.380	3.300	2.900	29	60	▲5-102692-5
2.770	2.880	2.800	2.400	24	50	▲5-102692-4
2.070	2.180	2.100	1.700	17	36	▲5-102692-3
1.470	1.580	1.500	1.100	11	24	▲5-102692-2
.870	.980	.900	.500	5	12	▲5-102692-1
1.570	1.680	1.600	1.200	12	26	▲2-102692-9
8.270	8.380	8.300	7.900	79	160	▲2-102692-8
4.970	5.080	5.000	4.600	46	94	▲2-102692-7
2.470	2.580	2.500	2.100	21	44	▲2-102692-6
.970	1.080	1.000	.600	6	14	▲2-102692-5
9.270	9.380	9.300	8.900	89	180	▲2-102692-4
7.670	7.780	7.700	7.300	73	148	▲2-102692-3
6.870	6.780	6.700	6.300	63	128	▲2-102692-2
7.270	7.380	7.300	6.900	69	140	▲2-102692-1
6.770	6.880	6.800	6.400	64	130	▲2-102692-0
4.570	4.680	4.600	4.200	42	86	▲1-102692-9
3.870	3.980	3.900	3.500	35	72	▲1-102692-8
1.770	1.880	1.800	1.400	14	30	▲1-102692-7
1.270	1.380	1.300	.900	9	20	▲1-102692-6
1.070	1.180	1.100	.700	7	16	▲1-102692-5
3.770	3.880	3.800	3.400	34	70	▲1-102692-4
2.270	2.380	2.300	1.900	19	40	▲1-102692-3
4.770	4.880	4.800	4.400	44	90	▲1-102692-2
10.270	10.380	10.300	9.900	99	200	▲1-102692-1
5.770	5.880	5.800	5.400	54	110	▲1-102692-0
6.270	6.380	6.300	5.900	59	120	102692-9
5.270	5.380	5.300	4.900	49	100	102692-8
5.070	5.180	5.100	4.700	47	96	102692-7
4.270	4.380	4.300	3.900	39	80	102692-6
3.270	3.380	3.300	2.900	29	60	102692-5
2.770	2.880	2.800	2.400	24	50	102692-4
2.070	2.180	2.100	1.700	17	36	102692-3
1.470	1.580	1.500	1.100	11	24	102692-2
.870	.980	.900	.500	5	12	102692-1
E	D	C±.010	B	A	NO. OF POSTS	PART NUMBER

THIS DRAWING IS A CONTROLLED DOCUMENT.

DATE: 01/04/04
 FILE: 00779

THIS DRAWING IS UNPUBLISHED
 ALL RIGHTS RESERVED

REVISIONS: 4.1

DATE: 01/04/04

FILE: 00779

REVISED PER EDD-11-004587

11MM111

RK HMR

TE Connectivity

HEADER ASSEMBLY, MOD B,
 .100C.100CL, .025 SQ POSTS

SIZE: 4.1

DATE: 01/04/04

FILE: 00779

REVISED PER EDD-11-004587

11MM111

RK HMR