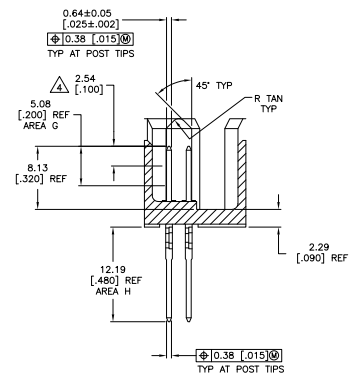
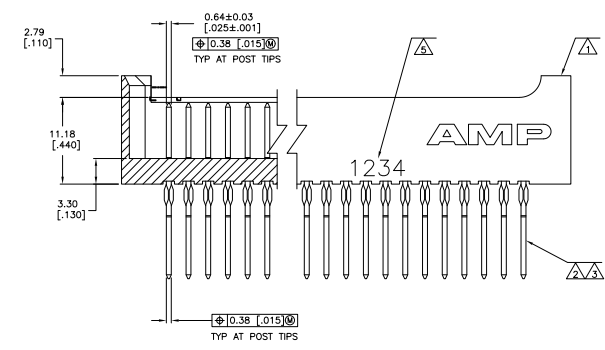
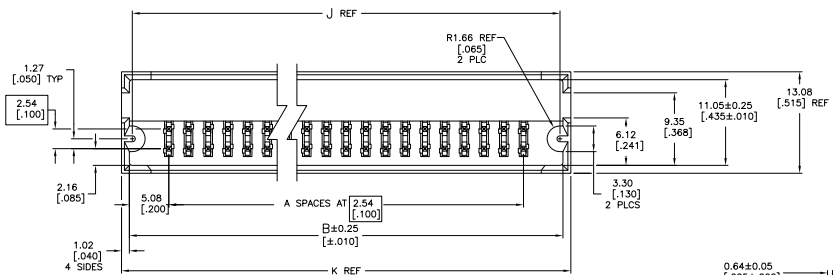
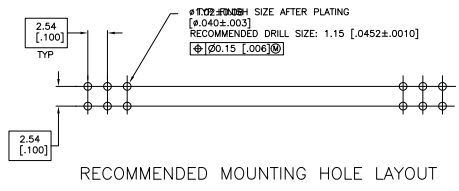


REV	DATE	DESCRIPTION	BY	CHK	APP
1					
2					
3					
4					
5					
6					
7					
8					



SECTION Z-Z
 ROTATED 90° CW



RECOMMENDED MOUNTING HOLE LAYOUT

- △ HOUSING: FLAME RETARDANT THERMOPLASTIC; COLOR: BLACK.
- △ POST: COPPER ALLOY.
- △ POST FINISH: 0.00076 [.000030] GOLD IN AREA G, 0.00038 [.000015] GOLD IN AREA H, ALL OVER 0.00127 [.000050] NICKEL.
- △ POINT OF MEASUREMENT FOR PLATING THICKNESS.
- △ RECESSED DATE CODE.
- 6. CSA LOGO RECESS STAMPED ON HOUSING.

REV	DATE	DESCRIPTION	BY	CHK	APP
1					
2					
3					
4					
5					
6					
7					
8					
9					
10					
11					
12					
13					
14					
15					
16					
17					
18					
19					
20					
21					
22					
23					
24					
25					
26					
27					
28					
29					
30					
31					
32					
33					
34					
35					
36					
37					
38					
39					
40					
41					
42					
43					
44					
45					
46					
47					
48					
49					
50					
51					
52					
53					
54					
55					
56					
57					
58					
59					
60					
61					
62					
63					
64					
65					
66					
67					
68					
69					
70					
71					
72					
73					
74					
75					
76					
77					
78					
79					
80					
81					
82					
83					
84					
85					
86					
87					
88					
89					
90					
91					
92					
93					
94					
95					
96					
97					
98					
99					
100					

THIS DRAWING IS A CONTROLLED DOCUMENT. **AMP** TYSO ELECTRONICS CORPORATION
 HARRISBURG, PA 17102-3608
 DRAWING NO: 100779G-102666
 REV: 1
 DATE: 07-01-2003
 TITLE: HEADER ASSY, MOD B, DOUBLE ROW, 2.54 X 2.54 [100 X .100] CL, 0.64 [0.025] SQ COMPLIANT POST, FOR DIMOS 2.36 [0.93] NOM & THICKER
 CUSTOMER DRAWING