

4

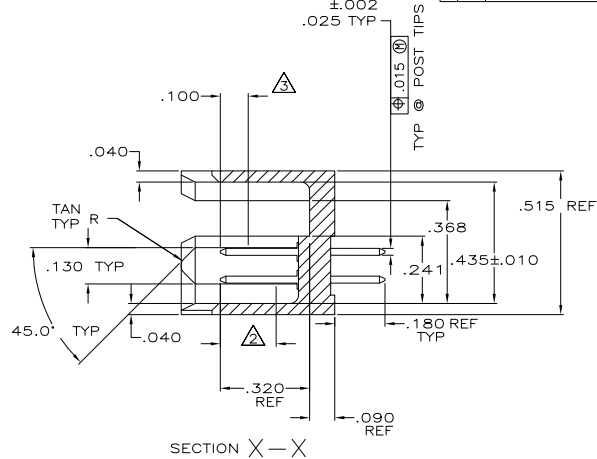
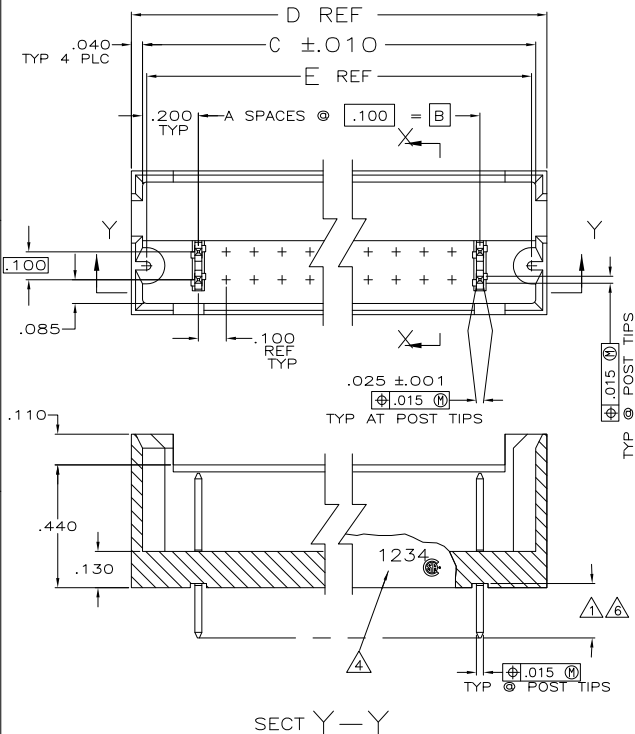
3

2

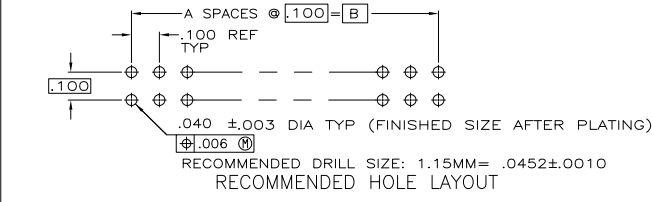
1

THIS DRAWING IS UNPUBLISHED. RELEASED FOR PUBLICATION. ALL RIGHTS RESERVED.

LOC		DIST		REVISIONS			
F	LN	DESCRIPTION	DATE	BY	APP		
NS		REVISED PER ECO-11-004587	11MAR11	RK	HMR		



- △ FINISH OVER INDICATED AREA: .000100-.000200 BRIGHT TIN LEAD OVER .000050 NICKEL.
- △ FINISH OVER INDICATED AREA: .000015 GOLD OVER .000050 NICKEL.
- △ POINT OF MEASUREMENT FOR PLATING THICKNESS.
- △ RECESSED DATE CODE AND CSA LOGO.
- △ OBSOLETE PART NUMBER.
- △ FINISH OVER INDICATED AREA: .000100-.000200 MATTE TIN OVER .000050 NICKEL.
- △ PRELIMINARY PART.
- △ ROHS 2002/95/EC COMPLIANT
- △ HEADER: GLASS-FILLED, FLAME RETARDANT THERMOPLASTIC COLOR: BLACK POST: COPPER ALLOY
- △ OBSOLETE PARTS: OBSOLETE CIS STREAMLINING PER D.RENAUD/D.SINISI



THIS DRAWING IS A CONTROLLED DOCUMENT.		DRN D. HAYMAKER 30MARCH	TE Connectivity
DIMENSIONS: mm		CHK J. GESEFORD 30MARCH	TE Connectivity
TOLERANCES UNLESS OTHERWISE SPECIFIED:		APP J. GESEFORD 30MARCH	NAME HEADER ASSEMBLY, MOD II, .100 X .100CL
0 PLC ± .-	1 PLC ± .-	PRODUCT SPEC	SIZE CASE CODE DRAWING NO
2 PLC ± .005	3 PLC ± .005	APPLICATION SPEC	A2 00779 C=102567
4 PLC ± .-	ANGLES ± .-	WEIGHT	RESTRICTED TO
MATERIAL	FINISH	SEE NOTES	CUSTOMER DRAWING
		SCALE	4:1 SHEET 1 of 2 REV N5

1471-9 (3/11)

102567

A

4

3

2

1

THIS DRAWING IS UNPUBLISHED. RELEASED FOR PUBLICATION. ALL RIGHTS RESERVED.

LOC	DIST	REVISIONS				
AD	00	F	LR	DATE	BY	APPD
		-	SEE SHEET 1	-	-	-

10 OBSOLETE	1.870	1.980	1.900	1.500	15	32	7-102567-9
10 OBSOLETE	9.270	9.380	9.300	8.900	89	180	7-102567-8
10 OBSOLETE	7.670	7.780	7.700	7.300	73	148	7-102567-7
10 OBSOLETE	6.670	6.780	6.700	6.300	63	128	7-102567-6
10 OBSOLETE	4.970	5.080	5.000	4.600	46	94	7-102567-5
10 OBSOLETE	2.470	2.580	2.500	2.100	21	44	7-102567-4
10 OBSOLETE	.970	1.080	1.000	.600	6	14	7-102567-3
10 OBSOLETE	8.270	8.380	8.300	7.900	79	160	7-102567-2
10 OBSOLETE	10.270	10.380	10.300	9.900	99	200	7-102567-1
10 OBSOLETE	7.270	7.380	7.300	6.900	69	140	7-102567-0
10 OBSOLETE	6.770	6.880	6.800	6.400	64	130	6-102567-9
10 OBSOLETE	1.070	1.180	1.100	.700	7	16	6-102567-8
10 OBSOLETE	4.570	4.680	4.600	4.200	42	86	6-102567-7
10 OBSOLETE	3.870	3.980	3.900	3.500	35	72	6-102567-6
10 OBSOLETE	5.770	5.880	5.800	5.400	54	110	6-102567-5
10 OBSOLETE	4.770	4.880	4.800	4.400	44	90	6-102567-4
10 OBSOLETE	1.770	1.880	1.800	1.400	14	30	6-102567-3
10 OBSOLETE	2.270	2.380	2.300	1.900	19	40	6-102567-2
10 OBSOLETE	1.270	1.380	1.300	.900	9	20	6-102567-1
10 OBSOLETE	3.770	3.880	3.800	3.400	34	70	6-102567-0
10 OBSOLETE	5.270	5.380	5.300	4.900	49	100	5-102567-9
10 OBSOLETE	4.270	4.380	4.300	3.900	39	80	5-102567-8
10 OBSOLETE	6.270	6.380	6.300	5.900	59	120	5-102567-7
10 OBSOLETE	2.770	2.880	2.800	2.400	24	50	5-102567-6
10 OBSOLETE	5.070	5.180	5.100	4.700	47	96	5-102567-5
10 OBSOLETE	3.270	3.380	3.300	2.900	29	60	5-102567-4
10 OBSOLETE	2.070	2.180	2.100	1.700	17	36	5-102567-3
10 OBSOLETE	1.470	1.580	1.500	1.100	11	24	5-102567-2
10 OBSOLETE	.870	.980	.900	.500	5	12	5-102567-1
FINISH	E	D	C	B	A	NO. OF POSN	PART NUMBER

SUPERSEDED BY 5-102567-1

10 OBSOLETE	1.870	1.980	1.900	1.500	15	32	3-102567-0
10 OBSOLETE	9.270	9.380	9.300	8.900	89	180	2-102567-9
10 OBSOLETE	7.670	7.780	7.700	7.300	73	148	2-102567-8
10 OBSOLETE	6.670	6.780	6.700	6.300	63	128	2-102567-7
10 OBSOLETE	4.970	5.080	5.000	4.600	46	94	2-102567-6
10 OBSOLETE	2.470	2.580	2.500	2.100	21	44	2-102567-5
10 OBSOLETE	.970	1.080	1.000	.600	6	14	2-102567-4
10 OBSOLETE	8.270	8.380	8.300	7.900	79	160	2-102567-3
10 OBSOLETE	10.270	10.380	10.300	9.900	99	200	2-102567-2
10 OBSOLETE	7.270	7.380	7.300	6.900	69	140	2-102567-1
10 OBSOLETE	6.770	6.880	6.800	6.400	64	130	1-102567-9
10 OBSOLETE	1.070	1.180	1.100	.700	7	16	1-102567-8
10 OBSOLETE	4.570	4.680	4.600	4.200	42	86	1-102567-7
10 OBSOLETE	3.870	3.980	3.900	3.500	35	72	1-102567-6
10 OBSOLETE	5.770	5.880	5.800	5.400	54	110	1-102567-5
10 OBSOLETE	4.770	4.880	4.800	4.400	44	90	1-102567-4
10 OBSOLETE	1.770	1.880	1.800	1.400	14	30	1-102567-3
10 OBSOLETE	2.270	2.380	2.300	1.900	19	40	1-102567-2
10 OBSOLETE	1.270	1.380	1.300	.900	9	20	1-102567-1
10 OBSOLETE	3.770	3.880	3.800	3.400	34	70	1-102567-0
10 OBSOLETE	5.270	5.380	5.300	4.900	49	100	102567-9
10 OBSOLETE	4.270	4.380	4.300	3.900	39	80	102567-8
10 OBSOLETE	6.270	6.380	6.300	5.900	59	120	102567-7
10 OBSOLETE	2.770	2.880	2.800	2.400	24	50	102567-6
10 OBSOLETE	5.070	5.180	5.100	4.700	47	96	102567-5
10 OBSOLETE	3.270	3.380	3.300	2.900	29	60	102567-4
10 OBSOLETE	2.070	2.180	2.100	1.700	17	36	102567-3
10 OBSOLETE	1.470	1.580	1.500	1.100	11	24	102567-2
10 OBSOLETE	.870	.980	.900	.500	5	12	102567-1
FINISH	E	D	C	B	A	NO. OF POSN	PART NUMBER

THIS DRAWING IS A CONTROLLED DOCUMENT.

DIMENSIONS: mm	TOLERANCES UNLESS OTHERWISE SPECIFIED: 0 PLG ± .01 1 PLG ± .01 2 PLG ± .005 3 PLG ± .005 4 PLG ± .01 ANGLES ± .1	DWG BY: HAYMAKER 30MAR00 CHK: J. GESEFORD 30MAR00 DATE: J. GESEFORD 30MAR00 PRODUCT SPEC: --- APPLICATION SPEC: --- WEIGHT: ---	TE TE Connectivity HEADER ASSEMBLY, MOD II, .100 X .100CL SIZE: CASE CODE: DRAWING NO: A2 00779 C=102567 RESTRICTED TO: ---
MATERIAL: ---	FINISH: ---	SEE NOTES	CUSTOMER DRAWING SCALE: 4:1 SHEET 2 of 2 REV: N5