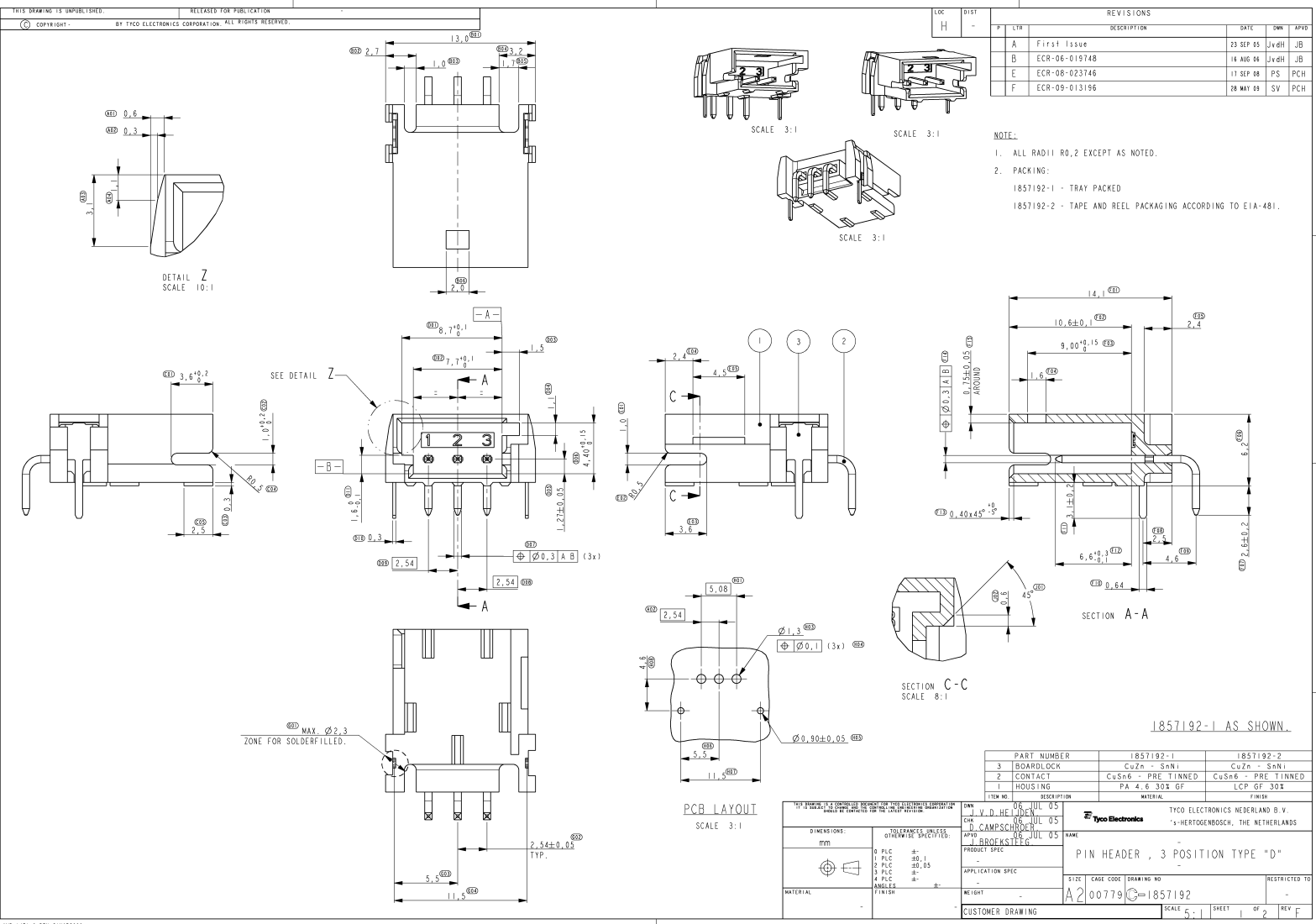


4

3

2

1



REVISED		REVISIONS		DATE	OWN	APPD
P	LET	DESCRIPTION				
A		First Issue		23 SEP 85	JvdH	JB
B		ECR-06-019748		16 AUG 86	JvdH	JB
E		ECR-08-023746		17 SEP 88	PS	PCH
F		ECR-09-013196		28 MAY 89	SV	PCH

NOTE:
 1. ALL RADII R0,2 EXCEPT AS NOTED.
 2. PACKING:
 1857192-1 - TRAY PACKED
 1857192-2 - TAPE AND REEL PACKAGING ACCORDING TO EIA-481.

PART NUMBER		1857192-1	1857192-2
3	BOARDLOCK	CUZn - SnNi	CUZn - SnNi
2	CONTACT	CUSn6 - PRE TINNED	CUSn6 - PRE TINNED
1	HOUSING	PA 4.8 30% GF	LCP GF 30%
ITEM NO.	RECEPTION	MATERIAL	
		FINISH	

1857192-1 AS SHOWN.

DATE	06 JUL 05	BY	J.V.D. HEIJEN
CHK	05 JUL 05	BY	B. CAMPSCHROEDER
APPV	05 JUL 05	BY	T. BROEKSTEEG
PRODUCT SPEC		NAME	
APPLICATION SPEC		SCALE	
WEIGHT		SHEET	1 OF 2
CUSTOMER DRAWING		REV	F

4

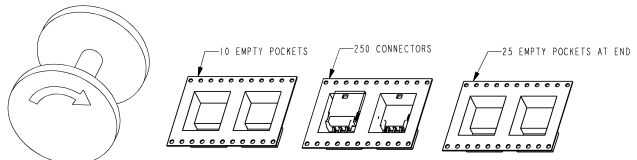
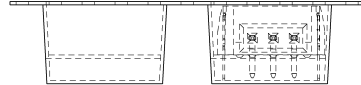
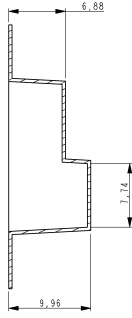
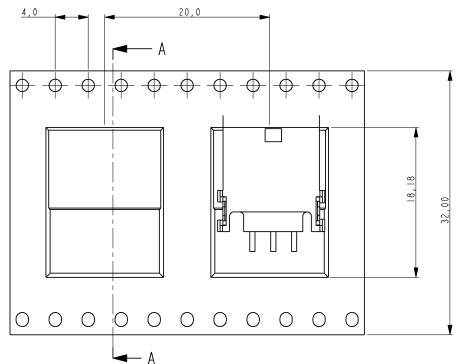
3

2

1

THIS DRAWING IS UNPUBLISHED. RELEASED FOR PUBLICATION
 BY TYCO ELECTRONICS CORPORATION. ALL RIGHTS RESERVED.

LOC	DIST	REV	DATE	APPD
H	-	-	-	-



REEL OF 330MM DIA

1857192-2 AS SHOWN

DIMENSIONS: mm 		0 PLC ±0.1 1 PLC ±0.1 2 PLC ±0.05 3 PLC ±0.1 4 PLC ±0.1 ANGLES ±0.1 FINISH	DWN 05 JUL 05 J.V.D. HEIJEN D. CAMPSCHROER J. BROEKSTIJT DATE 05 JUL 05 NAME PRODUCT SPEC APPLICATION SPEC WEIGHT CUSTOMER DRAWING	 TYCO ELECTRONICS NEDERLAND B.V. 1 HERTOGENBOSCH, THE NETHERLANDS PIN HEADER, 3 POSITION TYPE "D" FILE CASE CODE DRAWING NO A200779 C=1857192 SCALE 3:1 SHEET 2 OF 2 REV F	RESTRICTED TO -
-----------------------	--	----------------------------------------------------------------------------------------------	---------------------------------------------------------------------------------------------------------------------------------------------------------------	----------------------------------------------------------------------------------------------------------------------------------------------------------------------------------------------	--------------------