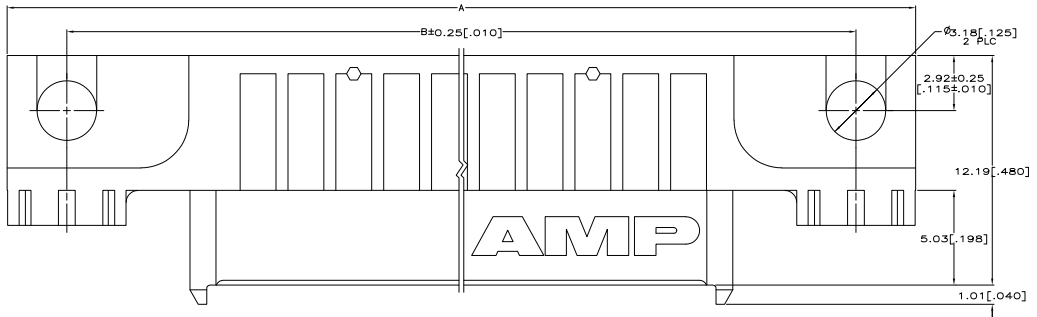
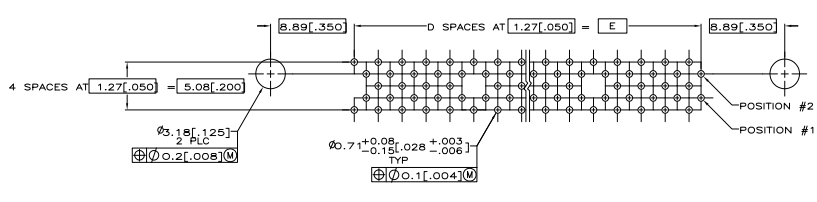
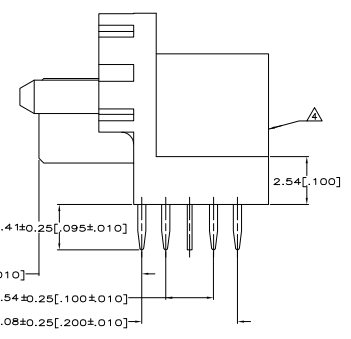
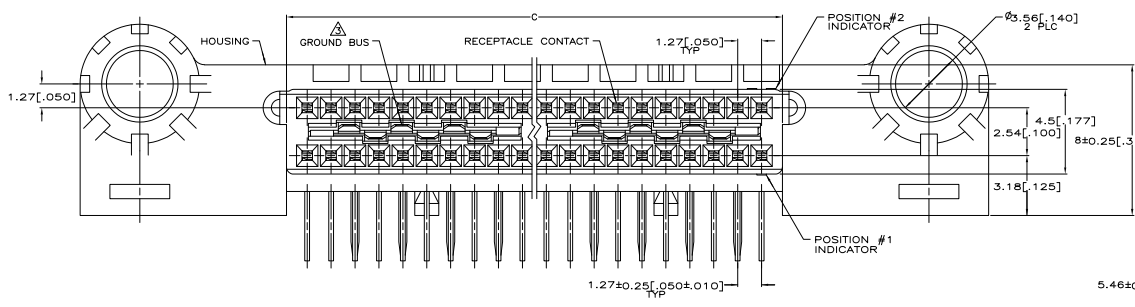


REV	DATE	DESCRIPTION	BY	CHK	APP
AD 47					
L		REV PER 5312-003-01			11-8-05 CUL DRD



- △ MOLDED PARTS: HIGH TEMPERATURE THERMOPLASTIC, COLOR NATURAL. RECEPTACLE CONTACTS: PHOSPHOR BRONZE. GROUND BUSSES: PHOSPHOR BRONZE.
- △ RECEPTACLE CONTACTS: 0.00076[.000030] MIN GOLD IN CONTACT AREA. 0.00254-0.00762[.000100-.000300] TIN-LEAD ON SOLDER TAIL. ALL OVER 0.00127-0.00254[.000050-.000100] NICKEL ON ENTIRE CONTACT.
- △ GROUND BUSSES: 0.00076[.000030] MIN GOLD IN CONTACT AREA. 0.00254-0.00762[.000100-.000300] TIN-LEAD ON SOLDER TAIL. ALL OVER 0.00127-0.00254[.000050-.000100] NICKEL ON ENTIRE BUS.
- △ ONE GROUND BUS WITH 4 TAILS PER EACH 20 RECEPTACLE CONTACTS.
- △ ASSEMBLIES 140 POSITIONS OR SMALLER HAVE A ONE PIECE ORGANIZER. ASSEMBLIES 160 POSITIONS OR LARGER HAVE MULTIPLE ORGANIZERS OF 40 AND/OR 60 POSITIONS.



RECOMMENDED PC BOARD HOLE LAYOUT (VIEWED FROM CONNECTOR SIDE)

	E	D	C	B	A	NO OF POS	PART NUMBER
	24.13 [0.950]	19	26.34 [1.037]	41.91 [1.650]	48.26 [1.900]	40	536296-9
OBSOLETE	151.13 [5.950]	119	153.34 [6.037]	168.91 [6.650]	175.26 [6.900]	240	536296-8
OBSOLETE	138.43 [5.450]	109	140.64 [5.537]	156.21 [6.150]	162.56 [6.400]	220	536296-7
OBSOLETE	125.73 [4.950]	99	127.94 [5.037]	143.51 [5.650]	149.86 [5.900]	200	536296-6
OBSOLETE	113.03 [4.450]	89	115.24 [4.537]	130.81 [5.150]	137.16 [5.400]	180	536296-5
OBSOLETE	100.33 [3.950]	79	102.54 [4.037]	118.11 [4.650]	124.46 [4.900]	160	536296-4
OBSOLETE	87.63 [3.450]	69	89.84 [3.537]	105.41 [4.150]	111.76 [4.400]	140	536296-3
OBSOLETE	74.93 [2.950]	59	77.14 [3.037]	92.71 [3.650]	99.06 [3.900]	120	536296-2
OBSOLETE	62.23 [2.450]	49	64.44 [2.537]	80.01 [3.150]	86.36 [3.400]	100	536296-1

THIS DRAWING IS A CONTROLLED DOCUMENT. IN REFERENCE TO THE DRAWING, THE FOLLOWING INFORMATION APPLIES: DRAWING NO. 108-1272, REV. 001. DATE 11-30-82. THIS DRAWING IS THE PROPERTY OF AMP, INC. IT IS TO BE KEPT IN CONFIDENCE AND NOT TO BE REPRODUCED OR TRANSMITTED IN ANY FORM OR BY ANY MEANS, ELECTRONIC OR MECHANICAL, INCLUDING PHOTOCOPYING, RECORDING, OR BY ANY INFORMATION STORAGE AND RETRIEVAL SYSTEM. WITHOUT PERMISSION IN WRITING FROM AMP, INC. THIS DRAWING IS NOT TO BE USED FOR ANY OTHER PURPOSE.

THIS DRAWING IS A CONTROLLED DOCUMENT. IN REFERENCE TO THE DRAWING, THE FOLLOWING INFORMATION APPLIES: DRAWING NO. 108-1272, REV. 001. DATE 11-30-82. THIS DRAWING IS THE PROPERTY OF AMP, INC. IT IS TO BE KEPT IN CONFIDENCE AND NOT TO BE REPRODUCED OR TRANSMITTED IN ANY FORM OR BY ANY MEANS, ELECTRONIC OR MECHANICAL, INCLUDING PHOTOCOPYING, RECORDING, OR BY ANY INFORMATION STORAGE AND RETRIEVAL SYSTEM. WITHOUT PERMISSION IN WRITING FROM AMP, INC. THIS DRAWING IS NOT TO BE USED FOR ANY OTHER PURPOSE.

RECEPTACLE ASSEMBLY WITH GUIDES, RIGHT ANGLE, 2.41(96) TAIL, BOARD TO BOARD

AMP 488 REV 3/2000