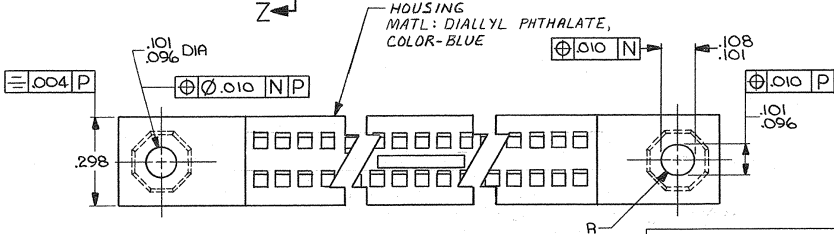
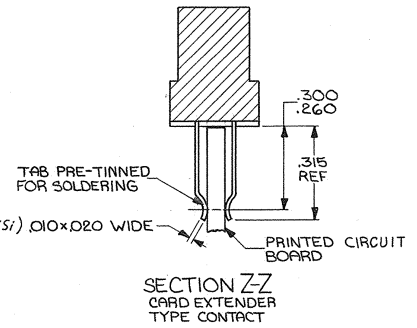
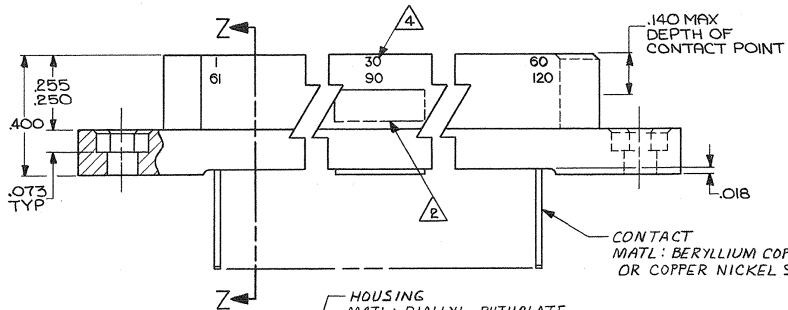
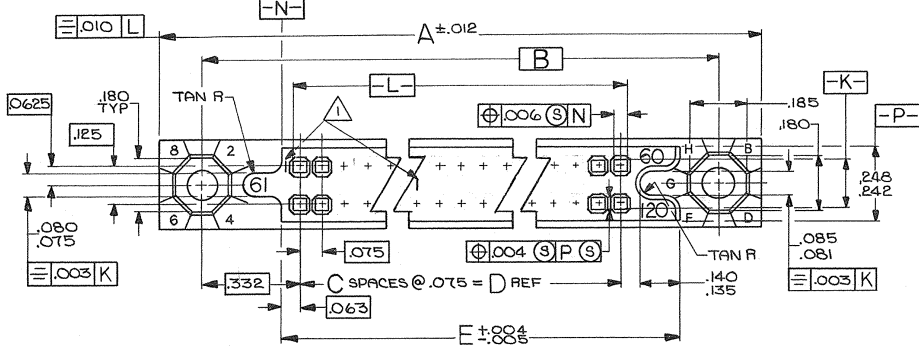


DRAWING MADE IN THIRD ANGLE PROJECTION

© COPYRIGHT 19 BY AMP INCORPORATED, HARRISBURG, PA.
ALL INTERNATIONAL RIGHTS RESERVED. AMP INCORPORATED PRODUCTS
COVERED BY U. S. AND FOREIGN PATENTS AND/OR PATENTS PENDING.

LOC 39
AB 39

REVISIONS					
P	F	ZONE LTR	DESCRIPTION	DATE	APPROVED
		E	ECO-08-020831	PY 10-08	BW



- 1. NUMBERS (SEE TABLE) AND LINES INDICATING EVERY FIVE (5) CAVITIES MARKED ON MATING FACE
- 2. IDENTIFICATION MARKINGS PER MIL-C-55302 (SEE TABLE), IN ADDITION TO AMP, PART NUMBER, AND DATE CODE.
- 3. MUST MEET ALL APPLICABLE REQUIREMENTS OF MIL-C-55302.
- 4. NUMBERS INDICATING EVERY FIVE (5) CAVITIES MARKED ON SIDE.
- 5. FINISH: .00050 GOLD IN CONTACT AREA, TIN-LEAD ON SOLDER TAILS, ALL OVER NICKEL UNDERPLATE

UNLESS OTHERWISE SPECIFIED DIMENSIONS ARE IN INCHES. TOLERANCES ON: DECIMALS ± .005 ANGLES ±		CONTRACT NO 10-16-79	PART NO	
MATERIAL SEE CALLOUTS	DR <i>AM SHARPE</i>	CHK <i>John W. Dink</i> 11/17	AMP AMP INCORPORATED Harrisburg, Pa.	
FINISH RCPT CONTACTS: 5	APPD <i>John W. Dink</i> 11/77	APPD <i>John W. Dink</i> 11/77	NAME RCPT ASSY, 750 SERIES BOX CARD EXTENDER, WITH EXTERNAL KEYING	
	DSGN APPD <i>John W. Dink</i> 11/77	OTHER APPD	SIZE CODE IDENT NO DRAWING NO C 00779 531148	REV E
	SCALE 4:1		SHEET 1 OF 2	

CUSTOMER DRAWING

AMP 1471-S REV 12-78

531148

DRAWING MADE IN THIRD ANGLE PROJECTION

3

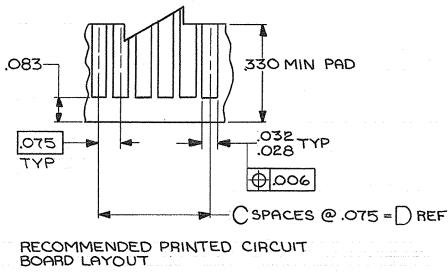
2

1

LGS DIST
AB 39

© COPYRIGHT 19 BY AMP INCORPORATED, HARRISBURG, PA.
ALL INTERNATIONAL RIGHTS RESERVED, AMP INCORPORATED PRODUCTS
COVERED BY U. S. AND FOREIGN PATENTS AND/OR PATENTS PENDING.

REVISIONS					
P	F	ZONE/LTR	DESCRIPTION	DATE	APPROVED
SEE SHEET 1					



M5502/25-32	1	90	6.940	6.675	89	7.340	7.630	180	531148-4
M55302/25-28	1	80	6.190	5.925	79	6.590	6.880	160	-3
M55302/25-24	1	75	5.815	5.550	74	6.215	6.505	150	-2
M55302/25-20	1	60	4.690	4.425	59	5.090	5.380	120	531148-1
IDENT MARKING M55302	CONTACT IDENT NO		E	D	C	B	A	NO OF CONTACTS	PART NO
UNLESS OTHERWISE SPECIFIED DIMENSIONS ARE IN INCHES. TOLERANCES ON: DECIMALS ± .005 ANGLES		CONTRACT NO 10-16-79		AMP AMP INCORPORATED Harrisburg, Pa.					
MATERIAL		DR A.M. SHARPE		NAME RCPT ASSY, 750 SERIES BOX CARD EXTENDER, WITH EXTERNAL KEYING					
FINISH		CHR R. W. Duffin 11/17/78		APPROVED R. W. Duffin 11/17/78					
		APPD C. W. Vengert 11/17/78		DSGN APPD		SIZE CODE IDENT NO DRAWING NO		REV	
		OTHER APPD		C 00779		531148		E	
				SCALE 4:1		SHEET		2	

CUSTOMER DRAWING

AMP 1471-6 REV 12-78

531148