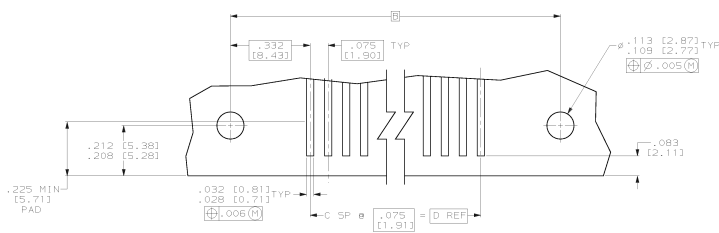


DRAWING MADE IN THIRD ANGLE PROJECTION  
 THIS DRAWING IS UNPUBLISHED. RELEASED FOR PUBLICATION  
 © COPYRIGHT 19 BY AMP INCORPORATED. ALL INTERNATIONAL RIGHTS RESERVED.

REV	NO	DATE	BY	CHK	LTR	DESCRIPTION	DATE	APPD
	K	REV PER 0630-0437-02	CT				3-03	DM



RECOMMENDED P.C. BOARD LAYOUT

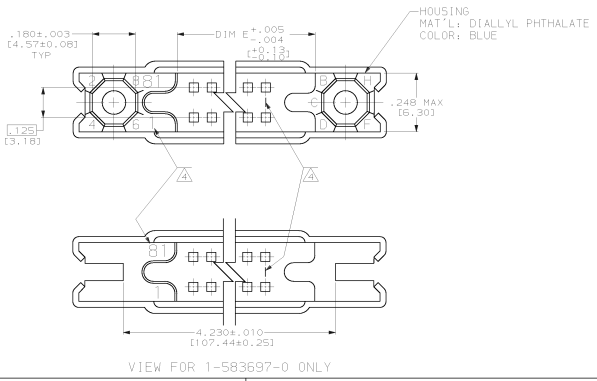
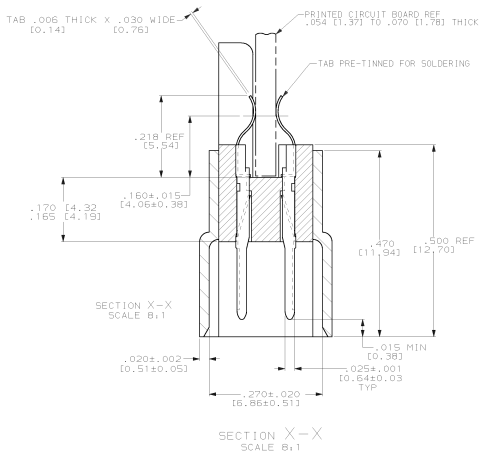
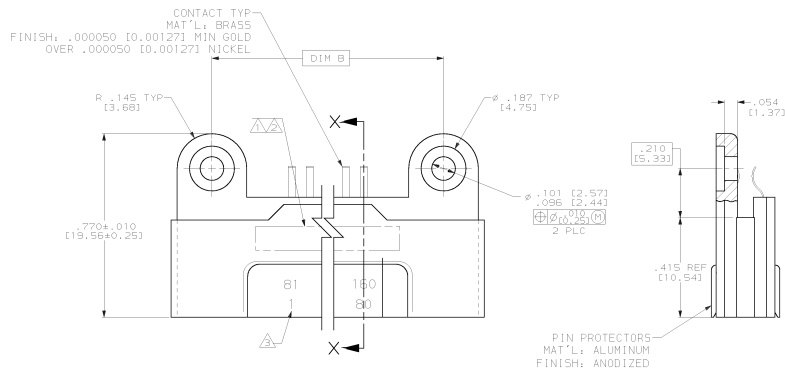
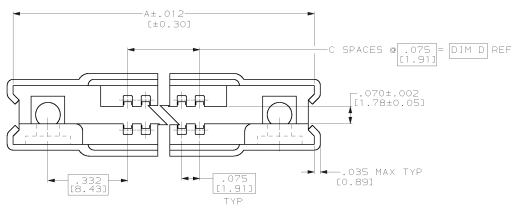
MARKING	CUSTOMER PART NO.	CAVITY IDENT	E	D	C	B	A	NUMBER OF POSITIONS	PART NUMBER
△△△	23524/23-08	41 - 1	3,200 (81,281)	2,925 (74,301)	39	3,590 (91,191)	3,860 (98,551)	80	1-583697-9
△△△	23524/23-07	36 - 1	2,825 (71,761)	2,950 (74,771)	34	3,215 (81,761)	3,505 (89,031)	70	1-583697-8
△△△	23524/23-06	31 - 1	2,450 (62,231)	2,175 (55,251)	29	2,840 (72,141)	3,130 (79,601)	60	1-583697-7
△△△	23524/23-05	26 - 1	2,075 (52,711)	1,800 (45,731)	24	2,465 (62,611)	2,755 (69,981)	50	1-583697-6
OBSOLETE	-	91 - 1	3,500 (89,501)	3,225 (82,521)	89	3,905 (99,411)	4,195 (106,881)	180	1-583697-5
OBSOLETE	-	81 - 1	3,125 (79,481)	2,850 (72,501)	79	3,525 (89,391)	3,815 (96,761)	160	1-583697-4
OBSOLETE	-	76 - 1	2,750 (70,501)	2,475 (62,521)	74	3,150 (79,761)	3,440 (87,231)	150	1-583697-3
OBSOLETE	-	61 - 1	2,375 (60,521)	2,100 (53,541)	59	2,790 (71,231)	3,080 (78,101)	120	1-583697-2
OBSOLETE	-	56 - 1	1,995 (50,861)	1,720 (43,881)	54	2,415 (61,761)	2,705 (68,931)	110	1-583697-1
OBSOLETE	-	51 - 1	1,620 (41,341)	1,345 (34,361)	49	2,040 (51,761)	2,330 (58,931)	100	1-583697-0
OBSOLETE	-	46 - 1	1,245 (31,861)	970 (24,881)	44	1,665 (42,231)	1,955 (49,701)	90	583697-9
OBSOLETE	-	41 - 1	870 (22,141)	595 (15,161)	39	1,285 (32,611)	1,575 (39,981)	80	583697-8
OBSOLETE	-	36 - 1	495 (12,521)	220 (5,541)	34	705 (17,761)	995 (25,231)	70	583697-7
OBSOLETE	-	31 - 1	115 (2,931)	-40 (10,251)	29	165 (4,141)	455 (11,601)	60	583697-6
OBSOLETE	-	26 - 1	-15 (3,911)	-120 (30,271)	24	65 (1,611)	355 (8,971)	50	583697-5
OBSOLETE	-	21 - 1	1,700 (43,181)	1,425 (36,201)	19	2,090 (52,991)	2,380 (60,461)	40	583697-4
OBSOLETE	-	16 - 1	1,325 (33,661)	1,050 (26,681)	14	1,715 (43,561)	2,005 (51,031)	30	583697-3
OBSOLETE	-	11 - 1	750 (19,011)	475 (12,031)	9	1,340 (34,041)	1,630 (41,491)	20	583697-2
OBSOLETE	-	6 - 1	375 (9,511)	100 (2,521)	4	565 (14,211)	855 (21,681)	10	583697-1

- △ 00779, DATE CODE, AMP PART NO. AND AMP MARKED IN THIS AREA.
- △ CUSTOMER PART NO., AMP DATE CODE AND AMP PART NO. MARKED IN THIS AREA.
- △ CAVITY IDENT. NUMBERS INDICATING EVERY 5 CAVITIES MARKED ON PIN PROTECTOR SURFACE. (EXCEPT FOR 10 POSN.)
- △ CAVITY IDENT NUMBERS (SEE TABLE) AND LINES INDICATING EVERY 5 CAVITIES MARKED AS SHOWN.
- 5. MEETS ALL APPLICABLE REQUIREMENTS OF MIL-C-55302.

DR 5-12-97 C.L. THOMAS	NAME	AMP AMP Incorporated Horshurst, PA 17105-3608
DR 6-17-97 D. MILLER	NAME	
APPD 6-17-97 C.L. THOMAS	NAME	
MATERIAL	ALSE 6-17-97 C.L. THOMAS	
FINISH	APPLICATION SPEC	SIZE D
WEIGHT		PAGE CODE 00779
		DRAWING NO. 583697
		SCALE 5:1
		SHEET 1 OF 2

CUSTOMER DRAWING

REV	DATE	DESCRIPTION	DATE	APPD
1		SEE SHEET #1		



DO NOT SCALE PRINT. UNLESS SPECIFIED. DIMENSIONS IN INCHES (MM) TOLERANCES ON + 2 PLZ DEC # .005 (0.13) MINUS -	DR 5-12-57 C.C. THOMAS CHK 5-17-57 D. MILLER APPD 5-17-57 C.C. THOMAS	AMP Incorporated Harrisburg, PA 17105-3608
MATERIAL -	BLSE 5-17-57 C.C. THOMAS PRODUCT SPEC -	
FINISH -	APPLICATION SPEC -	SIZE 00779
WEIGHT -	SCALE 5:1	DRAWING NO. 583697 SHEET 2 OF 2

CUSTOMER DRAWING