

4

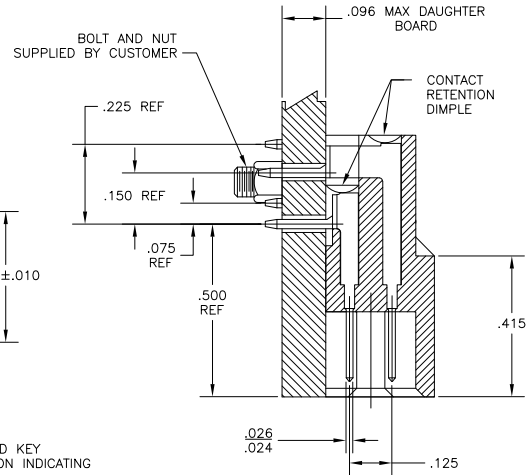
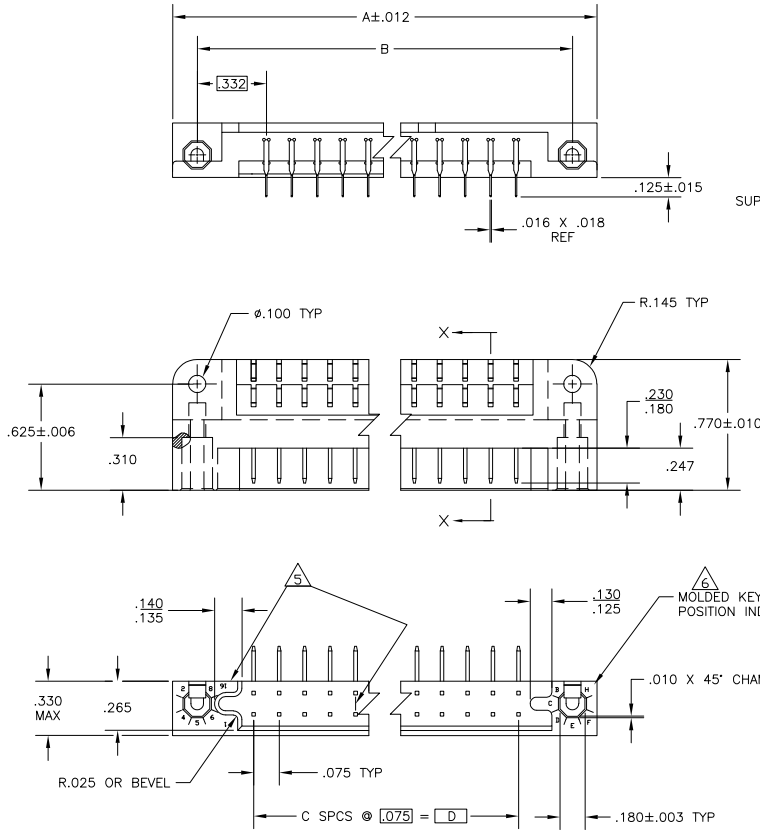
3

2

1

THIS DRAWING IS UNPUBLISHED. RELEASED FOR PUBLICATION
 © COPYRIGHT BY TYCO ELECTRONICS CORPORATION. ALL RIGHTS RESERVED.

LOC		DISTR		REVISIONS			
P	LTR	DESCRIPTION	DATE	MIN	APPRO		
D		REV PER EDD 06-015613	18JAN06	BL	CCT		



THIS DRAWING IS A CONTROLLED DOCUMENT.		DR: S. LATTUCA 18JAN2008	Tyco Electronics Corporation Harrisburg, PA 17105-3608
DIMENSIONS: INCHES		CHK: C. THOMAS 18JAN2008	
TOLERANCES UNLESS OTHERWISE SPECIFIED:		APP: C. THOMAS 18JAN2008	NAME: C. THOMAS
0 PLC ± .010 1 PLC ± .005 2 PLC ± .002 3 PLC ± .001 4 PLC ± .0005 ANGLES ± .5° FINISH		APPLICATION SPEC: —	SIZE: A2
MATERIAL: $\Delta 2 \Delta 3$		WEIGHT: —	CAGE CODE: 00779
FINISH: $\Delta 3$		DRAWING NO: C-531720	
CUSTOMER DRAWING		SCALE: 1:1	
		SHEET: 1 of 2	
		REV: D	

AMP 1471-9 REV 31MM2000

531720

A

4

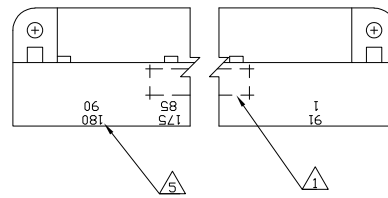
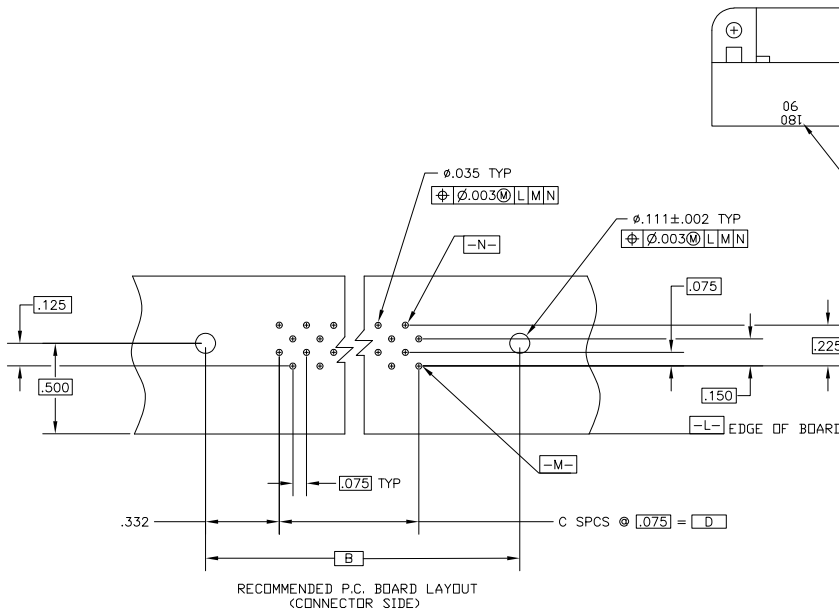
3

2

1

THIS DRAWING IS UNPUBLISHED. RELEASED FOR PUBLICATION
 © COPYRIGHT BY TYCO ELECTRONICS CORPORATION. ALL RIGHTS RESERVED.

LOC	DIST	REV	DESCRIPTION	DATE	BY	APP'D
DF	X5	P	LTR			
		D	REV PER EDD 05-015613	18JAN2006	BL	CCT



MILITARY PART NUMBER	D	C	B	A	NO OF POS	PART NO
M55302/156-30	6.675	89	7.340	7.630	180	1-531720-5
M55302/156-29	5.925	79	6.590	6.880	160	1-531720-4
M55302/156-28	5.550	74	6.215	6.505	150	1-531720-3
M55302/156-27	4.425	59	5.090	5.380	120	1-531720-2
M55302/156-26	4.050	54	4.715	5.005	110	1-531720-1
M55302/156-25	3.675	49	4.340	4.630	100	1-531720-0
M55302/156-24	3.300	44	3.965	4.255	90	531720-9
M55302/156-23	2.925	39	3.590	3.880	80	531720-8
M55302/156-22	2.550	34	3.215	3.505	70	531720-7
M55302/156-21	2.175	29	2.840	3.130	60	531720-6
M55302/156-20	1.800	24	2.465	2.755	50	531720-5
M55302/156-19	1.425	19	2.090	2.380	40	531720-4
M55302/156-18	1.050	14	1.715	2.005	30	531720-3
M55302/156-17	.675	9	1.340	1.630	20	531720-2
M55302/156-16	.300	4	.965	1.255	10	531720-1

- 1 AMP, PART NUMBER, MILITARY PART NO, DATE CODE, & 00779 MARKED THIS AREA.
- 2 HOUSING MATERIAL: GLASS FILLED POLYESTER. COLOR: BLUE.
- 3 CONTACT MATERIAL: BRASS
FINISH: .000050 GOLD OVER .000050 NICKEL IN CONTACT AREA, TIN-LEAD PLATE OVER NICKEL ON SOLDER TAILS.
MIL-C-55302 GROUP A INSPECTION REQUIRED
- 5 NUMBERS & LINES INDICATING EVERY 5 CAVITIES MARKED ON MATING FACE. NUMBERS INDICATING EVERY 5 CAVITIES MARKED ON SIDE.
- 6 KEY POSITION IDENTIFICATION MOLDED ON SURFACE SHOWN.

THIS DRAWING IS A CONTROLLED DOCUMENT.

DIMENSIONS: INCHES 0 PLG ± 1 PLG ± 2 PLG ± 3 PLG ± 4 PLG ± ANGLES ± FINISH	RELEASED FOR PUBLICATION OTHERS UNCONTROLLED	DATE: 18JAN2006 BY: S. LATTUCA APP'D: C.C. THOMAS PRODUCT SPEC: --- APPLICATION SPEC: --- HEIGHT: ---	Tyco Electronics Corporation Harrisburg, PA 17105-3608 PIN ASSEMBLY, RIGHT ANGLE 751 SERIES, BOX CONNECTOR SIZE: A2 CASE CODE: 00779 DRAWING NO: C=531720 RESTRICTED TO: ---
--	---	--	---

CUSTOMER DRAWING SCALE: 1:1 SHEET 2 of 2 REV D