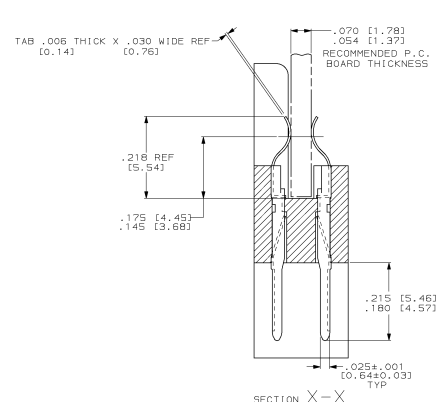
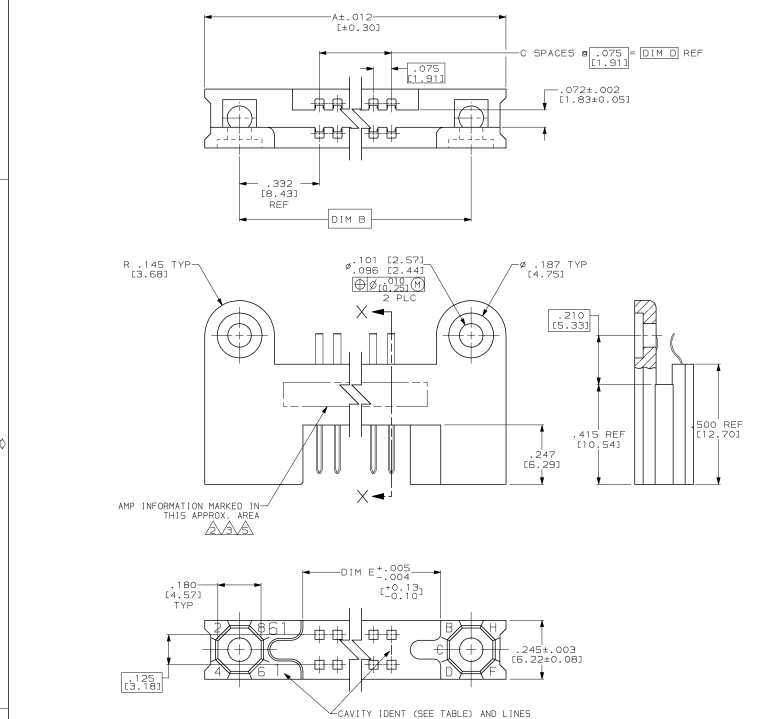


REVOLUTIONS		DATE	APPD
#	DESCRIPTION		
U	REV PER 0600-7189-99 JY	11-98	DG



REMARKS	CONTACT FINISH REF	CAVITY IDENT	D	C	B	A	NUMBER OF POSITIONS	PART NUMBER		
OBsolete			46 - 1	3.575 [90.81]	3.300 [83.82]	44	3.965 [100.711]	4.265 [108.08]	90	2-202845-4
OBsolete			16 - 1	3.325 [84.68]	1.050 [26.67]	14	1.715 [43.56]	2.005 [50.93]	30	2-202845-3
OBsolete			36 - 1	2.825 [71.88]	2.550 [64.77]	34	3.215 [81.88]	3.505 [89.33]	70	2-202845-2
OBsolete			16 - 1	3.325 [84.68]	1.050 [26.67]	14	1.715 [43.56]	2.005 [50.93]	30	2-202845-1
OBsolete			61 - 1	4.700 [119.38]	4.425 [112.40]	59	5.055 [128.29]	5.360 [136.85]	120	2-202845-0
OBsolete			51 - 1	100.33 [2550]	89.35 [2273]	49	110.24 [2800]	117.60 [2987]	100	2-202845-9
OBsolete			15 - 1	3.650 [92.70]	3.375 [85.77]	13	1.840 [46.69]	1.930 [49.02]	28	1-202845-8
			61 - 1	4.700 [119.38]	4.425 [112.40]	59	5.055 [128.29]	5.360 [136.85]	120	1-202845-7
			56 - 1	4.325 [109.86]	4.050 [102.87]	54	4.715 [119.26]	5.005 [127.13]	110	1-202845-6
			46 - 1	3.575 [90.81]	3.300 [83.82]	44	3.965 [100.711]	4.265 [108.08]	90	1-202845-5
			41 - 1	3.200 [81.28]	2.925 [74.30]	39	3.550 [90.17]	3.800 [96.52]	80	1-202845-4
OBsolete			36 - 1	2.825 [71.88]	2.550 [64.77]	34	3.215 [81.88]	3.505 [89.33]	70	1-202845-3
OBsolete			31 - 1	2.450 [62.23]	2.175 [55.25]	29	2.840 [72.14]	3.130 [79.50]	60	1-202845-2
OBsolete			26 - 1	2.075 [52.71]	1.800 [45.72]	24	2.465 [62.61]	2.755 [70.50]	50	1-202845-1
OBsolete			21 - 1	1.700 [43.18]	1.425 [36.20]	19	2.055 [52.09]	2.360 [60.45]	40	1-202845-0
			16 - 1	1.325 [33.66]	1.050 [26.67]	14	1.715 [43.56]	2.005 [50.93]	30	202845-9
			11 - 1	1.950 [49.53]	1.675 [42.55]	9	1.940 [49.53]	2.005 [50.93]	20	202845-8
OBsolete			6 - 1	5.75 [146.11]	3.00 [76.20]	4	3.65 [92.70]	1.255 [31.91]	10	202845-7
OBsolete			51 - 1	3.550 [90.17]	3.275 [83.68]	49	4.340 [110.24]	4.630 [117.60]	100	202845-2
OBsolete			51 - 1	100.33 [2550]	89.35 [2273]	49	110.24 [2800]	117.60 [2987]	100	202845-1

- △ 80 CONTACTS ARE LOADED IN CAVITIES #6 THRU #45 AND #56 THRU #55.
- △ ADDITIONAL MOLDING OR MARKING OF CUSTOMER NO. AND AMP CODE IDENTIFICATION NUMBER.
- △ ADDITIONAL MARKING OF CUSTOMER PART NO.
- △ MEETS APPLICABLE REQUIREMENTS OF MIL-C-55302 AND MIL-C-55302/23.
- △ ADDITIONAL MOLDING OR MARKING OF CUSTOMER PART NO. 70143-1313334-1
- △ 100X GROUP A ANB B TESTING PER MIL-C-55302.
- △ .000050 [0.00127] GOLD IN THE CONTACT AREA, .000100 [0.00254] TIN/LEAD ON THE TAILS OVER .000050 [0.00127] NICKEL ON THE ENTIRE CONTACT
- △ .000030 [0.00076] GOLD IN THE CONTACT AREA, .000100 [0.00254] TIN/LEAD ON THE TAILS OVER .000050 [0.00127] NICKEL ON THE ENTIRE CONTACT

DO NOT SCALE PRINT. DIMENSIONS IN INCHES (mm) TOLERANCES ON + 2 P L E DEC .005 (0.13) MILLIMETERS	DR 4-24-97 C. THOMAS CHK 4-26-97 D. MILLER APPD 4-28-97 C. THOMAS PRODUCT SPEC FINISH SEE TABLE APPLICATION SPEC WEIGHT	NAME AMP Incorporated Harrisburg, PA 17105-3008	PIN HEADER ASSEMBLY, 750 SERIES BOX
SIZE 00779 SCALE 5:1	DRAWING NO. 202845 SHEET 1 OF 1		