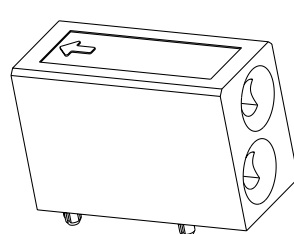
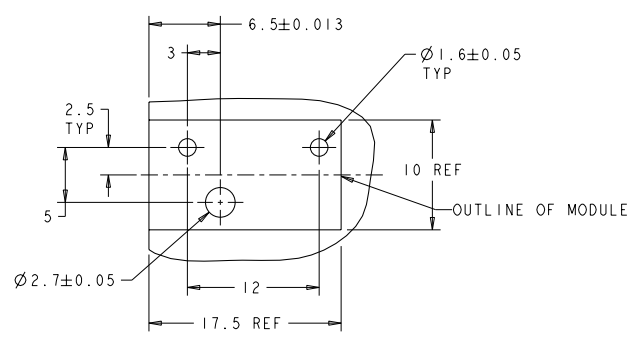
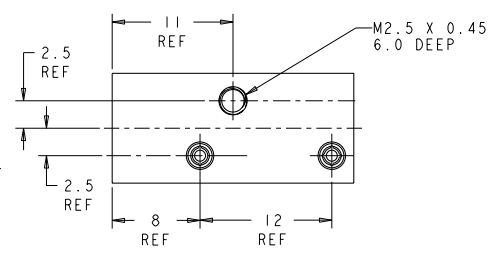
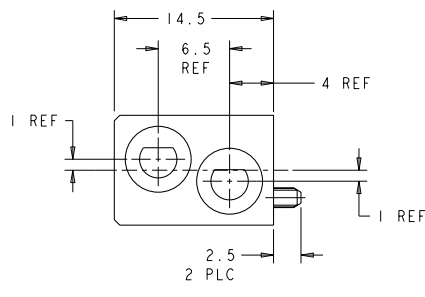
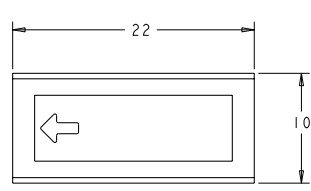


| LOC | | DISP | | REVISIONS | | | |
|-----|-----|-----------------------|-----------|-----------|------|--|--|
| P | LYR | DESCRIPTION | DATE | BY | APPD | | |
| EI | | REV PER ECO-11-005027 | 07MAY2011 | AK | HMA | | |
| | | | | | | | |
| | | | | | | | |



1. RECOMMENDED MOUNTING HARDWARE - M2.5 X 0.45 SCREW, 7.0MM LONG UP TO 2.9 MM THICK PCB, 8.0MM LONG FOR 3.0 TO 4.0 MM THICK PCB, 10.0MM FOR 4.1 TO 6.0MM THICK PCB, 12.0MM FOR 6.1 TO 8.0MM THICK PCB. (HARDWARE NOT SUPPLIED WITH PART NUMBER)
2. ENHANCED VERSION AVAILABLE FOR NEB'S DROP TEST. REFERENCE DRAWING 1469958.



| | | | |
|------|------|------------|-------------|
| N/A | N/A | UNKEYED | 9-1469373-9 |
| 225° | 315° | 6 8 | 6-1469373-8 |
| 180° | 180° | 5 5 | 5-1469373-5 |
| 135° | 45° | 4 2 | 4-1469373-2 |
| 90° | 270° | 3 7 | 3-1469373-7 |
| 0° | 0° | 1 1 | 1-1469373-1 |
| "A" | "B" | KEYING POS | PART NUMBER |

THIS DRAWING IS A CONTROLLED DOCUMENT. DWG NO: SZCZESNY 17DEC02, CD: PATTERSON 14SEP04, APPD: R. PATTERSON 14SEP04

TE TE Connectivity

ATCA GUIDE MODULE (FRONT BOARD - K1/K2)

| | | | | | | | |
|-------------------|---------------------------|--------------------------|------------------|----------|-----------|------------|---------------|
| DIMENSIONS: mm | TO DRAWING SPECIFICATIONS | PRODUCT SPEC | APPLICATION SPEC | SIZE | CASE CODE | DRAWING NO | RESTRICTED TO |
| MATERIAL: ZAMAK 3 | FINISH: NICKEL | WEIGHT: CUSTOMER DRAWING | SCALE: 4:1 | SHEET: 1 | OF: 2 | REV: E | |

4

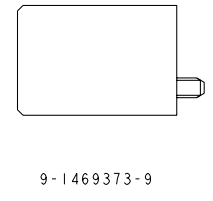
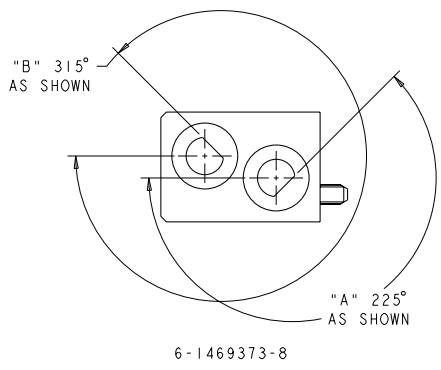
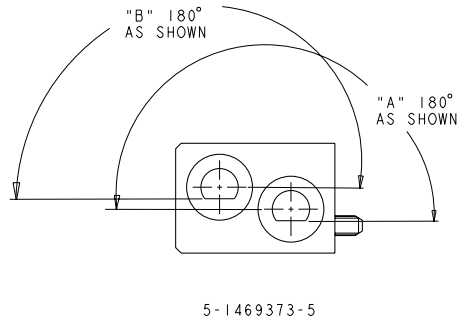
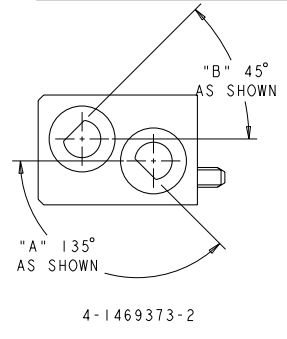
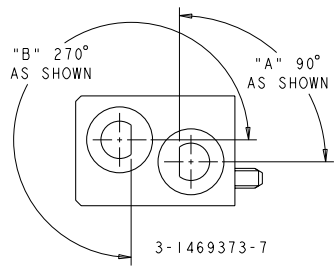
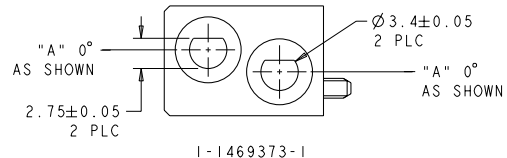
3

2

1

THIS DRAWING IS UNPUBLISHED. RELEASED FOR PUBLICATION. ALL RIGHTS RESERVED. COPYRIGHT 20

| REV | DATE | BY | APPROV |
|-----|------|----|--------|
| 00 | | | |
| 1 | | | |
| 2 | | | |
| 3 | | | |
| 4 | | | |
| 5 | | | |
| 6 | | | |
| 7 | | | |
| 8 | | | |
| 9 | | | |



| | | | | | |
|---|----------------|--------------------|-------------------|---|----------|
| THIS DRAWING IS A CONTROLLED DOCUMENT. | | OWN: D. SZCZESNY | 7DEC02 | TE Connectivity | |
| DIMENSIONS: mm | | CDR: R. PATTERSON | 14SEP04 | ATCA GUIDE MODULE (FRONT BOARD - K1/K2) | |
| TOLERANCES UNLESS OTHERWISE SPECIFIED: | | APPD: R. PATTERSON | 14SEP04 | RESTRICTED TO | |
| <ul style="list-style-type: none"> Ø PLC ±0.2 1 PLC ±0.5 2 PLC ±0.13 3 PLC ±0.013 4 PLC ±0.0081 ANGLES ±0.5 | | PRODUCT SPEC: | APPLICATION SPEC: | WEIGHT: | SIZE: A2 |
| MATERIAL: ZAMAK 3 | FINISH: NICKEL | CUSTOMER DRAWING | SCALE: 4:1 | SHEET: 2 | OF: 2 |

1477-B (2/11)