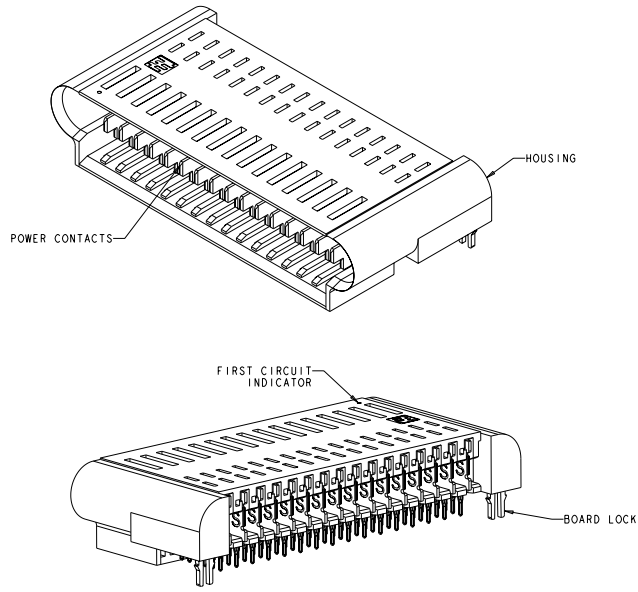


REV	DATE	DESCRIPTION	BY	CHK	APP
AA	00				
C	ECO-09-028524				



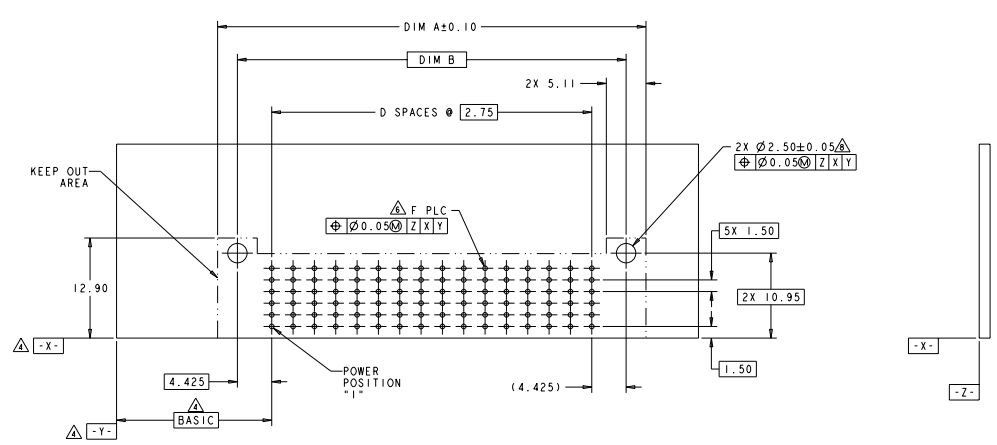
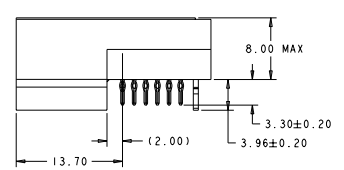
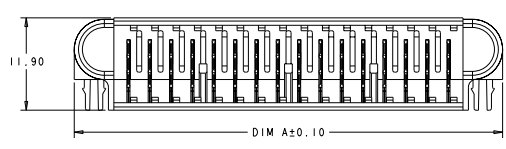
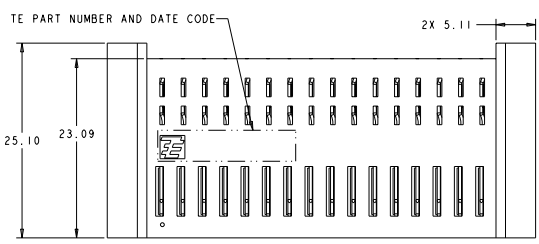
- HOUSING: GLASS FILLED LIQUID CRYSTAL POLYMER, COLOR: BLACK, UL 94 V-O RATED
POWER CONTACT: COPPER ALLOY
BOARD LOCK: PHOSPHOR BRONZE
 - POWER CONTACT: 0.00127mm MIN NICKEL ALL OVER,
MATING AREA: 0.00076mm MIN GOLD OR
0.00008mm MIN GOLD OVER 0.00076mm MIN PALLADIUM-NICKEL,
TAIL AREA: 0.0005mm MIN MATTE TIN
BOARD LOCK: 0.00076mm MIN MATTE TIN OVER
0.00127mm MIN NICKEL.
 - CONTACT MATING AREA LUBRICATED WITH BELLCORE APPROVED LUBRICANT,
TECHNICAL REFERENCE: GR-1217-CORE, ISSUE 1, NOVEMBER 1995
- ⚠ DATUMS AND BASIC DIMENSIONS TO BE ESTABLISHED BY CUSTOMER.
- ⚠ PC BOARD THICKNESS 1.4mm MIN, FOR WAVE SOLDER PC BOARD THICKNESS 2.62 MAX
- ⚠ SEE APPLICATION SPEC 114-13215 FOR PLATED THROUGH HOLE INFORMATION
7. SEE CUSTOMER DRAWING 1926711 OR 1926713 FOR MATING CONNECTOR
- ⚠ UNPLATED HOLES

1-1926710-6 SHOWN

180	29	88.60	93.71	30P	3-1926710-0
168	27	83.10	88.21	28P	2-1926710-8
156	25	77.60	82.71	26P	2-1926710-6
144	23	72.10	77.21	24P	2-1926710-4
132	21	66.60	71.71	22P	2-1926710-2
120	19	61.10	66.21	20P	2-1926710-0
108	17	55.60	60.71	18P	1-1926710-8
96	15	50.10	55.21	16P	1-1926710-6
84	13	44.60	49.71	14P	1-1926710-4
72	11	39.10	44.21	12P	1-1926710-2
60	9	33.60	38.71	10P	1-1926710-0
48	7	28.10	33.21	8P	1926710-8
36	5	22.60	27.71	6P	1926710-6
F	D	DIM B	DIM A	NUMBER OF POSITIONS	PART NUMBER
PLC SPACES					

DATE: 04/20/2018	BY: TECH ELECTRONICS CORPORATION	REV: AA	ECO-09-028524	DATE: 04/20/2018	BY: TECH ELECTRONICS CORPORATION
1926710-6	PLUG ASSEMBLY, RIGHT ANGLE, PASSIVE GUIDE, POWER ONLY, WITH BOARD LOCKS, MINIFAK HDL	1926710-6	1926710-6	1926710-6	1926710-6
1926710-6	1926710-6	1926710-6	1926710-6	1926710-6	1926710-6

REV		REVISIONS	
NO	DATE	DESCRIPTION	BY
AA	00	SEE SHEET 1	



1-1926710-6 SHOWN
RECOMMENDED PRINTED CIRCUIT BOARD LAYOUT
 (AS VIEWED FROM COMPONENT SIDE)

DATE: 10/27/08	REV: 1	REVISED: 10/27/08	DATE: 10/27/08
BY: J. REISER	CHK: J. REISER	BY: J. REISER	CHK: J. REISER
APP: J. REISER	APP: J. REISER	APP: J. REISER	APP: J. REISER
DATE: 10/27/08	REV: 1	REVISED: 10/27/08	DATE: 10/27/08
BY: J. REISER	CHK: J. REISER	BY: J. REISER	CHK: J. REISER
APP: J. REISER	APP: J. REISER	APP: J. REISER	APP: J. REISER
DATE: 10/27/08	REV: 1	REVISED: 10/27/08	DATE: 10/27/08
BY: J. REISER	CHK: J. REISER	BY: J. REISER	CHK: J. REISER
APP: J. REISER	APP: J. REISER	APP: J. REISER	APP: J. REISER

TECHNICAL SPECIFICATIONS: 1-1926710-6
 PART NUMBER: 1-1926710-6
 CUSTOMER DRAWING: 1-1926710-6