

4

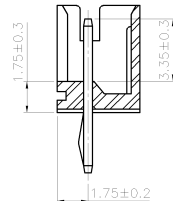
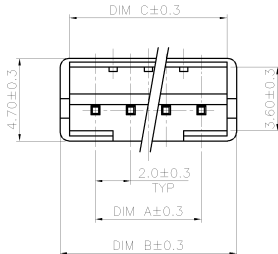
3

2

1

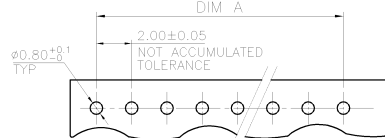
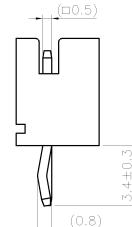
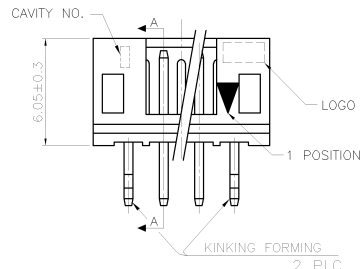
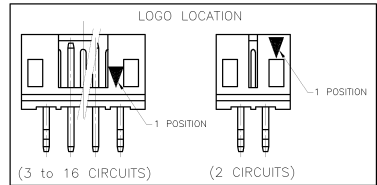
THIS DRAWING IS UNPUBLISHED. RELEASED FOR PUBLICATION AUG. 2006.  
 COPYRIGHT 2009 BY TYCO ELECTRONICS CORPORATION. ALL RIGHTS RESERVED.

LOC	DIST	REVISIONS			
P	LTR	DESCRIPTION	DATE	DWN	APVD
E1		REVISED (ECR-11-005810)	21MAR11	JL	WK



SEC. A-A

- NOTES:  
 1. MATERIAL:  
 HOUSING: NYLON 66, UL94V-0, COLOR: SEE TABLE.  
 CONTACT: BRASS, THICKNESS=0.50mm.  
 2. FINISH:  
 2.03um[80u"] MIN. BRIGHT-TIN PLATING ON CONTACT.  
 1.27um[50u"] MIN. NICKEL ENTIRE CONTACT UNDERPLATED.  
 3. WAVE SOLDER CAPABLE TO 265°C PER TEST SPEC.  
 109-202, CONDITION B.  
 4. RAISED TYPE PN: 9-440054-2



RECOMMENDED PCB LAYOUT (PCB THK=1.0~1.6)

TUBE	RED	10.90	12.00	8.00	5P	8-440054-9
		8.90	10.00	6.00	4P	8-440054-8
		6.90	8.00	4.00	3P	8-440054-7
		4.90	6.00	2.00	2P	8-440054-6
		10.90	12.00	8.00	5P	6-440054-9
		8.90	10.00	6.00	4P	6-440054-8
		6.90	8.00	4.00	3P	6-440054-7
		4.90	6.00	2.00	2P	6-440054-6
		10.90	12.00	8.00	5P	4-440054-9
		8.90	10.00	6.00	4P	4-440054-8
		6.90	8.00	4.00	3P	4-440054-7
		4.90	6.00	2.00	2P	4-440054-6
		10.90	12.00	8.00	5P	2-440054-9
		8.90	10.00	6.00	4P	2-440054-8
		6.90	8.00	4.00	3P	2-440054-7
		4.90	6.00	2.00	2P	2-440054-6
		32.90	34.00	30.00	16P	5-440054-6
		30.90	32.00	28.00	15P	5-440054-5
		28.90	30.00	26.00	14P	5-440054-4
		26.90	28.00	24.00	13P	5-440054-3
		24.90	26.00	22.00	12P	5-440054-2
		22.90	24.00	20.00	11P	5-440054-1
		20.90	22.00	18.00	10P	5-440054-0
		18.90	20.00	16.00	9P	3-440054-9
		16.90	18.00	14.00	8P	3-440054-8
		14.90	16.00	12.00	7P	3-440054-7
		12.90	14.00	10.00	6P	3-440054-6
		10.90	12.00	8.00	5P	3-440054-5
		8.90	10.00	6.00	4P	3-440054-4
		6.90	8.00	4.00	3P	3-440054-3
		4.90	6.00	2.00	2P	3-440054-2

POLY BAG	RED	10.90	12.00	8.00	5P	8-440054-5
		8.90	10.00 <td>6.00</td> <td>4P</td> <th>8-440054-4</th>	6.00	4P	8-440054-4
		6.90	8.00	4.00	3P	8-440054-3
		4.90	6.00	2.00	2P	8-440054-2
		10.90	12.00	8.00	5P	6-440054-5
		8.90	10.00	6.00	4P	6-440054-4
		6.90	8.00	4.00	3P	6-440054-3
		4.90	6.00	2.00	2P	6-440054-2
		10.90	12.00	8.00	5P	4-440054-5
		8.90	10.00	6.00	4P	4-440054-4
		6.90	8.00	4.00	3P	4-440054-3
		4.90	6.00	2.00	2P	4-440054-2
		10.90	12.00	8.00	5P	2-440054-5
		8.90	10.00	6.00	4P	2-440054-4
		6.90	8.00	4.00	3P	2-440054-3
		4.90	6.00	2.00	2P	2-440054-2
		32.90	34.00	30.00	16P	1-440054-6
		30.90	32.00	28.00	15P	1-440054-5
		28.90	30.00	26.00	14P	1-440054-4
		26.90	28.00	24.00	13P	1-440054-3
		24.90	26.00	22.00	12P	1-440054-2
		22.90	24.00	20.00	11P	1-440054-1
		20.90	22.00	18.00	10P	1-440054-0
		18.90	20.00	16.00	9P	440054-9
		16.90	18.00	14.00	8P	440054-8
		14.90	16.00	12.00	7P	440054-7
		12.90	14.00	10.00	6P	440054-6
		10.90	12.00	8.00	5P	440054-5
		8.90	10.00	6.00	4P	440054-4
		6.90	8.00	4.00	3P	440054-3
		4.90	6.00	2.00	2P	440054-2

THIS DRAWING IS A CONTROLLED DOCUMENT.

DWN: O. HU 16JUL2004  
 CHK: S. HOU 16JUL2004  
 APVD: W. J. KE 16JUL2004

DIMENSIONS: MM  
 TOLERANCES UNLESS OTHERWISE SPECIFIED:  
 0 PLC ± -  
 1 PLC ± 0.3  
 2 PLC ± 0.2  
 3 PLC ± 0.15  
 4 PLC ANGLES ± 3°

MATERIAL: SEE NOTE  
 FINISH: SEE NOTE

PRODUCT SPEC: 108-57100  
 APPLICATION SPEC: CUSTOMER DRAWING

WEIGHT: GRAMS  
 SIZE: A3  
 CAGE CODE: 00779  
 DRAWING NO: C-440054  
 RESTRICTED TO: -

SCALE: - SHEET: 1 OF 5 REV: E1

TE Connectivity  
 2.0 MM PITCH HPI VERTICAL POST HEADERS

4

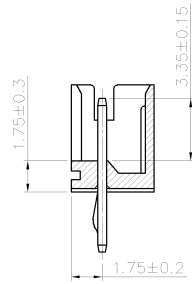
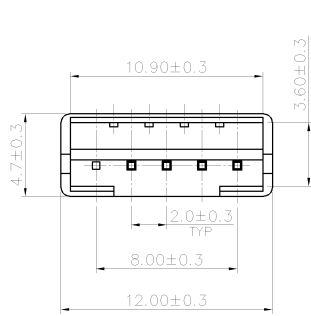
3

2

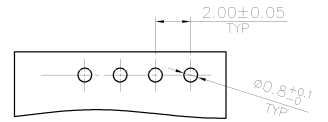
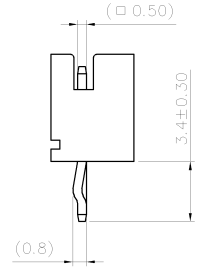
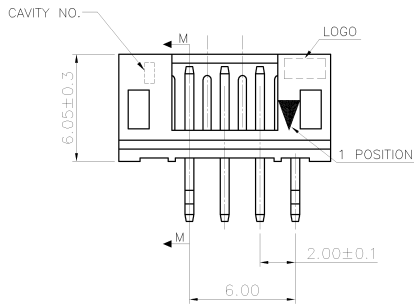
1

THIS DRAWING IS UNPUBLISHED. RELEASED FOR PUBLICATION AUG. 2006.  
 © COPYRIGHT 2009 BY TYCO ELECTRONICS CORPORATION. ALL RIGHTS RESERVED.

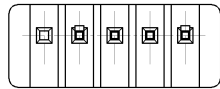
LOC		DIST		REVISIONS				
P	LTR	DESCRIPTION		DATE	DWN	APVD		
		SEE SHEET 1.						



SECTION M-M



RECOMMENDER PCB LAYOUT (PCB THK=1.0~1.6mm)



THIS DRAWING IS A CONTROLLED DOCUMENT.		DWN	POLY BAG PACKAGE		NATURAL WHITE COLOR	PIN 5	4P	9-440054-5
DIMENSIONS: MM		CHK	TE Connectivity		NAME			
TOLERANCES UNLESS OTHERWISE SPECIFIED: 0 PLC ± - 1 PLC ± 0.3 2 PLC ± 0.2 3 PLC ± 0.15 4 PLC ± - ANGLES ± 3°		APVD	2.0 MM PITCH HPI VERTICAL POST HEADERS					
MATERIAL SEE NOTE (PAGE 1.)		PRODUCT SPEC	SIZE	CAGE CODE	DRAWING NO	RESTRICTED		
FINISH SEE NOTE (PAGE 1.)		APPLICATION SPEC	A3	00779	440054			
		WEIGHT	CUSTOMER DRAWING		SCALE	SHEET	2	5
							REV	E1

4

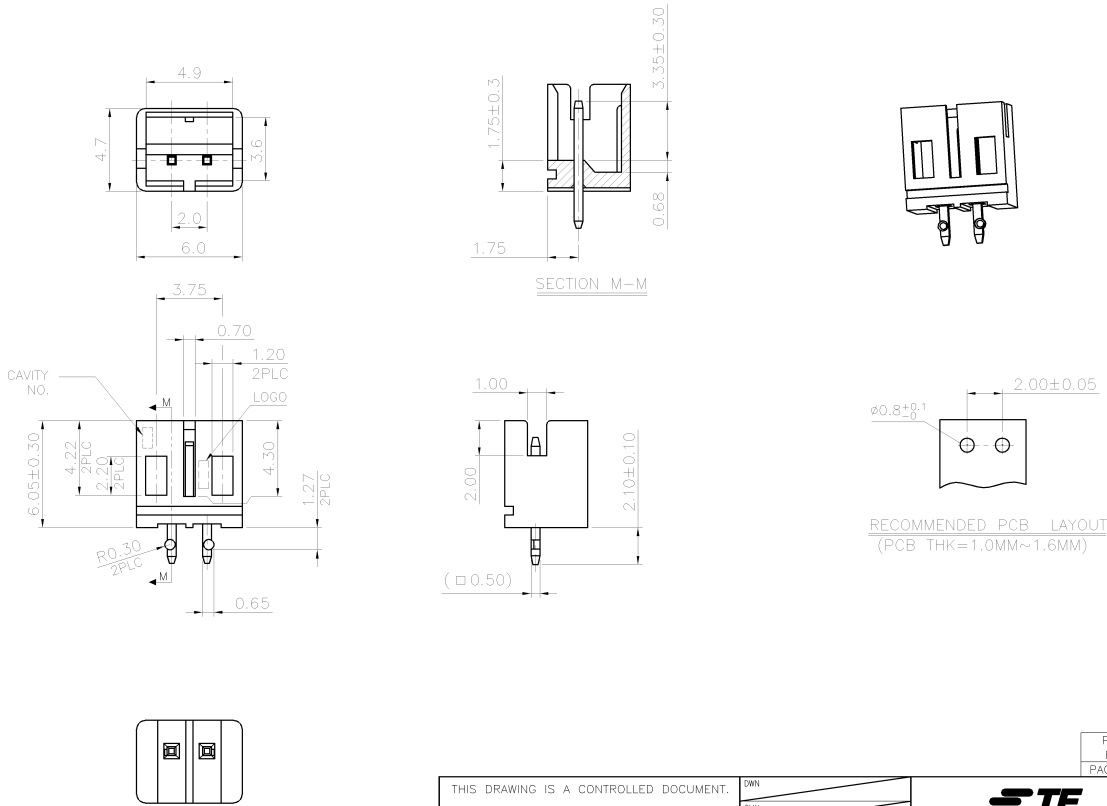
3

2

1

THIS DRAWING IS UNPUBLISHED. RELEASED FOR PUBLICATION AUG. 2006.  
 © COPYRIGHT 2009 BY TYCO ELECTRONICS CORPORATION. ALL RIGHTS RESERVED.

LOC		DIST		REVISIONS			
P	LTR	DESCRIPTION		DATE	DWN	APVD	
DW							SEE SHEET 1.



POLY BAG	NATURAL WHITE	2P	9-440054-2
PACKAGE	COLOR	POS.	PART NUMBER

THIS DRAWING IS A CONTROLLED DOCUMENT.		DWN	<b>TE</b> TE Connectivity																			
DIMENSIONS: MM		CHK																				
TOLERANCES UNLESS OTHERWISE SPECIFIED:		APVD	NAME																			
<table border="1"> <tr><td>0 PLC</td><td>±</td><td>-</td></tr> <tr><td>1 PLC</td><td>±</td><td>0.3</td></tr> <tr><td>2 PLC</td><td>±</td><td>0.2</td></tr> <tr><td>3 PLC</td><td>±</td><td>0.15</td></tr> <tr><td>4 PLC</td><td>±</td><td>-</td></tr> <tr><td>ANGLES</td><td>±</td><td>3°</td></tr> </table>		0 PLC	±	-	1 PLC	±	0.3	2 PLC	±	0.2	3 PLC	±	0.15	4 PLC	±	-	ANGLES	±	3°	PRODUCT SPEC	2.0 MM PITCH HPI VERTICAL POST HEADERS	
0 PLC	±	-																				
1 PLC	±	0.3																				
2 PLC	±	0.2																				
3 PLC	±	0.15																				
4 PLC	±	-																				
ANGLES	±	3°																				
MATERIAL: SEE NOTE (PAGE 1.)		APPLICATION SPEC	SIZE	CAGE CODE																		
FINISH: SEE NOTE (PAGE 1.)		WEIGHT	A3	00779																		
		CUSTOMER DRAWING	DRAWING NO.	RESTRICTED																		
		SCALE	440054																			
		SHEET	3	OF 5																		
		REV	E	1																		

4

3

2

1

THIS DRAWING IS UNPUBLISHED. RELEASED FOR PUBLICATION AUG. 2006.  
 © COPYRIGHT 2009 BY TYCO ELECTRONICS CORPORATION. ALL RIGHTS RESERVED.

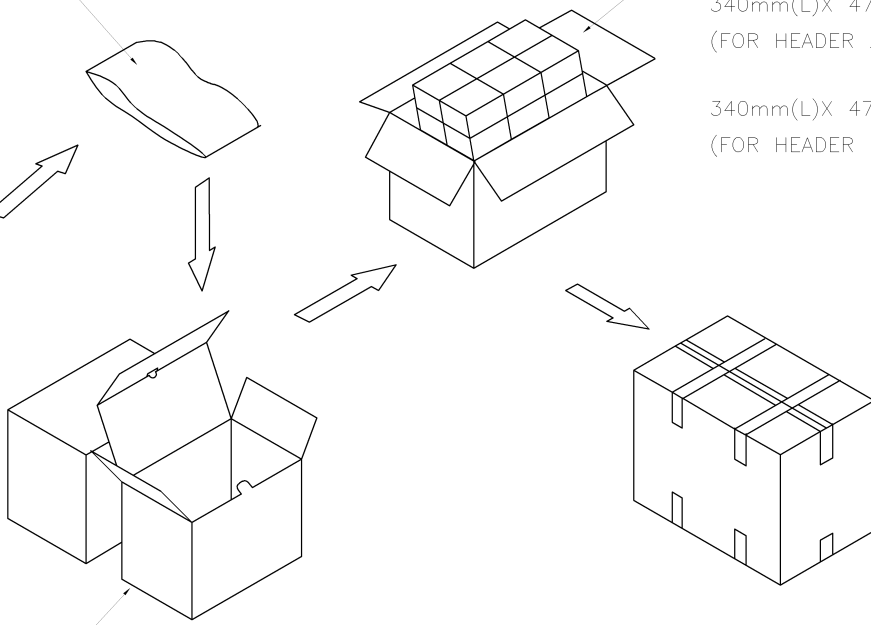
LOC	DIST	REVISIONS			
P	LTR	DESCRIPTION	DATE	DWN	APVD
SEE SHEET 1.					

POLY BAG

CARTON

340mm(L)X 470mm(W)X 178mm(H)  
 (FOR HEADER 2P~5P ONLY)

340mm(L)X 470mm(W)X 365mm(H)  
 (FOR HEADER 6P~16P ONLY)



INNER BOX

320mm(L)X 220mm(W)X 155mm(H)

17,600	550	4P	9-440054-5
40,000	1,000	2P	9-440054-2
17,600	550	5P	8-440054-5
20,800	650	4P	8-440054-4
27,000	750	3P	8-440054-3
40,000	1,000	2P	8-440054-2
17,600	550	5P	6-440054-5
20,800	650	4P	6-440054-4
27,000	750	3P	6-440054-3
40,000	1,000	2P	6-440054-2
16,000	250	12P	7-440054-6
18,000	250	11P	7-440054-5
19,200	300	10P	7-440054-4
22,400	350	9P	7-440054-3
22,400	350	8P	7-440054-2
25,600	400	7P	7-440054-1
28,800	450	6P	7-440054-0
17,600	550	5P	4-440054-5
20,800	650	4P	4-440054-4
27,000	750	3P	4-440054-3
40,000	1,000	2P	4-440054-2
17,600	550	5P	2-440054-5
20,800	650	4P	2-440054-4
27,000	750	3P	2-440054-3
40,000	1,000	2P	2-440054-2
12,000	200	16P	1-440054-6
12,000	200	15P	1-440054-5
12,800	200	14P	1-440054-4
15,000	250	13P	1-440054-3
18,000	250	12P	1-440054-2
18,000	250	11P	1-440054-1
19,200	300	10P	1-440054-0
22,400	350	9P	440054-9
22,400	350	8P	440054-8
25,600	400	7P	440054-7
28,800	450	6P	440054-6
17,600	550	5P	440054-5
20,800	650	4P	440054-4
27,000	750	3P	440054-3
40,000	1,000	2P	440054-2
APQ	PPQ	POS.	PART NUMBER
(PCS/CARTON)	(PCS/BAG)		

THIS DRAWING IS A CONTROLLED DOCUMENT.

DIMENSIONS: MM	TOLERANCES UNLESS OTHERWISE SPECIFIED: 0 PLC ± - 1 PLC ± - 2 PLC ± - 3 PLC ± - 4 PLC ± - ANGLES ± -	DWN CHK APVD		
MATERIAL	FINISH	PRODUCT SPEC APPLICATION SPEC WEIGHT	<b>2.0 MM PITCH HPI VERTICAL POST HEADERS</b>	
		CUSTOMER DRAWING	SIZE: A3	CAGE CODE: 00779
			DRAWING NO: C-440054	RESTRICTED?
			SCALE: 1	SHEET: 4 OF 5
				REV: E1

4

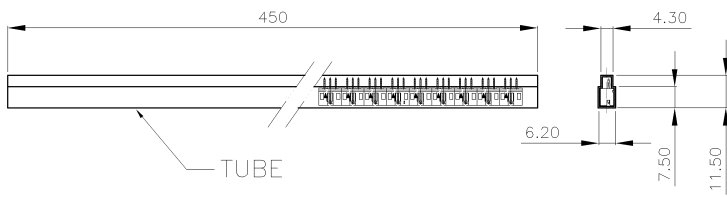
3

2

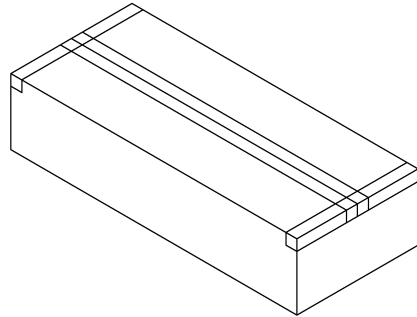
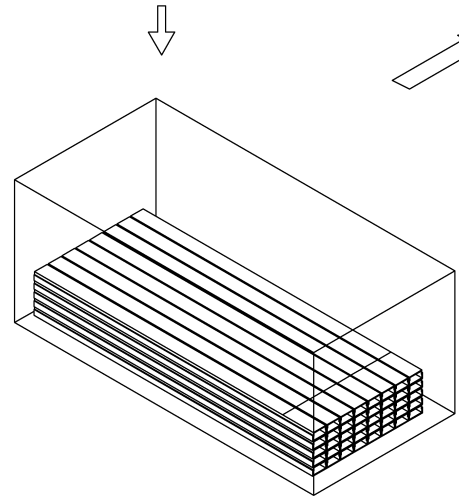
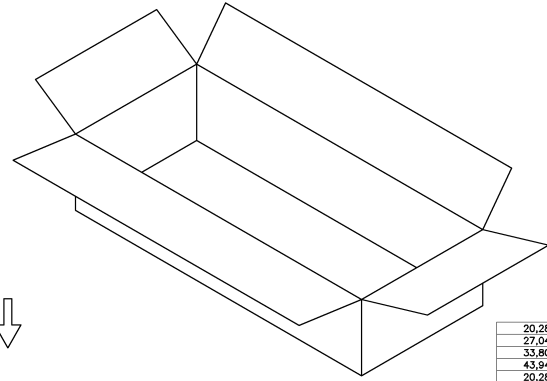
1

THIS DRAWING IS UNPUBLISHED. RELEASED FOR PUBLICATION AUG. 2006.  
 © COPYRIGHT 2009 BY TYCO ELECTRONICS CORPORATION. ALL RIGHTS RESERVED.

LOC	DIST	REVISIONS			
P	LTR	DESCRIPTION	DATE	DWN	APVD
SEE SHEET 1.					



CARTON  
 470 mm(L) X 340mm(W) X 178mm(H)



20,280	30	5P	8-440054-9
27,040	40	4P	8-440054-8
33,800	50	3P	8-440054-7
43,940	65	2P	8-440054-6
20,280	30	5P	6-440054-9
27,040	40	4P	6-440054-8
33,800	50	3P	6-440054-7
43,940	65	2P	6-440054-6
20,280	30	5P	4-440054-9
27,040	40	4P	4-440054-8
33,800	50	3P	4-440054-7
43,940	65	2P	4-440054-6
5,760	10	16P	5-440054-6
8,112	12	15P	5-440054-5
8,112	12	14P	5-440054-4
8,788	13	13P	5-440054-3
10,140	15	12P	5-440054-2
10,816	16	11P	5-440054-1
12,168	18	10P	5-440054-0
13,520	20	9P	3-440054-9
14,872	22	8P	3-440054-8
16,900	25	7P	3-440054-7
18,928	28	6P	3-440054-6
20,280	30	5P	3-440054-5
27,040	40	4P	3-440054-4
33,800	50	3P	3-440054-3
43,940	65	2P	3-440054-2
APQ	PPQ	POS.	PART NUMBER
(PCS/CARTON)	(PCS/TUBE)		

THIS DRAWING IS A CONTROLLED DOCUMENT.

DIMENSIONS: MM	TOLERANCES UNLESS OTHERWISE SPECIFIED: 0 PLC ± .05 1 PLC ± .05 2 PLC ± .05 3 PLC ± .05 4 PLC ± .05 ANGLES ± .05	DWN CHK APVD	NAME
MATERIAL	FINISH	PRODUCT SPEC APPLICATION SPEC WEIGHT	SIZE CAGE CODE DRAWING NO A3100779 C-440054
CUSTOMER DRAWING		SCALE	SHEET 5 OF 5 REV E1

**TE** TE Connectivity  
 2.0 MM PITCH HPI VERTICAL POST HEADERS

AMP 1470-19 REV 31MAR2000