

4

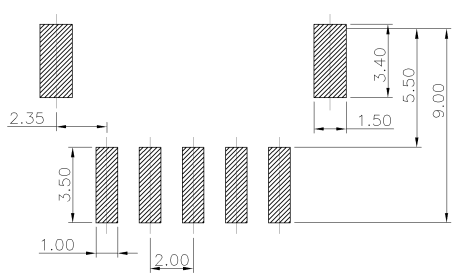
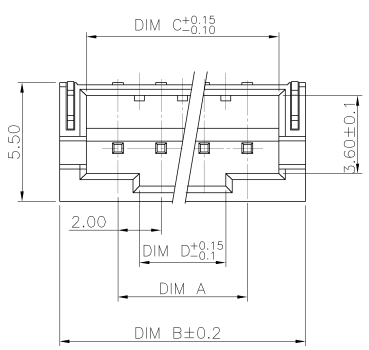
3

2

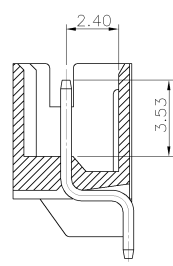
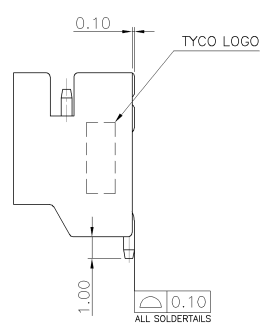
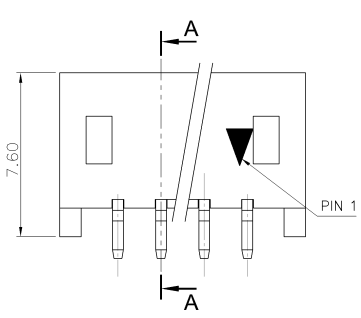
1

THIS DRAWING IS UNPUBLISHED. RELEASED FOR PUBLICATION
 © COPYRIGHT - BY - ALL RIGHTS RESERVED.

LOC	DIST	REVISIONS				
P	LTR	DESCRIPTION	DATE	DWN	APVD	
DW	-					
A1		REVISED PER ECO-11-005301	02APR11	RK	HMR	



RECOMMENDED PCB LAYOUT



SECTION A-A

THICKNESS	DIM D	DIM C	DIM B	DIM A	POS	PART NUMBER
28.00	32.90	35.40	30.00	16P	3	1775469-6
26.00	30.90	33.40	28.00	15P	3	1775469-5
24.00	28.90	31.40	26.00	14P	3	1775469-4
22.00	26.90	29.40	24.00	13P	3	1775469-3
20.00	24.90	27.40	22.00	12P	3	1775469-2
18.00	22.90	25.40	20.00	11P	3	1775469-1
16.00	20.90	23.40	18.00	10P	3	1775469-0
14.00	18.90	21.40	16.00	9P	2	1775469-9
12.00	16.90	19.40	14.00	8P	2	1775469-8
10.00	14.90	17.40	12.00	7P	2	1775469-7
8.00	12.90	15.40	10.00	6P	2	1775469-6
6.00	10.90	13.40	8.00	5P	2	1775469-5
4.00	8.90	11.40	6.00	4P	2	1775469-4
2.00	6.90	9.40	4.00	3P	2	1775469-3
0.60	4.90	7.40	2.00	2P	2	1775469-2
28.00	32.90	35.40	30.00	16P	1	1775469-6
26.00	30.90	33.40	28.00	15P	1	1775469-5
24.00	28.90	31.40	26.00	14P	1	1775469-4
22.00	26.90	29.40	24.00	13P	1	1775469-3
20.00	24.90	27.40	22.00	12P	1	1775469-2
18.00	22.90	25.40	20.00	11P	1	1775469-1
16.00	20.90	23.40	18.00	10P	1	1775469-0
14.00	18.90	21.40	16.00	9P	1	1775469-9
12.00	16.90	19.40	14.00	8P	1	1775469-8
10.00	14.90	17.40	12.00	7P	1	1775469-7
8.00	12.90	15.40	10.00	6P	1	1775469-6
6.00	10.90	13.40	8.00	5P	1	1775469-5
4.00	8.90	11.40	6.00	4P	1	1775469-4
2.00	6.90	9.40	4.00	3P	1	1775469-3
0.60	4.90	7.40	2.00	2P	1	1775469-2

- NOTE:
- MATERIAL : HOUSING : PA9T, UL 94V-0, COLOR: NATURAL. CONTACT : BRASS, THICKNESS=0.50mm.
 - FINISH: CONTACT : Δ 2 μ m [80u"] MIN. MATTE TIN PLATED OVER 1.27 μ m [50u"] MIN. NICKEL UNDERPLATED ALL OVER. Δ GOLD FLASH OVER 1.27 μ m [50u"] MIN. NICKEL UNDERPLATED ALL OVER.
 - REFLOW SOLDER CAPABLE TO 260°C PER TE CONNECTIVITY SPEC 109-201, CONDITION B.

THIS DRAWING IS A CONTROLLED DOCUMENT.

DWN	O. HU	01NOV2006	 TE Connectivity	HPI CONN., 2.0MM PITCH, R/A, SMT TYPE
CHK	S. HOU	01NOV2006		
APVD	W.J. KE	01NOV2006		
NAME				
DIMENSIONS: MM			PRODUCT SPEC	108-57100
TOLERANCES UNLESS OTHERWISE SPECIFIED:			QUALIFICATION TEST REPORT	501-57058
0 PLC ± -			SIZE	A3
1 PLC ± 0.25			CAGE CODE	00779
2 PLC ± 0.15			DRAWING NO	C=1775469
3 PLC ± 0.05			RESTRICTED TO	-
4 PLC ± ±			WEIGHT	--
ANGLES ± 3°			CUSTOMER DRAWING	SCALE -- SHEET 1 of 2 REV A1
MATERIAL SEE NOTE				
FINISH SEE NOTE				

4

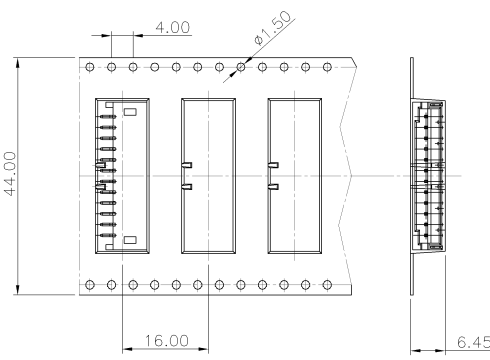
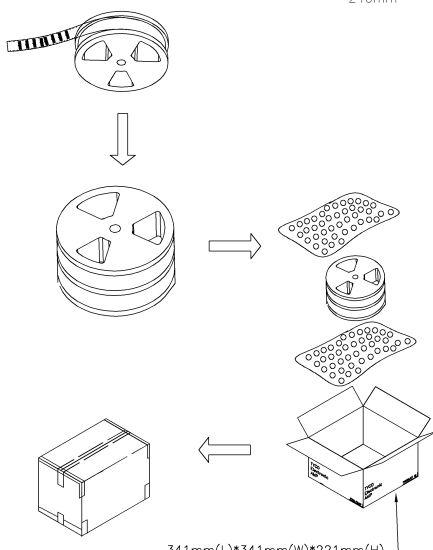
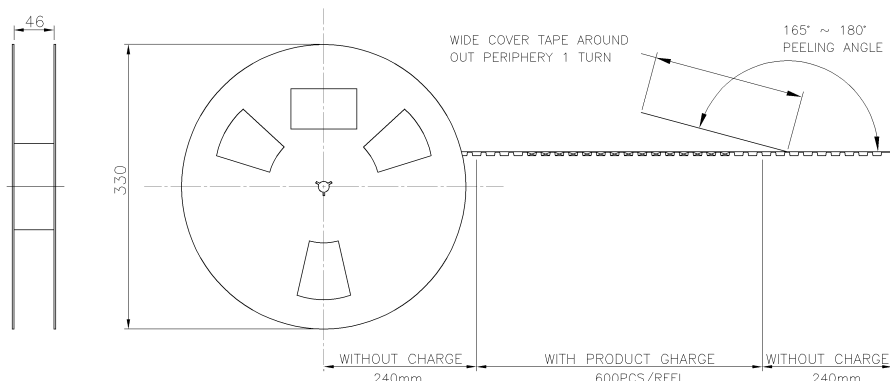
3

2

1

THIS DRAWING IS UNPUBLISHED. RELEASED FOR PUBLICATION
 © COPYRIGHT - BY - ALL RIGHTS RESERVED.

LOC	DIST	REVISIONS			
P	LTR	DESCRIPTION	DATE	DWN	APVD
DW	-	SEE SHEET 1.			



PCS/CARTON	PCS/REEL	POS	PART NUMBER
1,800	600	16P	3-1775469-6
1,800	600	15P	3-1775469-5
1,800	600	14P	3-1775469-4
1,800	600	13P	3-1775469-3
2,400	600	12P	3-1775469-2
2,400	600	11P	3-1775469-1
2,400	600	10P	3-1775469-0
2,400	600	9P	2-1775469-9
2,400	600	8P	2-1775469-8
2,400	600	7P	2-1775469-7
3,000	600	6P	2-1775469-6
3,000	600	5P	2-1775469-5
3,000	600	4P	2-1775469-4
3,000	600	3P	2-1775469-3
3,000	600	2P	2-1775469-2
1,500	600	16P	1-1775469-6
1,800	600	15P	1-1775469-5
1,800	600	14P	1-1775469-4
1,800	600	13P	1-1775469-3
2,400	600	12P	1-1775469-2
2,400	600	11P	1-1775469-1
2,400	600	10P	1-1775469-0
2,400	600	9P	1775469-9
2,400	600	8P	1775469-8
2,400	600	7P	1775469-7
3,000	600	6P	1775469-6
3,000	600	5P	1775469-5
3,000	600	4P	1775469-4
3,000	600	3P	1775469-3
3,000	600	2P	1775469-2

THIS DRAWING IS A CONTROLLED DOCUMENT.

DWN	O. HU	01NOV2006	 TE Connectivity	NAME HPI CONN., 2.0MM PITCH, R/A, SMT TYPE			
CHK	S. HOU	01NOV2006					
APVD	W.J. KE	01NOV2006					
PRODUCT SPEC							
APPLICATION SPEC			SIZE	CAGE CODE	DRAWING NO	RESTRICTED TO	
WEIGHT			A3		C=1775469		
CUSTOMER DRAWING			SCALE	SHEET	2 of 2	REV	A1