

DETAIL X
SCALE 2:1

NOTE:
1. MATERIAL :
HOUSING : THERMOPLASTIC UL94V-0,
COLOR: SEE TABLE.

YELLOW	33.2	30.00±0.20	16	3-1470201-6
	31.2	28.00±0.20	15	3-1470201-5
	29.2	26.00±0.20	14	3-1470201-4
	27.2	24.00±0.20	13	3-1470201-3
	25.2	22.00±0.15	12	3-1470201-2
	23.2	20.00±0.15	11	3-1470201-1
	21.2	18.00±0.15	10	3-1470201-0
	19.2	16.00±0.15	9	2-1470201-9
	17.2	14.00±0.10	8	2-1470201-8
	15.2	12.00±0.10	7	2-1470201-7
	13.2	10.00±0.10	6	2-1470201-6
	11.2	8.00±0.08	5	2-1470201-5
	9.2	6.00±0.08	4	2-1470201-4
	7.2	4.00±0.05	3	2-1470201-3
	5.2	2.00±0.05	2	2-1470201-2
	NATURAL	33.2	30.00±0.20	16
31.2		28.00±0.20	15	1-1470201-5
29.2		26.00±0.20	14	1-1470201-4
27.2		24.00±0.20	13	1-1470201-3
25.2		22.00±0.15	12	1-1470201-2
23.2		20.00±0.15	11	1-1470201-1
21.2		18.00±0.15	10	1-1470201-0
19.2		16.00±0.15	9	1470201-9
17.2		14.00±0.10	8	1470201-8
15.2		12.00±0.10	7	1470201-7
13.2		10.00±0.10	6	1470201-6
11.2		8.00±0.08	5	1470201-5
9.2		6.00±0.08	4	1470201-4
7.2		4.00±0.05	3	1470201-3
5.2		2.00±0.05	2	1470201-2

HOUSING COLOR	DIM. B	DIM. A	POS.	PART NUMBER
DWN				O. HU
CHK				25-OCT-2002
				J. CHENG
				25-OCT-2002
				NAME
				J. WU
				25-OCT-2002
				2.0 MM PITCH, CRIMP, VERTICAL HOUSING.
				108-57158
				QUALIFICATION TEST REPORT
				501-57248
				LOC DW A3
				SCALE
				SHEET

B1	REVISION RECORD	REVISD PER ECO	ECO-11-005301	RK HMR	SAPR11
LTR		DWN	CHK	DATE	



DIMENSIONS IN MILLIMETERS. DO NOT SCALE PRINT.

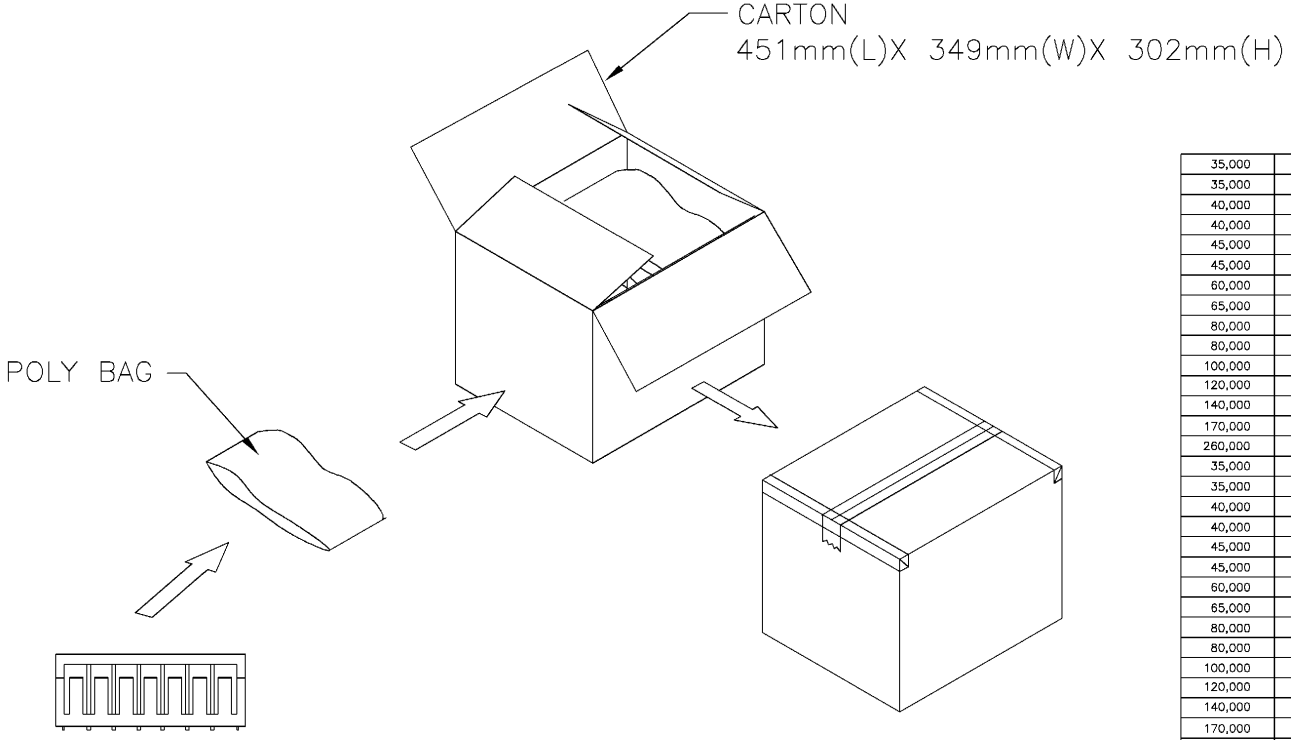
PRINT DIST DW

NUMBER C-1470201

3RD ANGLE PROJECTION

METRIC

PRINT DW
DIMENSIONS IN MILLIMETERS. DO NOT SCALE PRINT.



35,000	1000	3-1470201-6
35,000	1000	3-1470201-5
40,000	1000	3-1470201-4
40,000	1000	3-1470201-3
45,000	1000	3-1470201-2
45,000	1000	3-1470201-1
60,000	1000	3-1470201-0
65,000	1000	2-1470201-9
80,000	1000	2-1470201-8
80,000	1000	2-1470201-7
100,000	1000	2-1470201-6
120,000	1000	2-1470201-5
140,000	1000	2-1470201-4
170,000	1000	2-1470201-3
260,000	1000	2-1470201-2
35,000	1000	1-1470201-6
35,000	1000	1-1470201-5
40,000	1000	1-1470201-4
40,000	1000	1-1470201-3
45,000	1000	1-1470201-2
45,000	1000	1-1470201-1
60,000	1000	1-1470201-0
65,000	1000	1470201-9
80,000	1000	1470201-8
80,000	1000	1470201-7
100,000	1000	1470201-6
120,000	1000	1470201-5
140,000	1000	1470201-4
170,000	1000	1470201-3
260,000	1000	1470201-2
APQ (PCS/CARTON)	PPQ (PCS/BAG)	PART NUMBER

DIMENSION : 0 PLC # 1 PLC # 2 PLC # 3 PLC # ANGLES ±	DWN 25-OCT-2002 D. HU		NAME 2.0 MM PITCH, CRIMP, VERTICAL HOUSING.
MATERIAL SEE NOTE	CHK 25-OCT-2002 J. CHENG		
FINISH SEE NOTE	PRODUCT SPEC	APPLICATION SPEC	LOC A3
	WEIGHT		SIZE A3
			DRAWING NO C-1470201
			REV B1
			SCALE --
			SHEET 2 OF 2

LTR	REVISION RECORD	SEE SHEET 1.	ECO	DWN	CHK	DATE
-----	-----------------	--------------	-----	-----	-----	------

CUSTOMER DRAWING