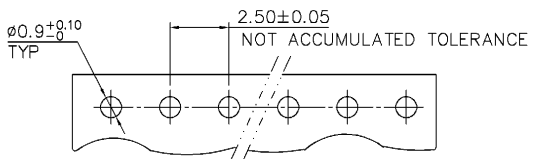
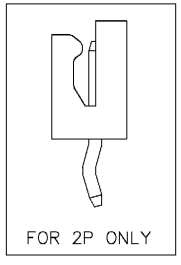
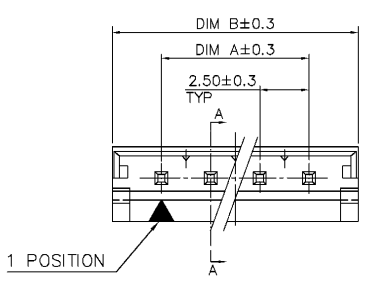
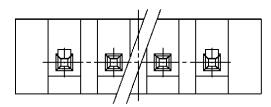
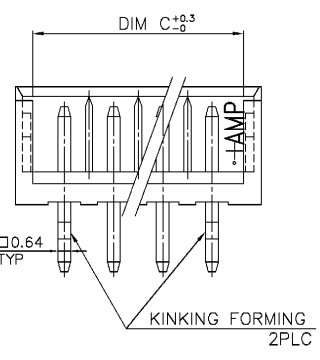
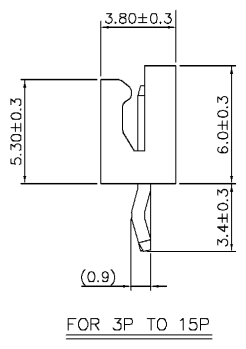
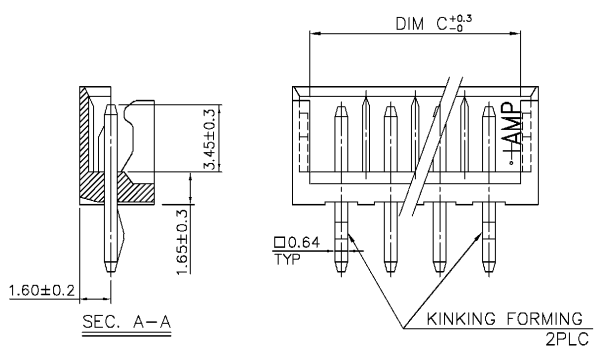


NUMBER C-440052
METRIC
3RD ANGLE PROJECTION



RECOMMENDED PCB LAYOUT
(PCB THK=1.0~1.6)

- NOTE:
- MATERIAL :
HOUSING : THERMOPLASTIC UL94V-0,
COLOR: SEE TABLE.
CONTACT : BRASS.
 - FINISH:
CONTACT : 80u" MIN. TIN PLATED ON CONTACT AREA.
 - WHEN EXTRACTING RECEPTACLE HOUSING FROM
HEADER, NOT WIRE BUT RECEPTACLE HOUSING
SHOULD BE GRIPED IN ORDER TO AVOID THE
WIRE BREAKAGE.



39.2	40.0	35.00	15P	3-440052-5	1-440052-5
36.7	37.5	32.50	14P	3-440052-4	1-440052-4
34.2	35.0	30.00	13P	3-440052-3	1-440052-3
31.7	32.5	27.50	12P	3-440052-2	1-440052-2
29.2	30.0	25.00	11P	3-440052-1	1-440052-1
26.7	27.5	22.50	10P	3-440052-0	1-440052-0
24.2	25.0	20.00	9P	2-440052-9	440052-9
21.7	22.5	17.50	8P	2-440052-8	440052-8
19.2	20.0	15.00	7P	2-440052-7	440052-7
16.7	17.5	12.50	6P	2-440052-6	440052-6
14.2	15.0	10.00	5P	2-440052-5	440052-5
11.7	12.5	7.50	4P	2-440052-4	440052-4
9.2	10.0	5.00	3P	2-440052-3	440052-3
6.7	7.5	2.50	2P	2-440052-2	440052-2

DIM C	DIM B	DIM A	CIRCUITS	YELLOW	NATURAL
				HOUSING COLOR	
				PART NUMBER	

TOLERANCES UNLESS OTHERWISE SPECIFIED: 0 PLC ± 0.5 1 PLC ± 0.3 2 PLC ± 0.2 3 PLC ± 0.15 ANGLES ±	DWN	O. HU	
	CHK	J. CHENG	
MATERIAL	APVD	J. WU	2.5 MM PITCH HPI VERTICAL POST HEADERS
	PRODUCT SPEC	108-57099	
FINISH	APPLICATION SPEC	LOG DW	DRAWING NO
	WEIGHT	SCALE	C-440052
		REV	C1
		SHEET 1 OF 2	

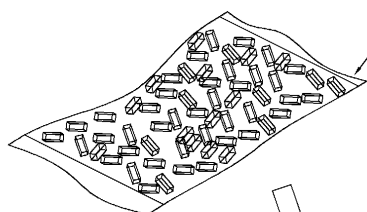
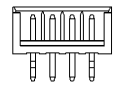
C1	REVISION RECORD	REVISD PER ECO-11-005301	RK HMR	APR11
LTR		ECO	DATE	

PRINT DIST
DW
DIMENSIONS IN MILLIMETERS. DO NOT SCALE PRINT.

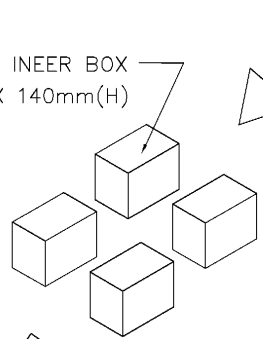
8 1 7 1 6 1 5 4 1 3 1 2 1 1
CUSTOMER DRAWING

NUMBER C-440052
 3RD ANGLE PROJECTION
 METRIC

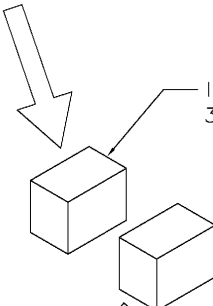
PRINT DIST DW
 DIMENSIONS IN MILLIMETERS. DO NOT SCALE PRINT.



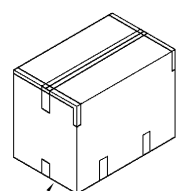
POLY BAG
 127mm(L)X 203mm(W)X 0.07mm(H)



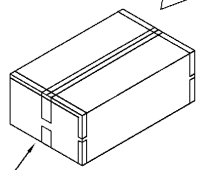
INEER BOX
 320mm(L)X 220mm(W)X 140mm(H)



INEER BOX
 320mm(L)X 220mm(W)X 140mm(H)



CARTON
 340mm(L)X 470mm(W)X 316mm(H)
 (FOR HEADER 6P~16P ONLY)



CARTON
 340mm(L)X 470mm(W)X 168mm(H)
 (FOR HEADER 2P~5P ONLY)

12,960	180	15P	3-440052-5	1-440052-5
12,000	200	14P	3-440052-4	1-440052-4
14,400	200	13P	3-440052-3	1-440052-3
16,000	250	12P	3-440052-2	1-440052-2
16,000	250	11P	3-440052-1	1-440052-1
20,000	250	10P	3-440052-0	1-440052-0
21,600	300	9P	2-440052-9	440052-9
25,200	350	8P	2-440052-8	440052-8
28,000	350	7P	2-440052-7	440052-7
35,000	350	6P	2-440052-6	440052-6
20,000	500	5P	2-440052-5	440052-5
24,000	600	4P	2-440052-4	440052-4
30,000	750	3P	2-440052-3	440052-3
36,000	1,000	2P	2-440052-2	440052-2
APQ (PCS/CARTON)	PPQ (PCS/BAG)	CIRCUITS	YELLOW	NATURAL
			HOUSING COLOR	
			PART NUMBER	

TOLERANCES UNLESS OTHERWISE SPECIFIED:		DWN	O. HU	TE Connectivity NAME 2.5 MM PITCH HPI VERTICAL POST HEADERS
0 PLC ±	1 PLC ±	27-SEP-2002	27-SEP-2002	
2 PLC ±	3 PLC ±	CHK	J. CHENG	LOG SIZE DRAWING NO. REV DW A3 C-440052 C1 SCALE SHEET -- 2 OF 2
ANGLES ±		APVD	J. WU	
MATERIAL	SEE SHEET 1.	PRODUCT SPEC	27-SEP-2002	
FINISH	SEE SHEET 1.	APPLICATION SPEC	WEIGHT	

LTR	REVISION RECORD	SEE SHEET 1.	ECO	DWN/CHK	DATE
-----	-----------------	--------------	-----	---------	------

CUSTOMER DRAWING