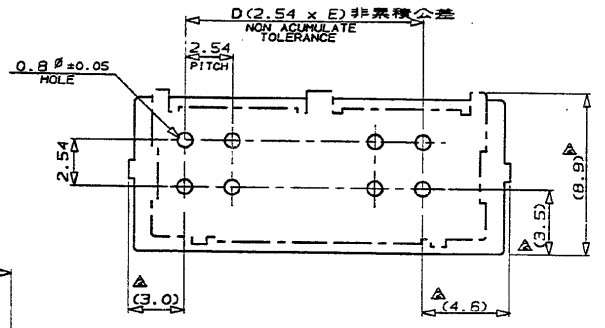
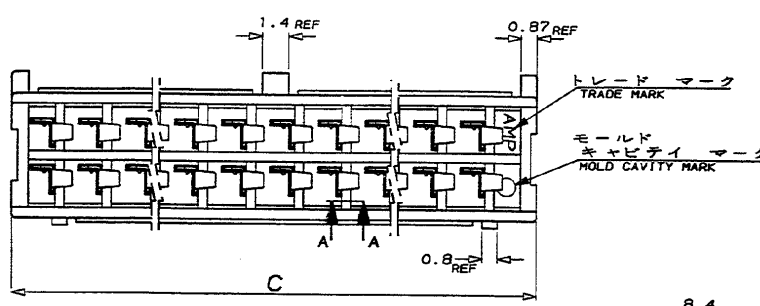
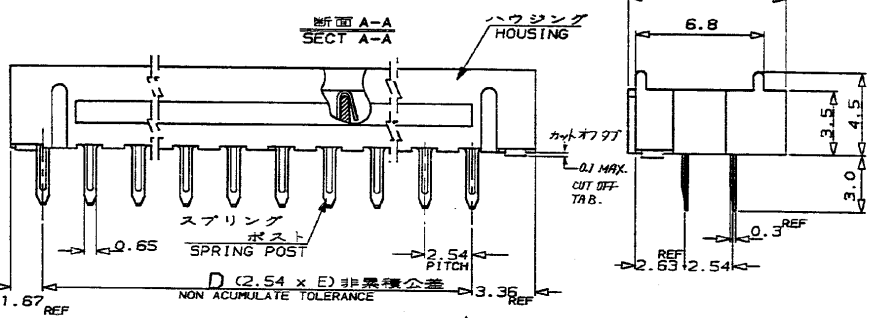


NUMBER C-173052
3-1/2 ANGLE PROJECTION
METRIC



RECOMMENDED MOUNTING HOLE PATTERN
TOLERANCE: ±0.1
PCB THK: 1.6 t
(THE REVERSE SIDE OF PCB PATTERN)

推奨基板寸法
公差: ±0.1
基板厚: 1.6t
(基板パターンの裏側を表示)



NOTES:
 △ MATERIAL
 HOUSING: PBT 20% GF (UL94V-0) BLACK
 SPRING POST: Phos-Bz (PRE-TIN), 0.15THK.
 △ CONN. AREA
 3. MATING RECE HSG & RECE ASS'Y
 CRIMP RECE HSG: 172865
 MT RECE ASS'Y: 172866
 △ OBSOLETE PARTS: OBSOLETE CIS STREAMLINING PER D.RENAUD/D.SINISI

註 △ 材料
 ハウジング
 ガラス入りPBT(UL 94V-0)黒色
 スプリング ポスト
 リン青銅(錫めっき付)板厚0.15t
 △ コネクタ占有範囲
 3. 適用リセ ハウジング型番
 圧着型: 172865
 圧接型: 172866

30.44	25.40	10	22	2-173052-2
66.00	60.96	24	50	5- -0
53.30	48.26	19	40	4- -0
48.22	43.18	17	36	3- -6
45.68	40.64	16	34	3- -4
43.14	38.10	15	32	3- -2
40.60	35.56	14	30	3- -0
38.06	33.02	13	28	2- -8
35.52	30.48	12	26	2- -6
32.98	27.94	11	24	2- -4
27.90	22.86	9	20	2- -0
25.36	20.32	8	18	1-173052-B
C	D	E	Pos.	PART.No

△ OBSOLETE

© 1984 BY AMP (Japan) LTD.
 ALL RIGHTS RESERVED.
 AMP PRODUCTS COVERED BY PATENTS
 AND OR PATENTS PENDING

AMP AMP (JAPAN), LTD.
 Tokyo, Japan

B1	REVISED PER ECO-09-022424	KK	AEG	WIRE RANGE	INSULATION DIA	NAME
B	REVISED (7-1072)	CS	NO	AMP (CAMP -)	AMP	SPR HDR ASS'Y V-TIN (WITHOUT POLARIZATION)
A	REVISED (7-9245)	CS	NO	MATERIAL	FINISH	AMP ULTREX 2.54 DBL ROM CONN.
O1	REVISED (JBS-8319)	T.S.X	NO	SEE NOTES	SEE NOTES	GENERAL TOLERANCE
O	RELEASED	E.YN.	NO	DR. E. YOSHIDA	DE. E. YOSHIDA	0.004 10 ± 0.2
LTR	REVISION RECORD	DR	CHK	CHK. N. ONOUE	APP. A. TOMITA	10.004 30 ± 0.25
						30.004 100 ± 0.3
						ANGLES ± 3°

SIZE LOC NUMBER
 A3 J C-173052
 SCALE 5-1 REV. B1 SHEET 1 OF 1

CUSTOMER DRAWING

PRINT DIST
 DIMENSIONS IN MILLIMETERS. DO NOT SCALE PRINT
 AMP-J
 REV. 10/83