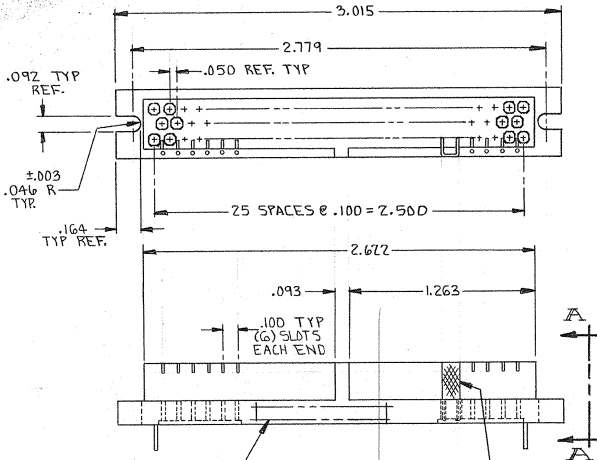


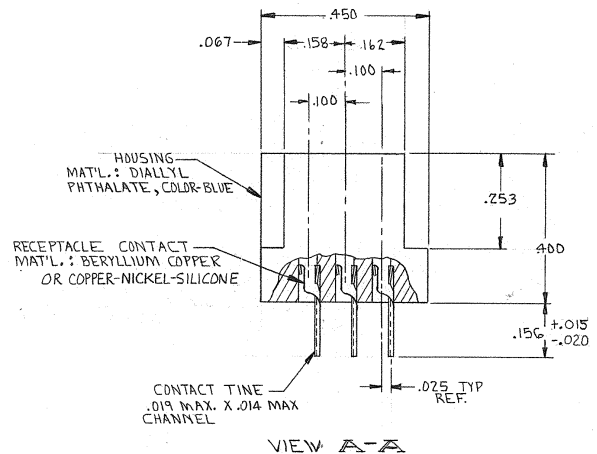
DRAWING MADE IN AMERICAN PROJECTION
 AMP INCORPORATED. ALL RIGHTS RESERVED. AMP PRODUCTS COVERED BY PATENTS AND/OR PATENTS PENDING.

583811-1 AS SHOWN

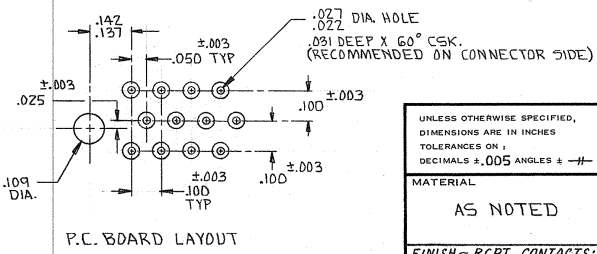
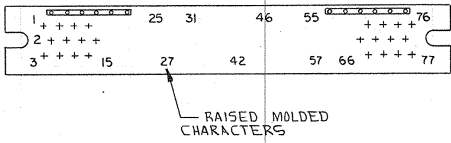
REVISIONS					
ZONE	LTR	DESCRIPTION	DATE	APPROVED	
A		REVISED FINISH 7228	M.S.	2-28-72	RS
B		REVISED PER ECN AB-0535	AL	2-27-73	ELM
C		REVISED PER ECN DF-5141	TA		SKY
D		REV PER 0600-7487-98	JY	10-5-98	PL
E		REV PER ECO-07-004569		3-07	PY



MARK "AMP", PART NO & DATE CODE
 KEYS PURCHASED SEPARATELY & INSTALLED BY CUSTOMER AS REQUIRED



VIEW A-A



KEYING SLOT TO BE PROVIDED IN DAUGHTER BOARD BY CUSTOMER

UNLESS OTHERWISE SPECIFIED, DIMENSIONS ARE IN INCHES TOLERANCES ON: DECIMALS ±.005 ANGLES ± #	CONTRACT NO.	AMP INCORPORATED HARRISBURG, PENNSYLVANIA	
	DR <i>J.H. Woodard</i> 1/26/72	NAME RECEPTACLE ASSEMBLY, BOX CONNECTOR, 77 POSITION	
MATERIAL AS NOTED	APPD <i>R.S. Veeh</i> 1/28/72	SIZE C	CODE IDENT NO. 00779
FINISH - RCPT. CONTACTS: .000030 GOLD IN CONTACT AREA - .000100 TIN-LEAD ON TAILS, OVER .000030 NICKEL ENTIRE CONTACT	REL <i>R. Shaw</i> 1/21/72	NUMBER 583811	REV E
	OTHER APPD	SCALE 2:1	SHEET

CUSTOMER DRAWING