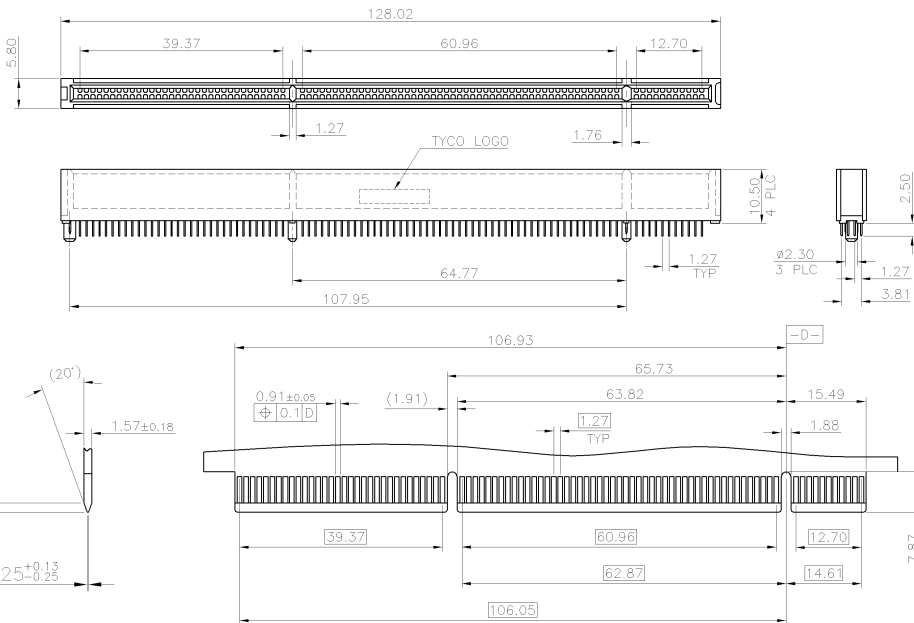


NUMBER
C-1734856

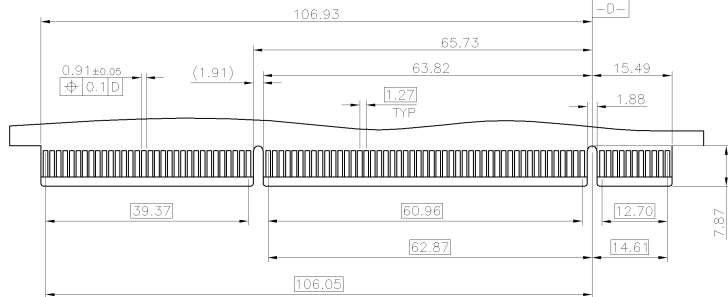
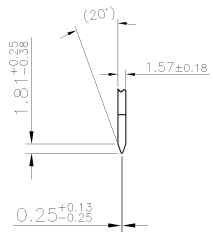
3RD ANGLE PROJECTION

METRIC

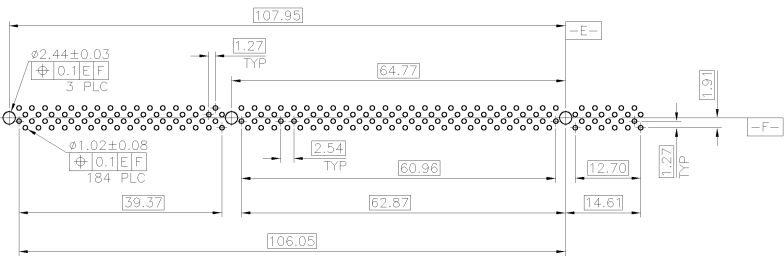
THIS INFORMATION IS CONFIDENTIAL AND IS RELEASED TO YOU ON CONDITION THAT NO FURTHER DISCLOSURE IS MADE BY YOU TO OTHER THAN AMP PERSONNEL WITHOUT DIMENSIONS IN MILLIMETERS. DO NOT SCALE PRINT.



- NOTE:
- MATERIAL:
HOUSING: THERMOPLASTIC WITH 30% GF, UL 94V-0, IVORY COLOR.
CONTACTS: PHOSPHOR BRONZE.
 - FINISH:
CONTACTS: (SEE TABLE) GOLD PLATED ON CONTACT AREA, 2.54μm [100μ"] MIN. TIN-COPPER ON SOLDER TAIL, WITH ENTIRE CONTACT UNDERPLATED 1.27μm [50μ"] MIN. NICKEL.
 - WAVE SOLDER CAPABLE TO 265°C AS PER TYCO SPEC. 109-202, CONDITION B.



RECOMMENDED MATING PCB LAYOUT



RECOMMENDED PCB LAYOUT (TOP VIEW)

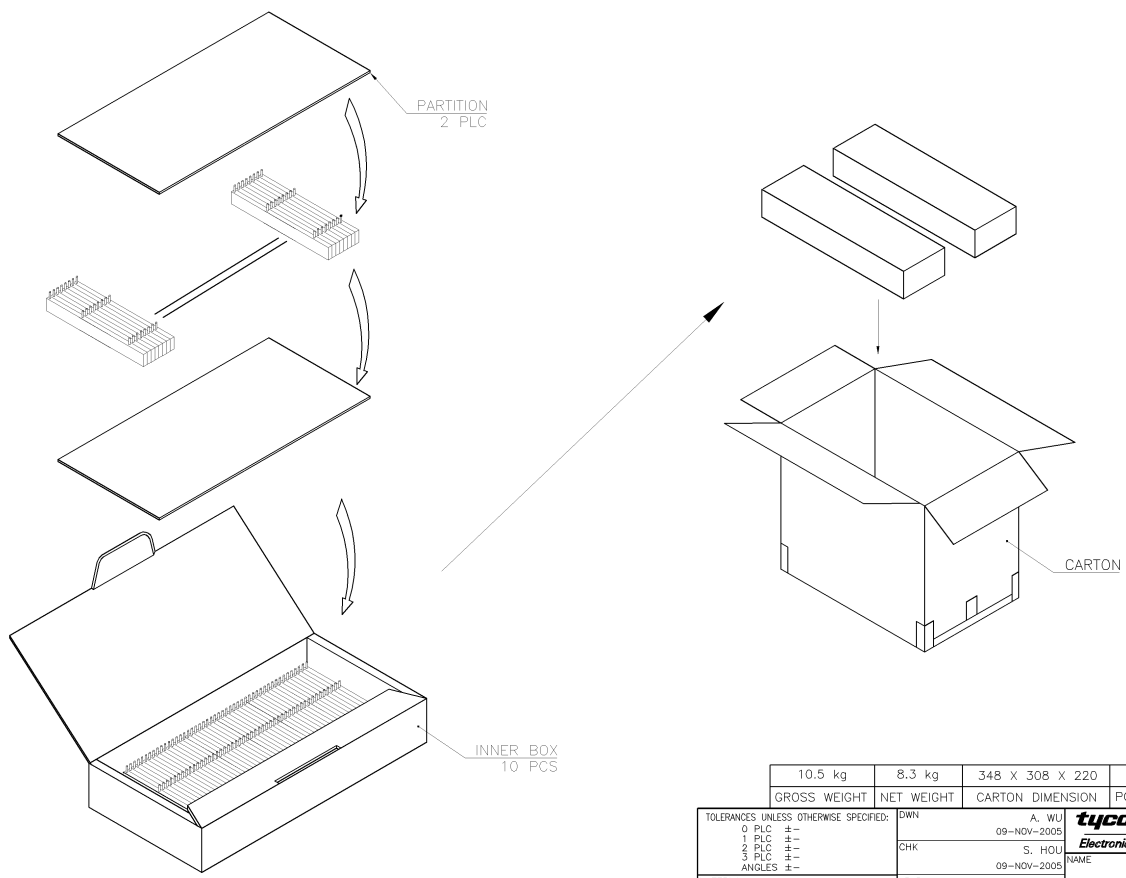
3.3 V	15 μ"	1734856-2
	G/F	1734856-1
VOLTAGE	MIN. GOLD THICKNESS	PART NUMBER

TOLERANCES UNLESS OTHERWISE SPECIFIED:	DWN	A. WU	TYCO HOLDINGS (BERMUDA)
0 PLC ±0.38	CHK	09-NOV-2005	VII LTD. TAIWAN BRANCH
1 PLC ±0.25		S. HOU	
2 PLC ±0.13		09-NOV-2005	
3 PLC ±0.05			
ANGLES ±1°			
MATERIAL	APVD	W.J. KE	NAME
SEE NOTE		09-NOV-2005	CARD EDGE, SLIM PCI 184 POS, LOW PROFILE
FINISH	PRODUCT SPEC		
SEE NOTE	108-57181		
	APPLICATION SPEC		LOC
	501-57174		SIZE
	WEIGHT		DRAWING NO
	8.3 GRAMS		C-1734856
			REV
			O
			SCALE
			--
			SHEET
			1 OF 2

0	FIRST RELEASED	--	AW	26JUL
LTR	REVISION RECORD	ECN	SH	2005
			DWN	DATE
			CHK	

NUMBER C-1734856
 METRIC
 3RD ANGLE PROJECTION

THIS INFORMATION IS CONFIDENTIAL AND IS RELEASED TO YOU ON CONDITION THAT NO FURTHER DISCLOSURE IS MADE BY YOU TO OTHER THAN AMP PERSONNEL WITHOUT DIMENSIONS IN MILLIMETERS. DO NOT SCALE PRINT.



SEE SHEET 1.	ECN	DWN/CHK	DATE
LTR	REVISION RECORD		

10.5 kg	8.3 kg	348 X 308 X 220	100	1000 PCS
GROSS WEIGHT	NET WEIGHT	CARTON DIMENSION	PCS/INNER BOX	QUANTITY

TOLERANCES UNLESS OTHERWISE SPECIFIED:	DWN	A. WU	TYCO HOLDINGS (BERMUDA)	
0 PLC ±		09-NOV-2005	VII LTD. TAIWAN BRANCH	
1 PLC ±	CHK	S. HOU	NAME	
2 PLC ±		09-NOV-2005	tyco Electronics	
3 PLC ±			CARD EDGE, SLIM PCI 184 POS, LOW PROFILE	
ANGLES ±			DRAWING NO	
MATERIAL	APVD	W.J. KE	LOC	SIZE
-		09-NOV-2005	DW	A ₃
FINISH	APPLICATION SPEC		C-1734856	REV
-			SCALE	O
	WEIGHT		2 OF 2	

CUSTOMER DRAWING