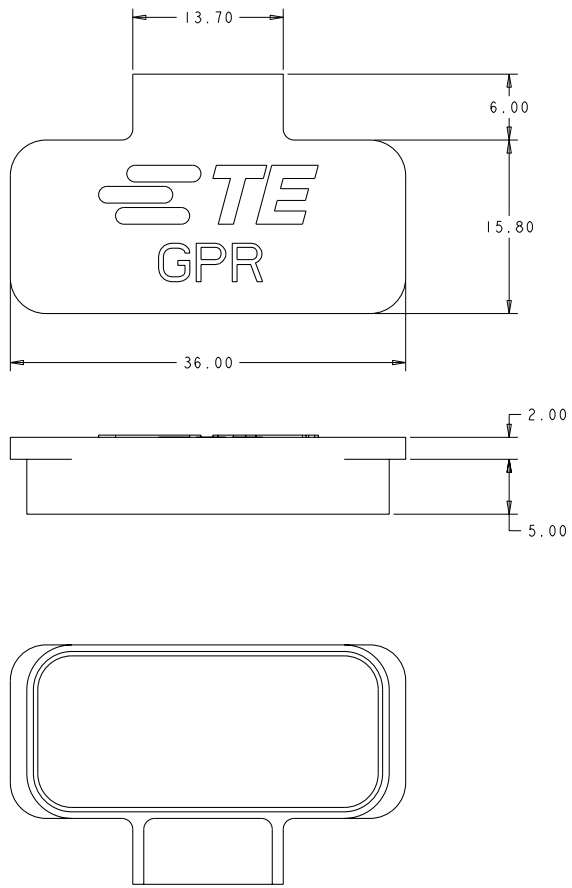


REVISIONS				
P	LY	DESCRIPTION	DATE	BY
3		REV PER ECO 11-014334	8-4-11	CT KH



△ THERMOPLASTIC ELASTOMER, COLOR: RED  
 2. THIS PRODUCT IS SOLD BY TE CONNECTIVITY UNDER A LICENSE FROM RADIAL SA.

1738213-1  
 PART NUMBER

THIS DRAWING IS A CONTROLLED DOCUMENT.		OWN R. ELAIG	23NOV2009	TE Connectivity	
DIMENSIONS: mm		CHK J. MOSIER	23NOV2009		
TOLERANCES UNLESS OTHERWISE SPECIFIED:		APP'D J. MOSIER	23NOV2009	NAME PROTECTIVE CAP, PLUG, GPRB1	
0 PLC	±	PRODUCT SPEC		APPLICATION SPEC	
1 PLC	±	APPLICATION SPEC		SHEET CASE CODE DRAWING NO	
2 PLC	±0.25	WEIGHT		A200779 ©-1738213	
3 PLC	±	FINISH		RESTRICTED TO	
4 PLC	±	MATERIAL		SCALE 4:1 SHEET 1 OF 1 REV 3	
ANGLES	±	CUSTOMER DRAWING			