

4

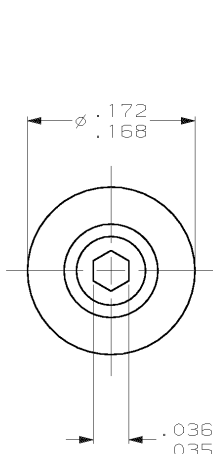
3

2

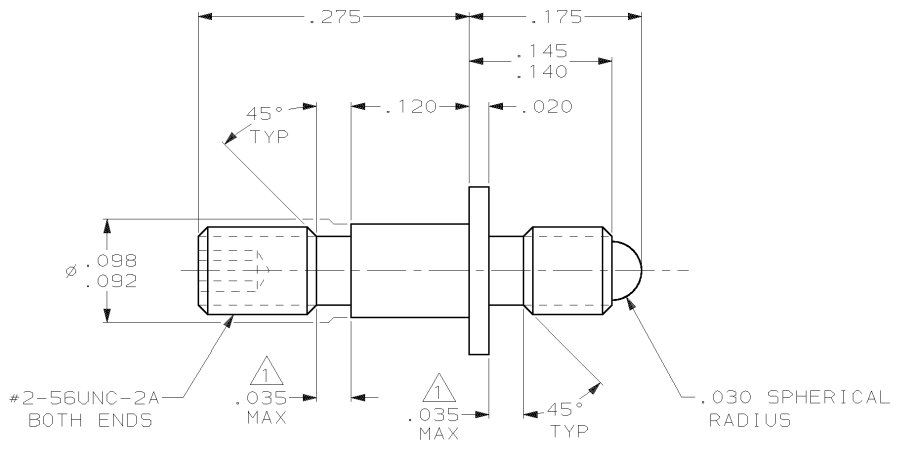
1

THIS DRAWING IS UNPUBLISHED. RELEASED FOR PUBLICATION .19
 BY AMP INCORPORATED. ALL RIGHTS RESERVED.

LOC		DIST		REVISIONS				
P	LTR	DESCRIPTION	DATE	DWN	APVD			
DF	FO	B	REV & REDRAWN; 0600-8364-99	3-00	CT	DM		



ACROSS FLATS
 3 X .060 \pm .020
 BROACHED FROM ϕ .037
 DRILLED HOLE.



\triangle NO THREADS IN THIS AREA.

534683-2
 PART NO.

THIS DRAWING IS A CONTROLLED DOCUMENT.		DWN C.C. THOMAS 3-2-00	AMP Incorporated Harrisburg, PA 17105-3608	
DIMENSIONS: INCHES	TOLERANCES UNLESS OTHERWISE SPECIFIED:	CHK D. MILLER 3-9-00	NAME D. MILLER 3-9-00	
	0 PLC \pm -	PRODUCT SPEC	JACKSCREW, MALE, MINI-BOX	
	1 PLC \pm -	APPLICATION SPEC	RESTRICTED TO	
MATERIAL STAINLESS STEEL	FINISH PASSIVATED	SIZE A3	CAGE CODE 00779	DRAWING NO C-534683
CUSTOMER DRAWING			SCALE 10:1	SHEET 1 OF 1