

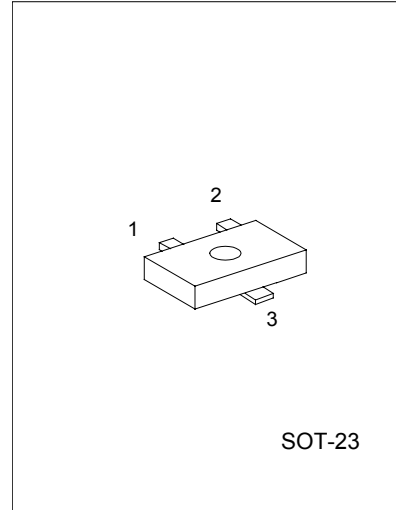
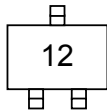
UTC MMBT9012 PNP EPITAXIAL SILICON TRANSISTOR

1W OUTPUT AMPLIFIER OF
POTABLE RADIOS IN CLASS B
PUSH-PULL OPERATION

FEATURES

- *High total power dissipation. (625mW)
- *High collector current. (-500mA)
- *Excellent hFE linearity
- *Complementary to UTC MMBT9013

MARKING



1: EMITTER 2: BASE 3: COLLECTOR

ABSOLUTE MAXIMUM RATINGS (Ta=25°C, unless otherwise specified)

PARAMETER	SYMBOL	RATING	UNIT
Collector-base voltage	VCBO	-40	V
Collector-emitter voltage	VCEO	-20	V
Emitter-base voltage	VEBO	-5	V
Collector current	Ic	-500	mA
Collector dissipation	Pc	225	mW
Junction Temperature	Tj	150	°C
Storage Temperature	TSTG	-55 ~ +150	°C

ELECTRICAL CHARACTERISTICS (Ta=25°C, unless otherwise specified)

PARAMETER	SYMBOL	TEST CONDITIONS	MIN	TYP	MAX	UNIT
Collector-base breakdown voltage	BVCBO	Ic=-100μA,IE=0	-40			V
Collector-emitter breakdown voltage	BVCEO	Ic=-1mA,IB=0	-20			V
Emitter-base breakdown voltage	BVEBO	IE=-100μA, Ic=0	-5			V
Collector cutoff current	ICBO	VCE=-25V,IE=0			-100	nA
Emitter cutoff current	IEBO	VEB=-3V,Ic=0			-100	nA
DC current gain	hFE1	VCE=-1V,Ic=-50mA	64	120	300	
	hFE2	VCE=-1V,Ic=-500mA	40	90		
Collector-emitter saturation voltage	VCE(sat)	Ic=-500mA,IB=-50mA		-0.18	-0.6	V
Base-emitter saturation voltage	VBE(sat)	Ic=-500mA,IB=-50mA		-0.95	-1.2	V
Base-emitter on voltage	VBE(on)	VCE=-1V,Ic=-10mA	-0.6	-0.67	-0.7	V

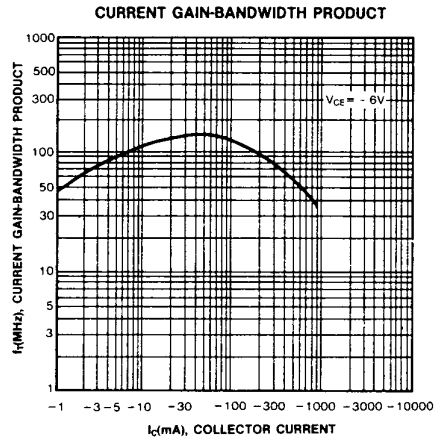
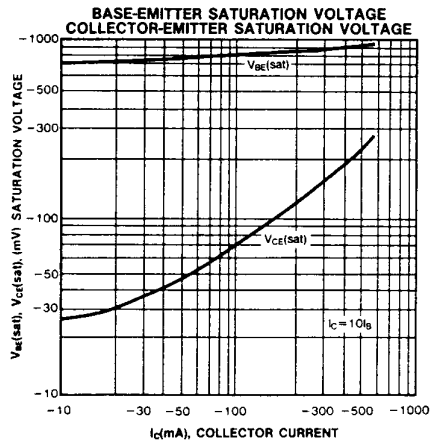
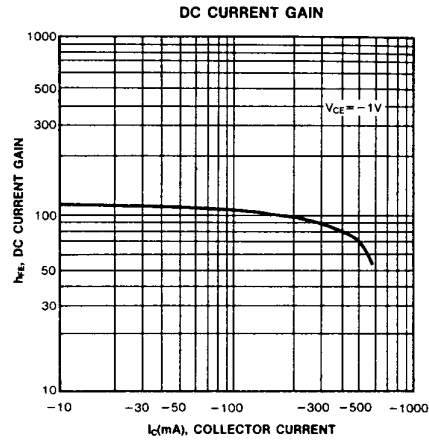
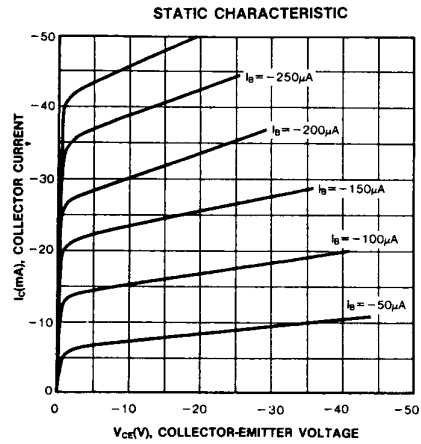
UTC UNISONIC TECHNOLOGIES CO., LTD. 1

QW-R206-020,A

UTC MMBT9012 PNP EPITAXIAL SILICON TRANSISTOR

CLASSIFICATION OF hFE1

RANK	D	E	F	G	H	I
RANGE	64-91	78-112	96-135	112-166	144-202	190-300



UTC MMBT9012 PNP EPITAXIAL SILICON TRANSISTOR

UTC assumes no responsibility for equipment failures that result from using products at values that exceed, even momentarily, rated values (such as maximum ratings, operating condition ranges, or other parameters) listed in products specifications of any and all UTC products described or contained herein. UTC products are not designed for use in life support appliances, devices or systems where malfunction of these products can be reasonably expected to result in personal injury. Reproduction in whole or in part is prohibited without the prior written consent of the copyright owner. The information presented in this document does not form part of any quotation or contract, is believed to be accurate and reliable and may be changed without notice.

UTC UNISONIC TECHNOLOGIES CO., LTD. 3

QW-R206-020,A