

DRAWING MADE IN THIRD ANGLE PROJECTION

THIS DRAWING IS UNPUBLISHED. RELEASED FOR PUBLICATION
 © COPYRIGHT 1983 BY AMP INCORPORATED, HARRISBURG, PA. ALL INTERNATIONAL RIGHTS RESERVED. AMP PRODUCTS MAY BE COVERED BY U.S. AND FOREIGN PATENTS AND/OR PATENTS PENDING.

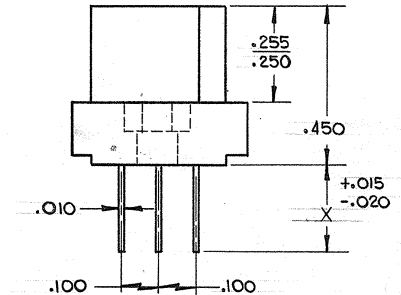
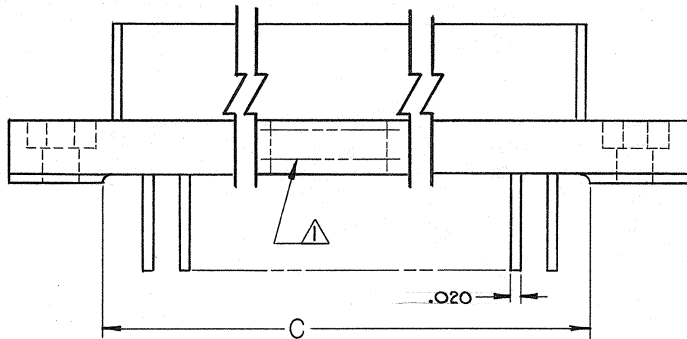
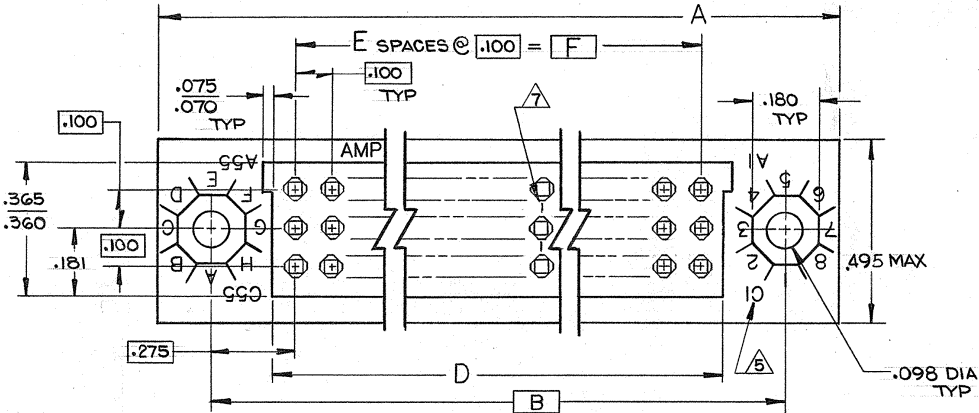
3

2

1

DF/FO

P	F	ZONE	LTR	DESCRIPTION	DATE	APPROVED
			0	WAS 5085-945		
0	✓		01	REV. ECN 8578	30 2-20-83	EM/let
1	✓		02	REVISED: ECN A80501	198 10-2-83	EM/let
2	✓		03	REV DIMS AB-1594	3-86	EM/let
3	✓		A	REV PER DF-0179-021-1520ND-0777	4-88	T.W.
4	✓		B	REV PER ECN DF-1696	N.F. 6-89	EM/let
5	✓		C	REACTIVATE -2, -5, -11 PER DF-3060		EM/let
6	✓		D	REV PER DF-6974	TA 7-93	EM/let
7	✓		E	REV 0600-5641-96	TT 9-97	EM/let
8	✓		F	REV PER ECO-05-0132 89	11-05	PY



UNLESS OTHERWISE SPECIFIED DIMENSIONS ARE IN INCHES.		CONTRACT NO		AMP AMP INCORPORATED Harrisburg, Pa. 17105	
TOLERANCES ON: DECIMALS ±.010 ANGLES		DR	5-31-83	NAME RECEPTACLE ASSEMBLY, .100¢, 3 ROW WITH MOUNTING EARS, BOX CONTACT, .010 X .020 POST	
MATERIAL		CHK	6-2-83	SIZE	FSCM NO
FINISH		APPD	6-2-83	C	00779
		APPD	6-2-83	DRAWING NO	532786
		DSGN APPD		SCALE	5-1
		OTHER APPD		SHEET 1 OF 2	

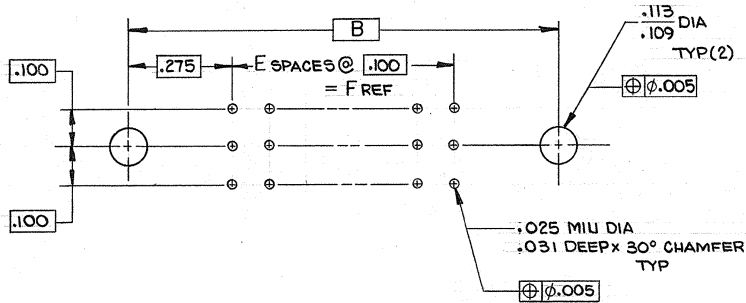
CUSTOMER DRAWING

AMP 1471-6 REV 2-81

DRAWING MADE IN THIRD ANGLE PROJECTION

THIS DRAWING IS UNPUBLISHED. RELEASED FOR PUBLICATION
 © COPYRIGHT 1983 BY AMP INCORPORATED, HARRISBURG, PA. ALL INTERNATIONAL RIGHTS RESERVED. AMP PRODUCTS MAY BE COVERED BY U.S. AND FOREIGN PATENTS AND/OR PATENTS PENDING.

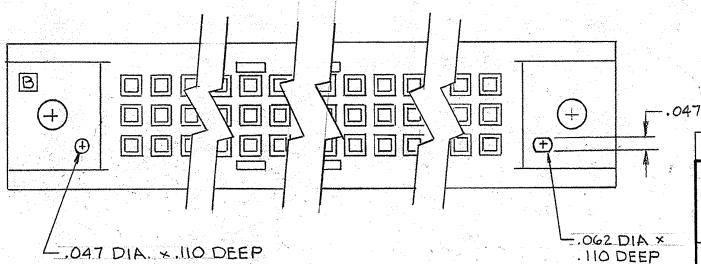
P	F	ZONE	LTR	DESCRIPTION	DATE	APPROVED
			F	SEE SHEET 1		



P.C. BOARD LAYOUT

- ▲ AMP, DATE CODE AND PART NUMBER MARKED THIS AREA
- ▲ HOUSING MATERIAL: POLYPHENYLENE SULFIDE GST-40F PER MIL-M-24519.
- ▲ CONTACT MATERIAL: BERYLLIUM COPPER OR COPPER-NICKEL-SILICONE
- ▲ CONTACT FINISH: .000050 GOLD OVER .000030 NICKEL.
- ▲ LETTERS INDICATING OUTSIDE ROW AND NUMBERS INDICATING END CAVITIES MARKED THIS SURFACE.
- ▲ MIL-C-55302 GROUP 'A' INSPECTION REQUIRED.
- ▲ LINES INDICATING EVERY FIVE CAVITIES MARKED ON MATING FACE.
- ▲ "OBSOLETE PART NUMBER"

▲	.310	6.500	65	6.624	6.725	7.050	7.350	198	1-532786-5
▲	.235	6.400	64	6.524	6.625	6.950	7.250	195	1-532786-4
▲		4.400	44	4.524	4.625	4.950	5.250	195	1-
▲		3.600	36	3.724	3.825	4.150	4.450	111	1-
▲		1.900	19	2.024	2.125	2.450	2.750	60	1-
▲		4.100	41	4.224	4.325	4.650	4.950	126	1-
▲		4.000	40	4.124	4.225	4.550	4.850	123	1-
▲		7.900	79	8.024	8.125	8.450	8.750	240	1-
▲		6.900	69	7.024	7.125	7.450	7.750	210	1-
▲		5.900	59	6.024	6.125	6.450	6.750	180	1-
▲		5.400	54	5.524	5.625	5.950	6.250	165	1-
▲		4.900	49	5.024	5.125	5.450	5.750	150	1-
▲		3.900	39	4.024	4.125	4.450	4.750	120	1-
▲		3.400	34	3.524	3.625	3.950	4.250	105	1-
▲	.235	2.900	29	3.024	3.125	3.450	3.750	90	532786-1



UNLESS OTHERWISE SPECIFIED DIMENSIONS ARE IN INCHES. TOLERANCES ON: DECIMALS ± .010 ANGLES	CONTRACT NO	AMP AMP INCORPORATED Harrisburg, Pa. 17105	
	DR	NAME RECEPTACLE ASSEMBLY, .100C, 3 ROW WITH MOUNTING EARS, .010 X .020 POST	
	CHK	SIZE C	FSCM NO 00779
	MATERIAL	DSGN APPD	DRAWING NO 532786
FINISH	OTHER APPD	SCALE	SHEET 2 OF 2

CUSTOMER DRAWING