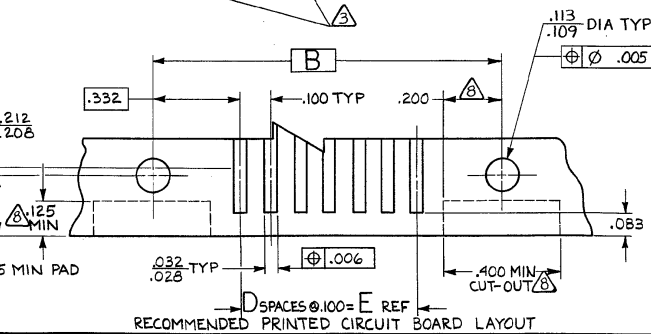
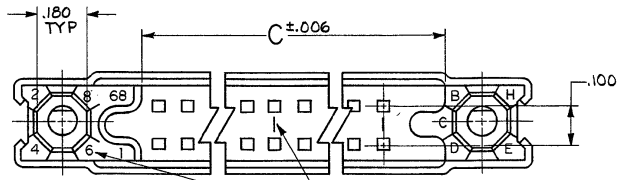
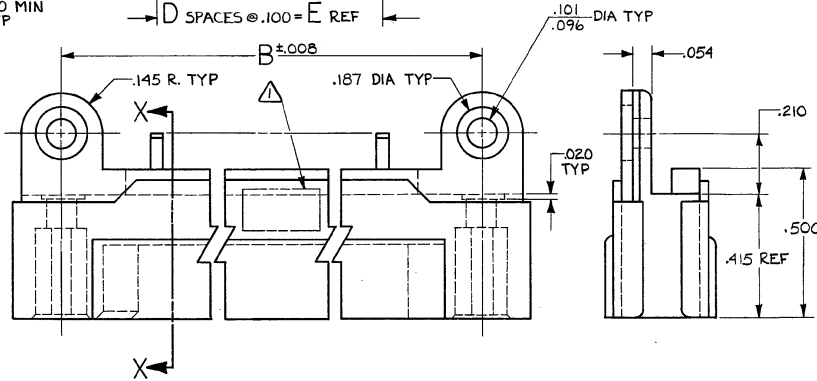
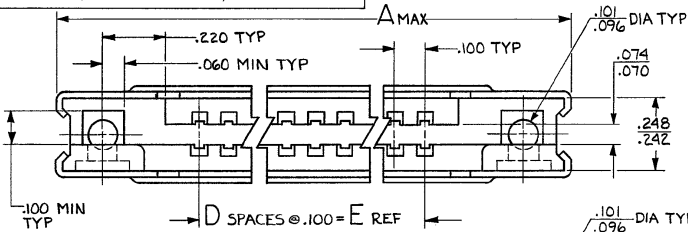


DRAWING MADE IN THIRD ANGLE PROJECTION

© COPYRIGHT 1980 BY AMP INCORPORATED, HARRISBURG, PA.
 ALL INTERNATIONAL RIGHTS RESERVED. AMP INCORPORATED PRODUCTS
 COVERED BY U. S. AND FOREIGN PATENTS AND/OR PATENTS PENDING.

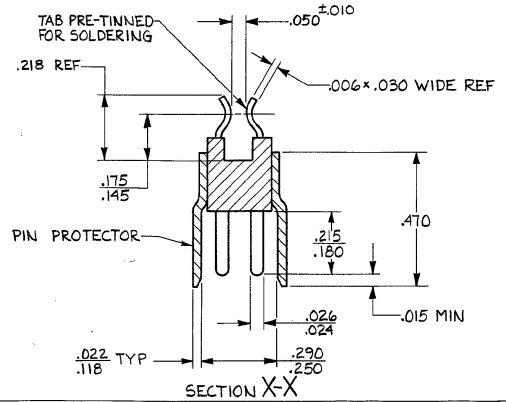
LOC DIST
 15110

		REVISIONS				
P	F	ZONE	LTR	DESCRIPTION	DATE	APPROVED
				O1 REVISED	6924 M.S.	10-30 P-7
				A REV PER DE-0089ADF-0117 IS	11-20	
				B REV 0600-5641-96	11	9-97
				C REV PER 0600-7169-98	JY	9-98



△ AMP, PART NUMBER, AND DATE CODE MARKED THIS AREA, SIDE OPTIONAL

- △ NUMBERS MOLDED OR MARKED .062 HIGH AND LINES INDICATING EVERY FIVE CAVITIES MOLDED OR MARKED ON THE MATING FACE.
- △ USES KEY 530341-1, RIVET 530347-1, AND CLINCHING TOOL 9111T-1
- △ HOUSING MATERIAL - DIALYL PHTHALATE TYPE 506-F, COLOR-BLUE
- △ CONTACT MATERIAL - BRASS FINISH-.000030 GOLD OVER .000050 NICKEL
- △ PIN PROTECTOR MATERIAL - ALUMINUM
- △ OPTIONAL CUT-OUT FOR KEYING AFTER CONNECTOR IS MOUNTED



UNLESS OTHERWISE SPECIFIED DIMENSIONS ARE IN INCHES. TOLERANCES ON: DECIMALS ±.005 ANGLES		CONTRACT NO	PART NO
MATERIAL	FINISH	DR: Debra Kelly 3-5-80 CHK: [Signature] APPD: [Signature] DSGN APPD: [Signature] OTHER APPD:	AMP AMP INCORPORATED Harrisburg, Pa.
NAME BOX CONNECTOR PIN HEADER, .100 GRID		SIZE CODE IDENT NO DRAWING NO C 00779 531842	
SCALE 4-1		SHEET 10F2	

CUSTOMER DRAWING

AMP 1471-6 REV 12-78

DRAWING MADE IN THIRD ANGLE PROJECTION

© COPYRIGHT 1980 BY AMP INCORPORATED, HARRISBURG, PA. ALL INTERNATIONAL RIGHTS RESERVED. AMP INCORPORATED PRODUCTS COVERED BY U. S. AND FOREIGN PATENTS AND/OR PATENTS PENDING.

3 2 1

LOC DIST DE FO

REVISIONS						
P	F	ZONE	LTR	DESCRIPTION	DATE	APPROVED
				C SEE SHEET 1		

OBSOLETE	7/16	6.900	69	7.175	7.565	7.935	140	1-531842-3
OBSOLETE	1/2	6.600	66	6.875	7.265	7.635	134	1-2
OBSOLETE	5/8	6.400	64	6.675	7.065	7.435	130	1-1
OBSOLETE	3/4	5.900	59	6.175	6.565	6.935	120	1-0
OBSOLETE	3/4	5.400	54	5.675	6.065	6.435	110	-9
	5/8	4.900	49	5.175	5.565	5.935	100	-8
	1/2	4.400	44	4.675	5.065	5.435	90	-7
	1/2	3.900	39	4.175	4.565	4.935	80	-6
OBSOLETE	3/4	3.400	34	3.675	4.065	4.435	70	-5
	3/4	2.900	29	3.175	3.565	3.935	60	-4
	1/2	2.400	24	2.675	3.065	3.435	50	-3
OBSOLETE	1/2	1.900	19	2.175	2.565	2.935	40	-2
OBSOLETE	1/4	1.400	14	1.675	2.065	2.435	30	531842-1

UNLESS OTHERWISE SPECIFIED DIMENSIONS ARE IN INCHES. TOLERANCES ON: DECIMALS ± ANGLES ±	CONTRACT NO	AMP AMP INCORPORATED Harrisburg, Pa.
	DR <i>Debra Kelly</i> 3-5-80	
MATERIAL	CHK <i>James Dulin</i> 7/11/80	NAME BOX CONNECTOR PIN HEADER, .100 GRID
	APPD <i>Frank W. Dulin</i> 7/11/80	
FINISH	APPD <i>E. Thomas</i> 7/11/80	SIZE CODE IDENT NO DRAWING NO C 00779 531842
	OTHER APPD	
		SCALE
		SHEET 2 OF 2

CUSTOMER DRAWING