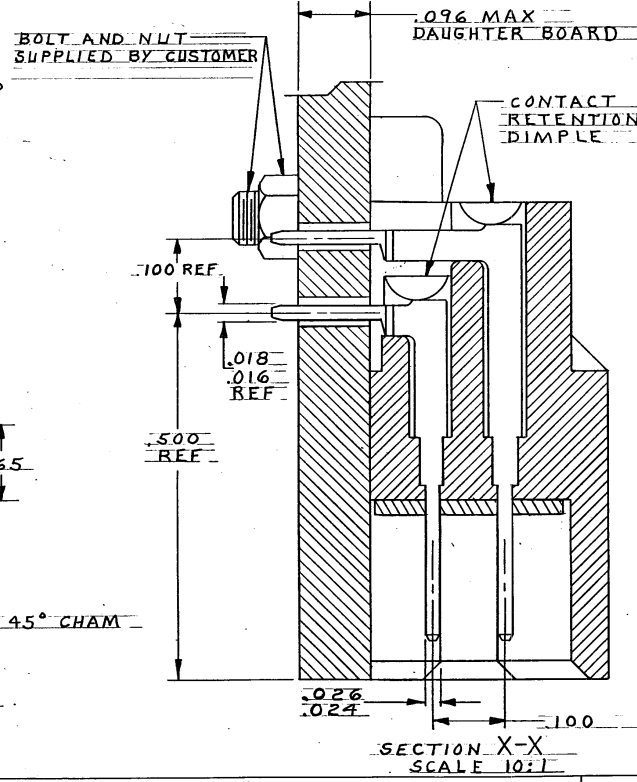
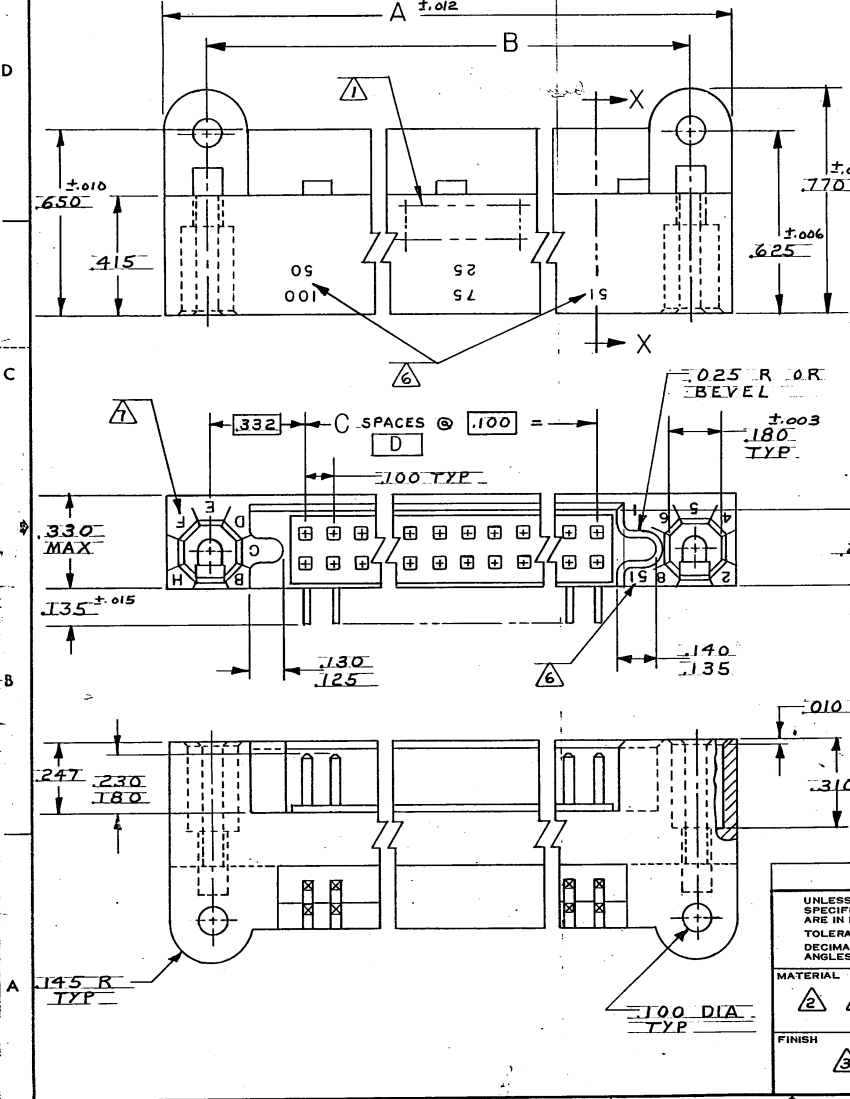


DRAWING MADE IN THIRD ANGLE PROJECTION

THIS DRAWING IS UNPUBLISHED, RELEASED FOR PUBLICATION
 © COPYRIGHT 19 BY AMP INCORPORATED, HARRISBURG, PA. ALL INTERNATIONAL RIGHTS RESERVED. AMP PRODUCTS MAY BE COVERED BY U.S. AND FOREIGN PATENTS AND/OR PATENTS PENDING.

5345				LOG	DF	FO
REVISIONS						
P	F	ZONE	LTR	DESCRIPTION	DATE	APPROVED
		J		ECO-08-020831	PY 10-08	BW



UNLESS OTHERWISE SPECIFIED DIMENSIONS ARE IN INCHES. TOLERANCES ON: DECIMALS $\pm .005$ ANGLES \pm	CONTRACT NO	AMP AMP INCORPORATED Harrisburg, Pa. 17105		
	DR	NAME BOX CONNECTOR, PIN		
	CHK	ASSY, RIGHT ANGLE, 100I		
	APPD	SERIES, W/GASKET		
MATERIAL	10-28-81	SIZE	FSCM NO	DRAWING NO
FINISH	12-16-81	C	00779	531722
	12-21-81	SCALE	4:1	SHEET 1 OF 2

CUSTOMER DRAWING

AMP 1471-6 REV 2-81

531722

DRAWING MADE IN THIRD ANGLE PROJECTION

3

2

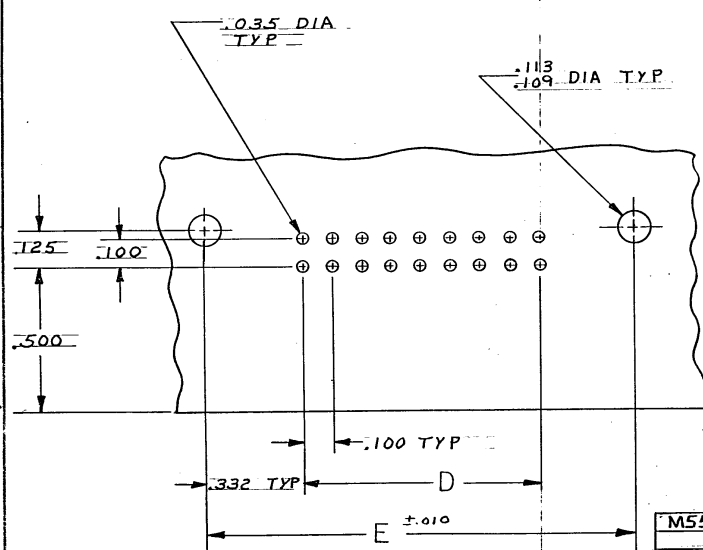
5365 LOC DF DIST

THIS DRAWING IS UNPUBLISHED. RELEASED FOR PUBLICATION, 19
 © COPYRIGHT 19 BY AMP INCORPORATED, HARRISBURG, PA. ALL INTERNATIONAL RIGHTS RESERVED. AMP PRODUCTS MAY BE COVERED BY U.S. AND FOREIGN PATENTS AND/OR PATENTS PENDING.

P		F		Z		L		R		REVISIONS	
DATE	APPROVED	DATE	APPROVED	DATE	APPROVED	DATE	APPROVED	DATE	APPROVED	DESCRIPTION	DATE
										SEE SHT 1	

D
C
B
A

D
C
B
A



RECOMMENDED P.C. BOARD LAYOUT

- ⚠ AMP 00779, PART NUMBER, DATE CODE AND MILITARY PART NO. TO BE MARKED IN THIS APPROX AREA.
- ⚠ HOUSING: GLASS FILLED POLYESTER COLOR - BLUE
- ⚠ CONTACT: BRASS FINISH: .000050 GOLD OVER NICKEL IN CONTACT AREA, TIN LEAD OVER NICKEL ON CONTACT TAILS.
- ⚠ GASKET: SILICONE RUBBER.
- ⚠ MIL-C-55302 GROUP A INSPECTION REQUIRED.
- ⚠ NUMBERS INDICATING EVERY FIVE CAVITIES MARKED ON SIDE, NUMBERS INDICATING END CAVITIES MARKED ON MATING FACE
- ⚠ KEY POSITION IDENTIFICATION MOLDED ON SURFACE SHOWN.
- ⚠ OBS PART NO.

M55302/110-35	1-71	7.565	6.900	69	7.565	7.855	140	1-531722-3
	-34	1-68	7.265	6.600	66	7.265	7.555	134
	-33	1-66	7.065	6.400	64	7.065	7.355	130
	-32	1-61	6.565	5.900	59	6.565	6.855	120
	-27	1-56	6.065	5.400	54	6.065	6.355	110
	-26	1-51	5.565	4.900	49	5.565	5.855	100
	-25	1-46	5.065	4.400	44	5.065	5.355	90
	-24	1-41	4.565	3.900	39	4.565	4.855	80
	-23	1-36	4.065	3.400	34	4.065	4.355	70
	-22	1-31	3.565	2.900	29	3.565	3.855	60
	-21	1-26	3.065	2.400	24	3.065	3.355	50
	-20	1-21	2.565	1.900	19	2.565	2.855	40
M55302/110-19	1-16	2.065	1.400	14	2.065	2.355	30	531722-1

MILITARY PART NUMBER	CONTACT IDENT NO.	E	D	C	B	A	NO. OF POSITION	PART NO

UNLESS OTHERWISE SPECIFIED DIMENSIONS ARE IN INCHES. TOLERANCES ON: DECIMALS ±.005 ANGLES	CONTRACT NO DR <i>M. Smith</i> 10-29-81 CHK'D <i>W. L. ...</i> 12-16-81 APPD <i>W. L. ...</i> 12-16-81 S. J. ... 12-12-81	AMP INCORPORATED Harrisburg, Pa. 17105
MATERIAL ⚠ ⚠ ⚠	APPROVED OTHER APPD	NAME BOX CONNECTOR, PIN ASSY, RIGHT ANGLE, 100I SERIES, W/GASKET
FINISH ⚠	SIZE C 00779	DRAWING NO 531722
	SCALE 4:1	REV J
		SHEET 2 of 2

AMP 1471-6 REV 2-81

CUSTOMER DRAWING