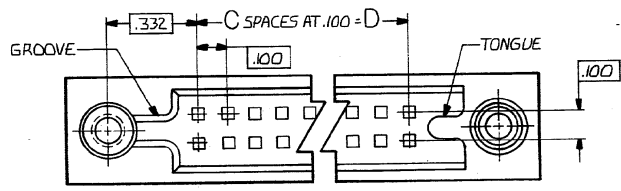
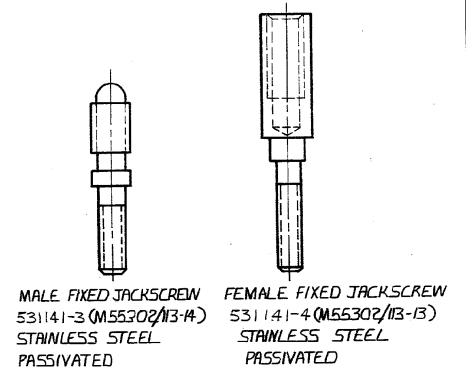
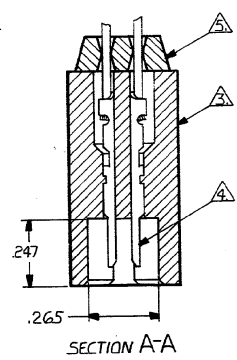
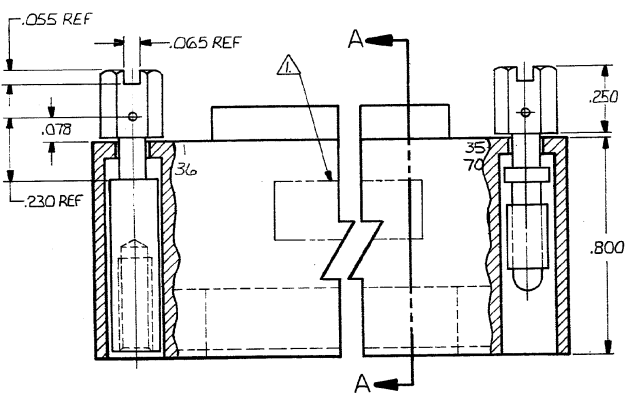
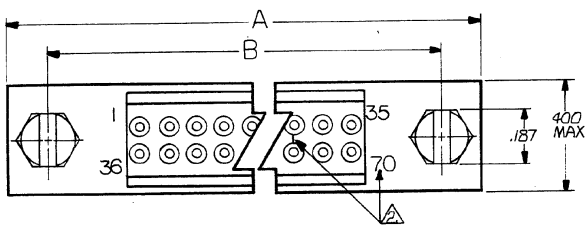


DRAWING MADE IN THIRD ANGLE PROJECTION
 © COPYRIGHT 1978 BY AMP INCORPORATED, HARRISBURG, PA.
 ALL INTERNATIONAL RIGHTS RESERVED. AMP INCORPORATED PRODUCTS
 COVERED BY U. S. AND FOREIGN PATENTS AND/OR PATENTS PENDING.

| REVISIONS | | | |
|-----------|-----|---|-----------------|
| ZONE | LTR | DESCRIPTION | DATE APPROVED |
| A | | REVISED | 6/6/78 4-80 CLK |
| A | 1 | REVISED 6924 | M.S. 11-80 P.M. |
| B | | 035-2-3-4-5-6-7-8-9-10-11-12-13-14-15-16-17-18-19-20 | 1/1/80 T.W. |
| C | | REACTIVATE 3-4-5-6-7-8-9-10-11-12-13-14-15-16-17-18-19-20 | 1-89 T.W. |
| D | | REV PER DF-1540 | 7/2/89 J.M. |
| E | | ECO-08-020846 | PY 11-08 JW |



| | | | | | |
|--|---------------------------------|---|-------------------------|----------------------|--|
| UNLESS OTHERWISE SPECIFIED DIMENSIONS ARE IN INCHES. TOLERANCES ON: DECIMALS ±.010 ANGLES ±.010 | | CONTRACT NO. 531141-3 | | PART NO. | |
| MATERIAL 304 | APPD Robert W. Duran 7/13/78 | NAME CRIMP SNAP BOX CONNECTOR KIT, WITH GASKET .100¢ | | REV E | |
| FINISH 4 | APPD Robert W. Duran 7/13/78 | SIZE C 00779 | CODE IDENT NO 530886 | DRAWING NO 530886 | |
| OTHER APPD | | SCALE 4:1 | | SHEET 1 OF 2 | |

CUSTOMER DRAWING

AMP 1471-6 (7-78)

