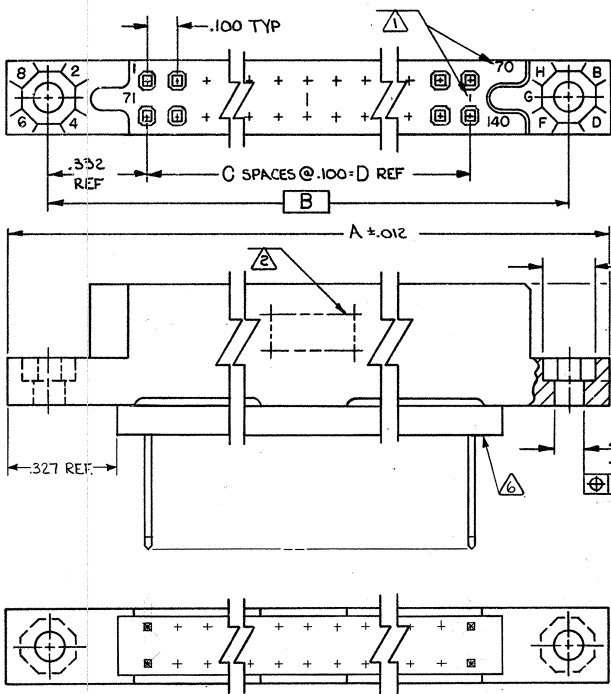


DRAWING MADE IN THIRD ANGLE PROJECTION

© COPYRIGHT 19 BY AMP INCORPORATED, HARRISBURG, PA.
ALL INTERNATIONAL RIGHTS RESERVED. AMP INCORPORATED PRODUCTS
COVERED BY U. S. AND FOREIGN PATENTS AND/OR PATENTS PENDING.



| REVISED | | DATE | APPROVED |
|---------|---------------------------|---------|----------|
| Q | REVISED 6898 | 8/6 | 9-11-80 |
| A | REV. PER ECN AB-0535 | 8/6 | 12585 |
| B | REV. PER DF-0457 | 5-18-88 | SC 898 |
| C | REV PER DF-0089 & DF-0117 | 1/9 | 11/88 |
| D | REV PER 0600-5631-96 | TT | 8-98 |
| E | REV PER 0600-5859-96 | TT | 9-98 |
| F | REV PER 0600-6466-97 | TT | 10-98 |
| H | REV PER ECO-05-0132-83 | TT | 11-08 |
| J | REV PER DH14-020B-05 | TT | 1-06 |

- △ CAVITY IDENTIFICATION (SEE CHART) + LINES INDICATING EVERY 5th CAVITY MOLDED OR MARKED.
- △ AMP PART NO. + DATE CODE INK STAMPED (WHITE).
- △ HOUSING MAT'L: DIALYL PHTHALATE
COLOR: BLUE
- △ CONTACT MAT'L: BERYLLIUM COPPER OR COPPER-NICKEL-SILICONE
CONTACT FINISH: .000030 GOLD IN CONTACT AREA
OVER .000030 NICKEL ALL OVER, TIN-LEAD PLATED POSTS.
- △ POST STABILIZER: GLASS FILLED THERMOPLASTIC
COLOR- BLACK
- △ EPOXY ADDED TO AREA WHERE THE CONTACT POSTS
EMERGE FROM THE STABILIZER TO INSURE
POST TRUE POSITION.
- △ CONTACT FINISH: .000030 GOLD IN CONTACT AREA
OVER .000030 NICKEL ALL OVER TIN PLATED POSTS

| CAVITY IDENTIFICATION | F | D | C | B | A | NO OF POS | PART NO |
|-----------------------|--------|-------|-------|----|-------|-----------|---------|
| 1/51 | 50/100 | 4.975 | 4.900 | 49 | 5.565 | 5.855 | 100 |
| 1/41 | 40/80 | 3.975 | 3.900 | 39 | 4.565 | 4.855 | 80 |
| 1/26 | 25/50 | 2.475 | 2.400 | 24 | 3.065 | 3.355 | 50 |
| 1/71 | 70/140 | 6.975 | 6.900 | 69 | 7.565 | 7.855 | 140 |
| 1/68 | 67/134 | 6.675 | 6.600 | 66 | 7.265 | 7.555 | 134 |
| 1/66 | 65/130 | 6.475 | 6.400 | 64 | 7.065 | 7.355 | 130 |
| 1/61 | 60/120 | 5.975 | 5.900 | 59 | 6.565 | 6.855 | 120 |
| 1/56 | 55/110 | 5.475 | 5.400 | 54 | 6.065 | 6.355 | 110 |
| 1/51 | 50/100 | 4.975 | 4.900 | 49 | 5.565 | 5.855 | 100 |
| 1/46 | 45/90 | 4.475 | 4.400 | 44 | 5.065 | 5.355 | 90 |
| 1/41 | 40/80 | 3.975 | 3.900 | 39 | 4.565 | 4.855 | 80 |
| 1/36 | 35/70 | 3.475 | 3.400 | 34 | 4.065 | 4.355 | 70 |
| 1/31 | 30/60 | 2.975 | 2.900 | 29 | 3.565 | 3.855 | 60 |
| 1/26 | 25/50 | 2.475 | 2.400 | 24 | 3.065 | 3.355 | 50 |
| 1/21 | 20/40 | 1.975 | 1.900 | 19 | 2.565 | 2.855 | 40 |
| 1/16 | 15/30 | 1.475 | 1.400 | 14 | 2.065 | 2.355 | 30 |

| | | |
|--|---|---|
| UNLESS OTHERWISE SPECIFIED DIMENSIONS ARE IN INCHES. TOLERANCES ON: DECIMALS ±.005 ANGLES ± | CONTRACT NO DR Debra Kelly 3-24-80 CHK APPD APPB DSGN APPD OTHER APPD | AMP INCORPORATED Harrisburg, Pa. NAME BOX RECEPTACLE ASSEMBLY, WRAP TYPE POSTS, 3 HIGH, .100" C RACK MOUNT SIZE CODE IDENT NO DRAWING NO C 00779 531838 SCALE 4:1 SHEET |
|--|---|---|

CUSTOMER DRAWING