

4

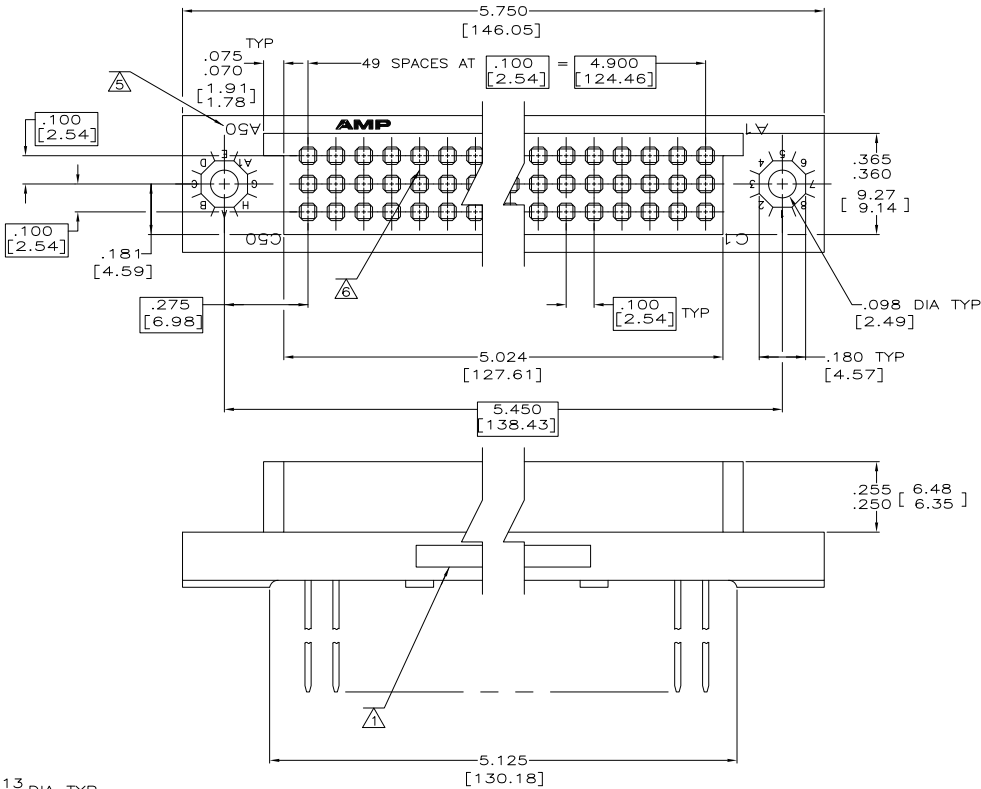
3

2

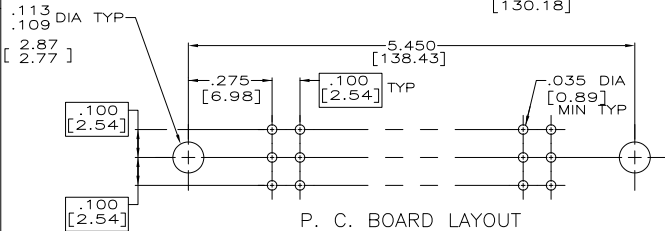
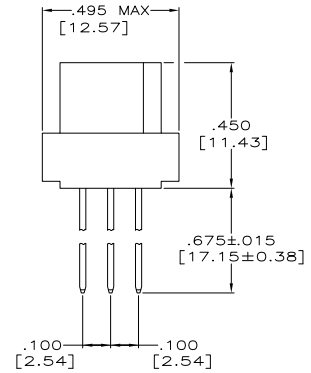
1

THIS DRAWING IS UNPUBLISHED. RELEASED FOR PUBLICATION
 © COPYRIGHT BY TYCO ELECTRONICS CORPORATION. ALL RIGHTS RESERVED.

LOC		DIBT		REVISIONS			
DF	FO	P	LTR	DESCRIPTION	DATE	MIN	APD
		D		REV PER EDD 10-002921	23MAR10	PY	DM



- △ AMP, DATE CODE AND PART NO MARKED IN THIS AREA
- △ HOUSING MATERIAL: POLYPHENYLENE SULFIDE, GST-40F PER MIL-M-24519.
- △ CONTACT MATERIAL: BERYLLIUM COPPER (BeCu) OR COPPER-NICKEL-SILICON (CuNiSi).
- △ CONTACT FINISH: .000030 GOLD OVER .000030 NICKEL IN CONTACT AREA .000150 MIN BRIGHT TIN-LEAD (93/7) ON POSTS.
- △ LETTERS INDICATING OUTSIDE ROWS AND NUMBERS INDICATING END CAVITIES MARKED THIS AREA.
- △ LINES INDICATING EVERY FIVE CAVITIES MARKED ON MATING FACE.



448300-1
 PART NUMBER

THIS DRAWING IS A CONTROLLED DOCUMENT.		DR: E. YEAGER 5-13-92	Tyco Electronics Corporation Harrisburg, PA 17105-3608	
DIMENSIONS: INCHES		CHK: J. MILLER 5-15-92	RECEIPT ASSY, .100 [2.54], 3 ROW W/MOUNTING EARS, BOX CONTACT WIRE WRAP POST, 150 POSN	
OTHER DIMENSIONS: MILLIMETERS		APP: J. MILLER 5-15-92	RESTRICTED TO	
0 PLC # -		PRODUCT SPEC: -	SIZE: A2	CAGE CODE: 00779
1 PLC # -		APPLICATION SPEC: -	SCALE: 4:1	SHEET: 1 of 1
2 PLC # -		WEIGHT: -	REV: D	
3 PLC # -		FINISH: -		
4 PLC # -				
ANGLES # -				
MATERIAL: -				
FINISH: -				
CUSTOMER DRAWING				

AMP 1471-9 REV 31MM2000

448300

A