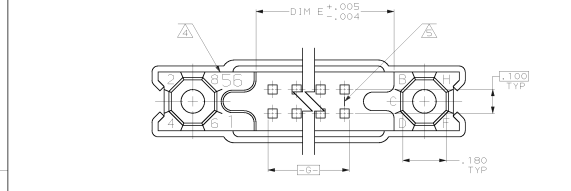
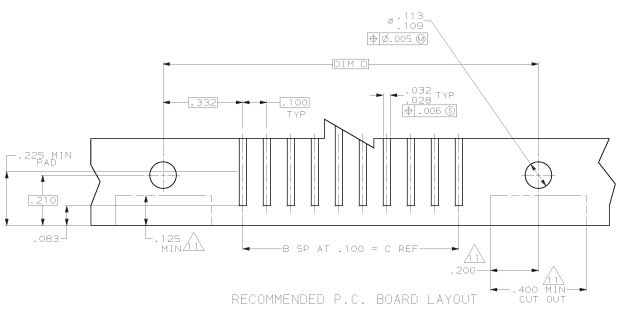
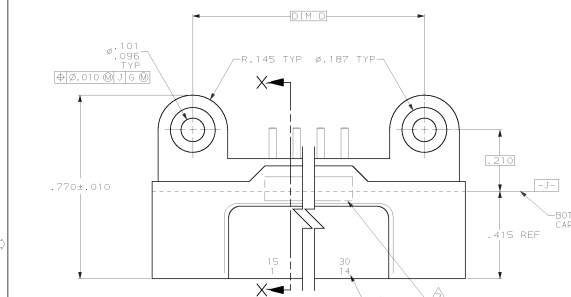
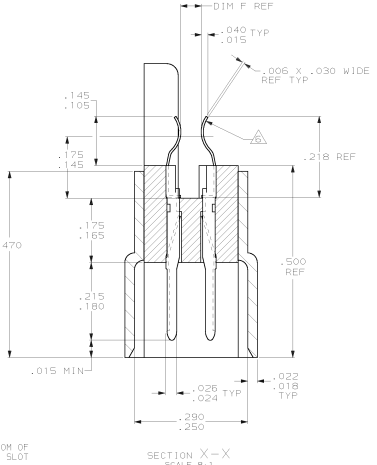
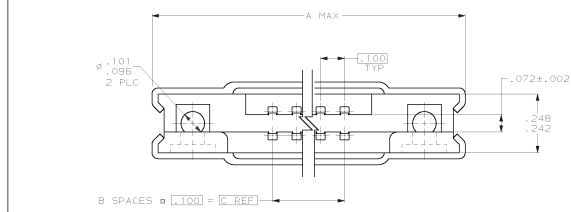


DRAWING MADE IN THIRD ANGLE PROJECTION
 THESE DIMENSIONS ARE UNLESS OTHERWISE SPECIFIED. RELEASED FOR PUBLICATION
 © COPYRIGHT 19 BY AMP INCORPORATED. ALL INTERNATIONAL RIGHTS RESERVED.

REVISIONS				DATE	APPRO
REV	DF	FO	BY	DATE	APPRO
H	REV	PER	QH14-0031-04	2-04	DM



- MUST MEET ALL REQUIREMENTS OF MIL-C-55302
- AMP, AMP PART NO, 00779 AND DATE CODE MARKED IN THIS AREA, SIDE OPTIONAL.
- NUMBERS INDICATING EVERY 5 CAVITIES MARKED ON SIDE.
- CAVITY IDENTIFICATION NUMBERS MOLDED OR MARKED, SEE TABLE.
- LINE INDICATING EVERY FIFTH CAVITY MOLDED OR MARKED.
- TABS PRETINNED BY AMP FOR SOLDERING BY CUSTOMER.
- USES KEY (530341-1) AND RIVET (530347-1) AND CLINCHING TOOL (81117-1).
- HOUSING MAT'L: DIALLYL PHTHALATE PER MIL-M-14, TYPE SDG-F COLOR: BLUE
- CONTACT MAT'L: BRASS PER MIL-C-55302. CONTACT FINISH: .000050 MIN GOLD OVER .000050 MIN NICKEL.
- PIN PROTECTOR MAT'L: ALUMINUM PER MIL-C-55302.
- OPTIONAL CUTOUT FOR FOR KEYING AFTER CONNECTOR IS MOUNTED.

OBSELETE

DIM F	DIM E	DIM D	DIM C	DIM B	DIM A	MILITARY PART NUMBER	CAVITY IDENTIFICATION	NO OF POS.	PART NUMBER
.050	7.175	7.565	6.900	69	7.925	M55302/26-22	71 - 1	140	1-530761-5
.050	6.675	7.065	6.400	64	7.425	M55302/26-20	66 - 1	130	1-530761-4
.050	6.175	6.565	5.900	59	6.925	M55302/26-19	61 - 1	120	1-530761-3
.050	1.675	2.065	1.400	14	2.425	M55302/26-10	16 - 1	30	1-530761-2
.050	2.175	2.565	1.900	19	2.925	M55302/26-11	21 - 1	40	1-530761-1
.050	2.675	3.065	2.400	24	3.425	M55302/26-12	26 - 1	40	1-530761-0
.050	3.175	3.565	2.900	29	3.925	M55302/26-13	31 - 1	60	530761-9
.050	3.675	4.065	3.400	34	4.425	M55302/26-14	36 - 1	70	530761-8
.050	4.175	4.565	3.900	39	4.925	M55302/26-15	41 - 1	80	530761-7
.050	4.675	5.065	4.400	44	5.425	M55302/26-16	46 - 1	90	530761-6
.050	5.175	5.565	4.900	49	5.925	M55302/26-17	51 - 1	100	530761-5
.050	5.675	6.065	5.400	54	6.425	M55302/26-18	56 - 1	110	530761-4
.050	4.175	4.565	3.900	39	4.925	M55302/26-15	41 - 1	80	530761-5
.050	6.875	7.265	6.600	66	7.625	M55302/26-21	68 - 1	134	530761-3
.100	5.675	6.065	5.400	54	6.425	-	56 - 1	110	530761-2
.100	6.675	7.065	6.400	64	7.425	-	68 - 1	134	530761-1

DO NOT SCALE PRINT. UNLESS SPECIFIED. DIMENSIONS IN INCHES (MM) TOLERANCES ON: 3 P.L.C. DEC = .005 (0.13) INCHES	DR 2-17-04 C/L THORS DTR 2-17-04 D/ULLER APPD 2-17-04 D/ULLER	NAME PIN HEADER ASSEMBLY, .100 C/L BOX, CARD EXTENDER, WITH PIN PROTECTORS
MATERIAL	PRODUCT SIZE	SIZE D
FINISH	APPLICATION SPEC	PAGE CODE 00779
WEIGHT		DRAWING NO 530761
		SHEET 1 OF 1

CUSTOMER DRAWING