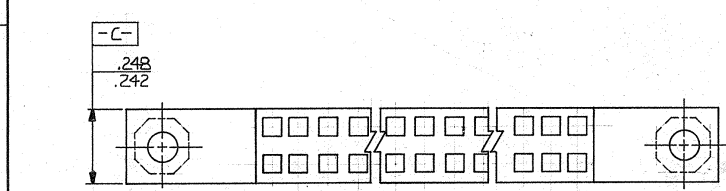
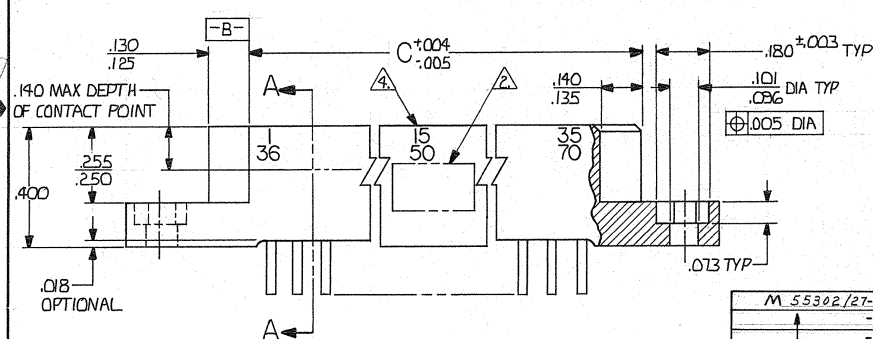
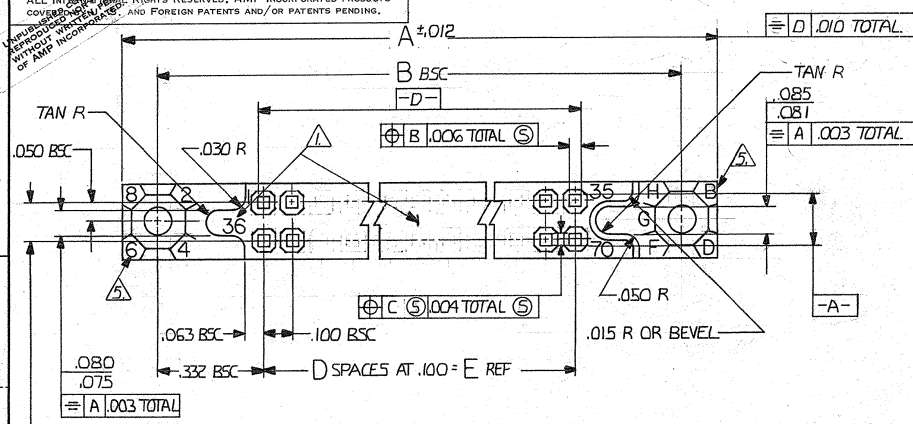


DRAWING MADE IN THIRD ANGLE PROJECTION

© COPYRIGHT 1964 BY AMP INCORPORATED, HARRISBURG, PA. ALL RIGHTS RESERVED. AMP INCORPORATED PRODUCTS COVERED BY PATENTS AND FOREIGN PATENTS AND/OR PATENTS PENDING.



REV	ZONE	TR	DESCRIPTION	DATE	APPROVED
0			RELEASED WAS 5087-940-1	RW	6-1-72
01			REVISED PER ECN 4977	m.s.	11-6-76
02			REVISED 5061	m.s.	2-2-77
03			ADDED 4 PIN SHT. 2 6198	m.s.	7-30-79
04			MIL. P/N'S ASSIGNED		4-80
05			REVISED PER ECN 8248	db	12-82
A			REV. PER ECN AB-0535	TT	10-84
B			REV. PER DF-2290	TT	04-98
C			REV. PER ROW-5059-96	TT	04-98
D			REV. PER ECO-05-013228		11-05

- 1. NUMBERS AND LINES INDICATING EVERY FIVE CAVITIES MOLDED OR MARKED ON MATING FACE.
- 2. "AMP", 00779, PART NO., MILITARY PART NO. AND DATE CODE (SIDE OPTIONAL).
- 3. MUST MEET ALL APPLICABLE REQUIREMENTS OF MIL-C-55302.
- 4. NUMBERS INDICATING EVERY FIVE CAVITIES MOLDED OR MARKED ON INSIDE.
- 5. KEY POSITION IDENTIFICATION MOLDED ON SURFACES SHOWN.
- 6. USE EXTERNAL KEY NUMBER 530391 MATES WITH PART NUMBER 530339.
- 7. HOUSING MATERIAL: DIALYL PHTHALATE, COLOR: BLUE PER MIL-M-14, TYPE SDG-F.
- 8. CONTACT MATERIAL:  $\text{BeCu OR COPPER-NICKEL-SILICONE}$   $.000050$  GOLD OVER NICKEL, TIN-LEAD ON TAILS.
- 9. MEETS ALL APPLICABLE REQUIREMENTS OF MIL-C-55302.
- 10.  $.000050$  GOLD IN CONTACT AREA,  $.000100$  TIN-LEAD ON TAIL, OVER  $.000050$  NICKEL ENTIRE CONTACT.

M	55302/27-108	1/56	5.400	54	5.655	6.065	6.355	110	530758-9
	-107	51	4.900	49	5.165	5.565	5.855	100	-8
	-106	46	4.400	44	4.665	5.065	5.355	90	-7
	-105	41	3.900	39	4.165	4.565	4.855	80	-6
	-104	36	3.400	34	3.665	4.065	4.355	70	-5
	-103	31	2.900	29	3.165	3.565	3.855	60	-4
	-102	26	2.400	24	2.665	3.065	3.355	50	-3
	-101	21	1.900	19	2.165	2.565	2.855	40	-2
	M 55302/27-100	16	1.400	14	1.665	2.065	2.355	30	530758-1

MILITARY PART NO.	CONTACT IDENTIFICATION M	E	D	C	B	A	NO. OF CONTACTS	PART NO	
UNLESS OTHERWISE SPECIFIED DIMENSIONS ARE IN INCHES. TOLERANCES ON: DECIMALS ANGLES $\pm .005$		CONTRACT NO						AMP INCORPORATED Harrisburg, Pa.	
MATERIAL $\Delta \Delta$		DR Robert Walter 6-14-76						NAME BOX CONNECTOR RECEPTACLE ASSY, .100 GRID, EXTERNAL KEYING	
FINISH RCPT. CONTACT: $\Delta \Delta$		CHS 6-15-76						SIZE CODE IDENT NO DRAWING NO	
		APPD R Williams 6-16-76						C 00779 530758	
		APPD R Shuman 6-16-76						SCALE 4-1 SHEET 1 OF 2	

CUSTOMER DRAWING

530758

DRAWING MADE IN THIRD ANGLE PROJECTION

© COPYRIGHT 19 BY AMP INCORPORATED, HARRISBURG, PA.  
 ALL INTERNATIONAL RIGHTS RESERVED. AMP INCORPORATED PRODUCTS  
 COVERED BY U. S. AND FOREIGN PATENTS AND/OR PATENTS PENDING.

LOG DIST  
 DF FO

REVISIONS			
P	F	ZONE	DATE
✓	✓	D	1-530758-2

DESCRIPTION DATE APPROVED  
 [SEE SHEET 1 OF 2]

M55302/27-197	1 71	70 140	6.900	69	7.165	7.565	7.855	140	1-530758-3
M55302/27-196	1 68	67 134	6.600	66	6.865	7.265	7.555	134	1-530758-2
M55302/27-195	1 66	65 130	6.400	64	6.665	7.065	7.355	130	1-530758-1
M55302/27-194	1 61	60 120	5.900	59	6.165	6.565	6.855	120	1-530758-0

MILITARY PART NO.	CAVITY IDENT. NO.	E	D	C	B	A	No. of CONTACTS	PART NO.
UNLESS OTHERWISE SPECIFIED DIMENSIONS ARE IN INCHES. TOLERANCES ON: DECIMALS ± .005 ANGLES ±		CONTRACT NO. 7-30-79		AMP   AMP INCORPORATED Harrisburg, Pa.		NAME: BOX CONNECTOR, RECEPTACLE ASSY. 100 GRID, EXTERNAL KEYING		
MATERIAL	DR <i>M. Smith</i>	CHK <i>Ralph D. Pink</i> 7/2/79		APPR <i>Ralph D. Pink</i> 7/3/79		APPR <i>John Kaufman</i> 8/6/79		
FINISH	DSGN APPD	OTHER APPD		SIZE	CODE IDENT NO	DRAWING NO		
				C	00779	530758		
				SCALE		SHEET 2 OF 2		

AMP 1471-6 REV 12-78

CUSTOMER DRAWING

530758