

IN THIRD ANGLE PROJECTION
 DRAWING IS UNPUBLISHED. RELEASED FOR PUBLICATION

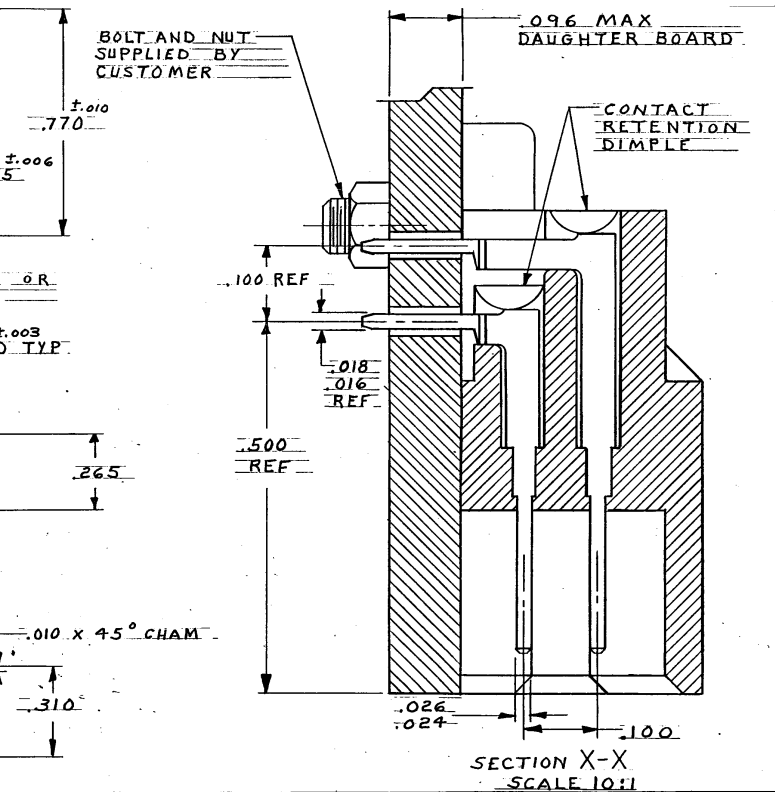
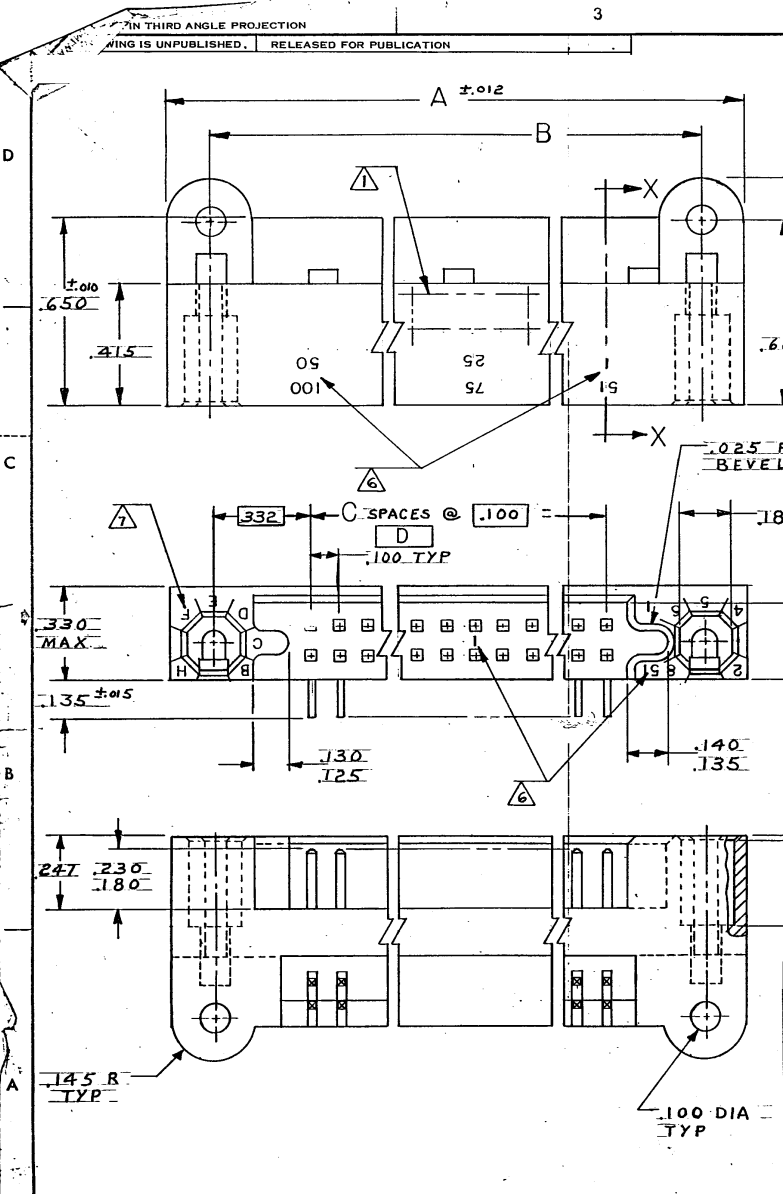
3

2

1

5345 LOG DIST
 DF FO

REVISIONS		DATE	APPROVED
P	F		
ZONE	LTR	DESCRIPTION	
G1		REVISED PER ECO-11-008030	28MAR11 HMR

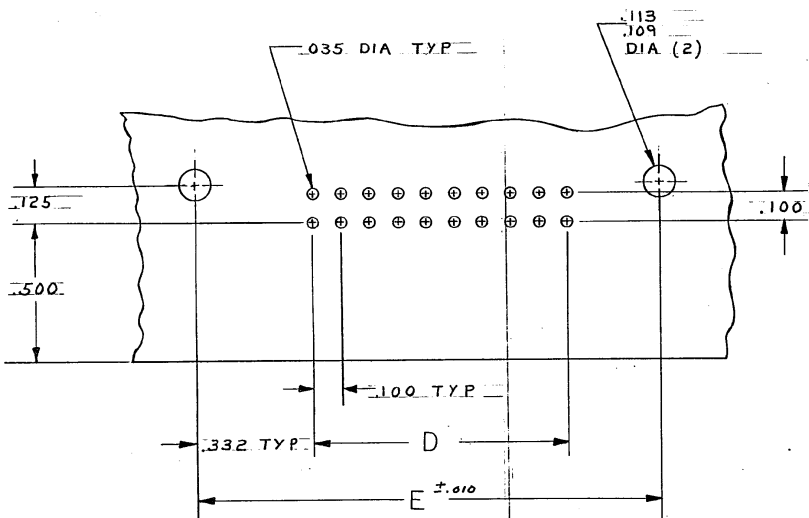


UNLESS OTHERWISE SPECIFIED DIMENSIONS ARE IN INCHES.		CONTRACT NO		PART NO	
TOLERANCES ON: DECIMALS ±.005 ANGLES		DR	10-26-81		
MATERIAL		CHK	12-16-81		
FINISH		APP'D	12-16-81		
OTHER APP'D		DSGN APP'D			
2 3 4		M. Smith W. Hutchins W. Hutchins E.T. Parsons		STE TE Connectivity NAME BOX CONNECTOR, RIGHT ANGLE, PIN ASSY, 1001 SERIES SIZE C FSCM NO 00779 DRAWING NO 531721 SCALE 4:1 SHEET 1 OF 2	

DRAWING MADE IN THIRD ANGLE PROJECTION

THIS DRAWING IS UNPUBLISHED. RELEASED FOR PUBLICATION
 © COPYRIGHT

5365	LOG	DIST	DF	FQ
REVISIONS		DESCRIPTION	DATE	APPROVED
P	F	ZONE	L	R
SEE SHEET 1				



- ⚠ AMP, 00779, PART NO & DATE CODE AND MILITARY PART NO MARKED IN APPROX AREA
- ⚠ HOUSING: GLASS FILLED POLYESTER COLOR - BLUE
- ⚠ CONTACT: BRASS
- ⚠ CONTACT FINISH: .000050 GOLD IN CONTACT AREA, TIN-LEAD ON SOLDER TAILS, NICKEL UNDERPLATE.
- 5. MIL-C-55302 INSPECTION REQUIRED.
- ⚠ NUMBERS AND LINES INDICATING EVERY FIVE CAVITIES MARKED ON MATING FACE, NUMBERS INDICATING EVERY FIVE CAVITIES MARKED ON SIDE
- ⚠ KEY POSITION IDENTIFICATION MOLDED ON SURFACE SHOWN.

RECOMMENDED P.C. BOARD LAYOUT

M 55302/110-31	1 - 71	7.565	6.900	69	7.565	7.855	140	1-531721-3
	-30	7.265	6.600	66	7.265	7.555	134	1- -2
	-29	7.065	6.400	64	7.065	7.355	130	1- -1
	-28	6.865	6.200	62	6.865	7.155	126	1- -0
	-18	6.065	5.400	54	6.065	6.355	110	1- -9
	-17	5.865	5.200	52	5.865	6.155	106	1- -8
	-16	5.665	4.900	49	5.665	5.955	102	1- -7
	-15	5.465	4.700	47	5.465	5.755	98	1- -6
	-14	5.265	4.500	45	5.265	5.555	94	1- -5
	-13	5.065	4.300	43	5.065	5.355	90	1- -4
	-12	4.865	4.100	41	4.865	5.155	86	1- -3
	-11	4.665	3.900	39	4.665	4.955	82	1- -2
	-10	4.465	3.700	37	4.465	4.755	78	1- -1
M 55302/110-10	1 - 16	2.565	1.900	19	2.565	2.855	40	1-531721-1
		2.065	1.400	14	2.065	2.355	30	

MILITARY PART NO.	CONTACT IDENT NO.	E	D	C	B	A	NO. POS	PART NO
UNLESS OTHERWISE SPECIFIED DIMENSIONS ARE IN INCHES. TOLERANCES ON: DECIMALS ±.005 ANGLES		CONTRACT NO		DR		NAME		
MATERIAL		APPD		APPD		STE TE Connectivity		
FINISH		DSGN APPD		OTHER APPD		BOX CONNECTOR, RIGHT ANGLE, PIN ASSY, 100I SERIES		
SIZE		FSCM NO		DRAWING NO		REV		
C		00779		531721		G1		
SCALE 4:1		SHEET		2		CUSTOMER DRAWING		

531721