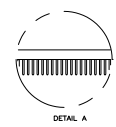


SEE SHEET 2 FOR HOLE PATTERN

- △ HOUSING: HIGH TEMPERATURE THERMOPLASTIC. COLOR - NATURAL.
- △ CONTACT: PHOSPHOR BRONZE.
- △ METAL HOLD DOWN: BRASS.
- △ CONTACT FINISH: .001269[0.00050] MIN NICKEL ALL OVER. GOLD PLAS OVER .002257[0.00090] MIN TIN-LEAD OVER NICKEL ON SOLDER TAILS.
- △ CONTACT FINISH: .001269[0.00050] MIN NICKEL ALL OVER. .000378[0.00015] GOLD OVER NICKEL IN CONTACT AREA. .002537[0.00100] MIN TIN-LEAD OVER NICKEL ON SOLDER TAILS.
- △ CONTACT FINISH: .001269[0.00050] MIN NICKEL ALL OVER. .000297[0.00030] GOLD OVER NICKEL IN CONTACT AREA. .002537[0.00100] MIN TIN-LEAD OVER NICKEL ON SOLDER TAILS.
- △ DISTANCE FROM CONTACT POINT TO BOTTOM OF CARD SLOT.
- △ METAL HOLD DOWN FINISH: .001269[0.00050] MIN NICKEL ALL OVER. .003696[0.00150] MIN TIN-LEAD ALL OVER.
- △ AMP PART NUMBER, DATE CODE AND CSA LOGO MARKED IN APPROXIMATE LOCATION SHOWN.
- △ CORED OR SOLID SIDE WALLS ARE AT DISCRETION OF AMP INCORPORATED.
- △ HOUSING: HIGH TEMPERATURE THERMOPLASTIC. COLOR- GREEN; PANTONE COLORS 355C OR 365C.
- △ CONTACT FINISH: .001269[0.00050] MIN NICKEL ALL OVER. .000378[0.00015] GOLD OVER NICKEL IN CONTACT AREA. .002537[0.00100] MIN TIN OVER NICKEL ON SOLDER TAILS.
- △ OBSOLETE PARTS: OBSOLETE CIS STREAMLINING PER D.RENAUD/D.SINISI

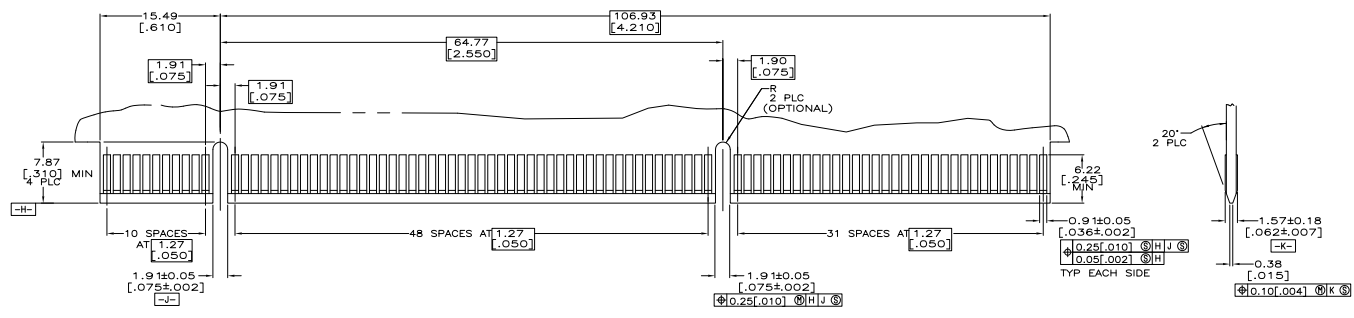
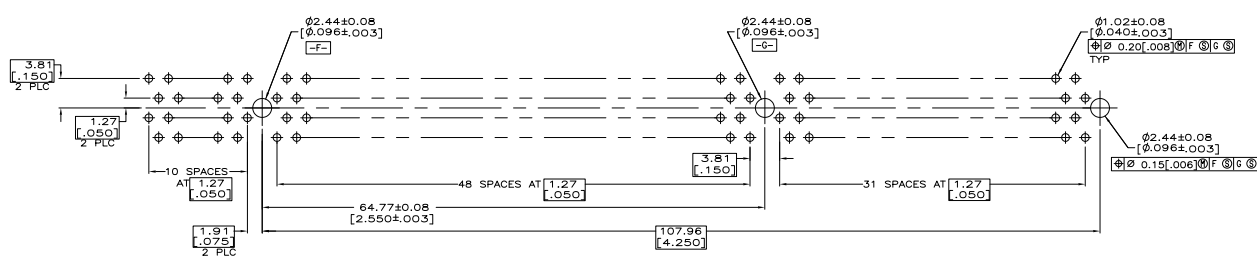


REV	DATE	DESCRIPTION	BY	APP
3-18	[1.25]			
2-145168-8				
1-145168-2				
145168-3				
145168-4				
145168-3				
145168-2				
145168-1				

INCHES	MILLIMETERS	DATE	BY	APP
108-14034		114-26012		
114-26012				
114-26012				

THIS DRAWING IS UNPUBLISHED. ALL RIGHTS RESERVED.
 © 2008 Tyco Electronics Corporation

REV	DATE	DESCRIPTION	BY	CHK	APP
GP 00		SEE SHEET 1			



THIS DRAWING IS A CONTROLLED DOCUMENT.		REV	DATE	Tyco Electronics Corporation Harrisburg, Pa 17105-3608
DRAWING NO. 114-26012		REV	DATE	
DIMENSIONS (in INCHES)	DIMENSIONAL TOLERANCES UNLESS OTHERWISE SPECIFIED: DECIMALS ± .010 FRACTIONS ± .005 HOLE DIA ± .002 HOLE DIA ± .0015	PART NO. 108-14034	REV 114-26012	NAME CONNECTOR ASSEMBLY, 92 DUAL POSITION, 1.27 (0.050) SERIES,
CUSTOMER DRAWING	DRAWING NO. A100779	REV 145168	DATE 8.1	SHEET 2 OF 2