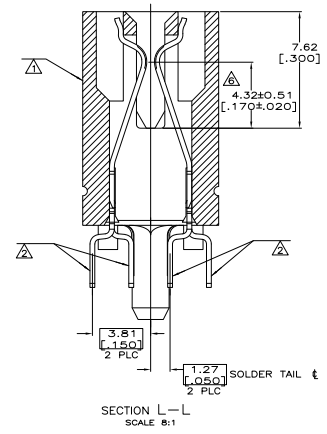
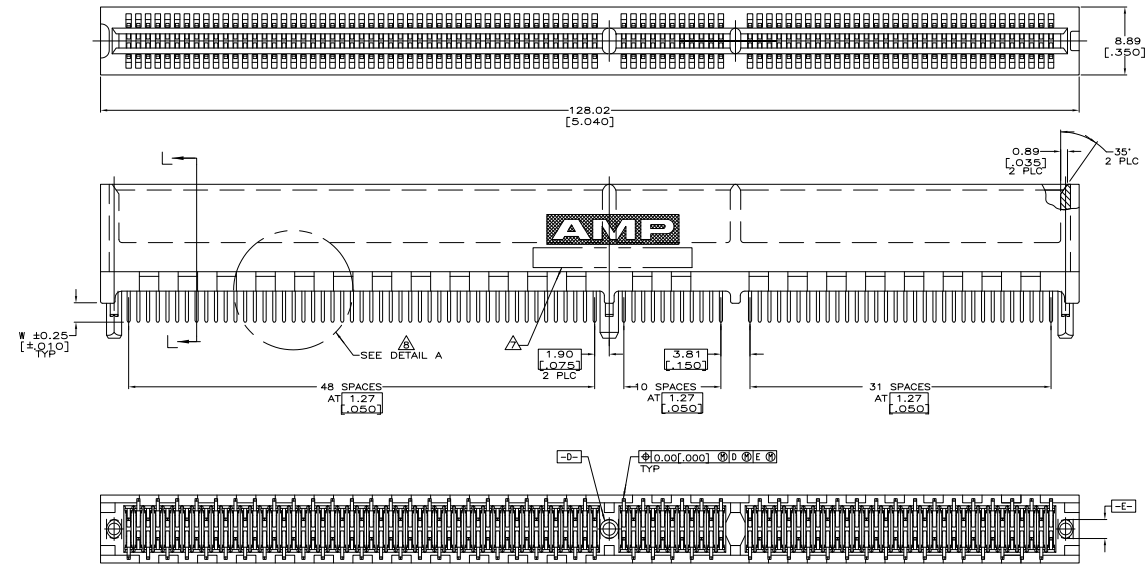
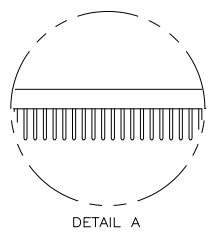


THIS DRAWING IS UNPUBLISHED  
 UNLESS OTHERWISE SPECIFIED  
 ALL RIGHTS RESERVED

REVISIONS			
REV	DATE	BY	APP
00			
F2	REVISED PER ECO-11-005033	25MM11	RK HMR



SEE SHEET 2 FOR HOLE PATTERN



- △ HOUSING: HIGH TEMPERATURE THERMOPLASTIC. COLOR - NATURAL.
- △ CONTACT: PHOSPHOR BRONZE.
- △ CONTACT FINISH: .001269[.000050] MIN NICKEL ALL OVER. GOLD FLASH OVER NICKEL IN CONTACT AREA. .002537[.000100] MIN TIN-LEAD OVER NICKEL ON SOLDER TAILS.
- △ CONTACT FINISH: .001269[.000050] MIN NICKEL ALL OVER. .000375[.000015] MIN GOLD OVER NICKEL IN CONTACT AREA. .002537[.000100] MIN TIN-LEAD OVER NICKEL ON SOLDER TAILS.
- △ CONTACT FINISH: .001269[.000050] MIN NICKEL ALL OVER. .000375[.000035] MIN GOLD OVER NICKEL IN CONTACT AREA. .002537[.000100] MIN TIN-LEAD OVER NICKEL ON SOLDER TAILS.
- △ DISTANCE FROM CONTACT POINT TO BOTTOM OF CARD SLOT.
- △ AMP PART NUMBER, DATE CODE AND CSA LOGO MARKED IN APPROXIMATE LOCATION SHOWN.
- △ CORED OR SOLID SIDE WALLS ARE AT DISCRETION OF AMP INCORPORATED.
- △ OBSOLETE PARTS: OBSOLETE CIS STREAMLINING PER D.RENAUD/D.SINISI

3.96 [±1.40]	△	1-145166-2
3.18 [±1.25]	△	145166-8
2.54 [±1.00]	△	145166-4
2.54 [±1.00]	△	145166-3
2.54 [±1.00]	△	145166-2
2.54 [±1.00]	△	145166-1

THIS DRAWING IS A CONTROLLED DOCUMENT

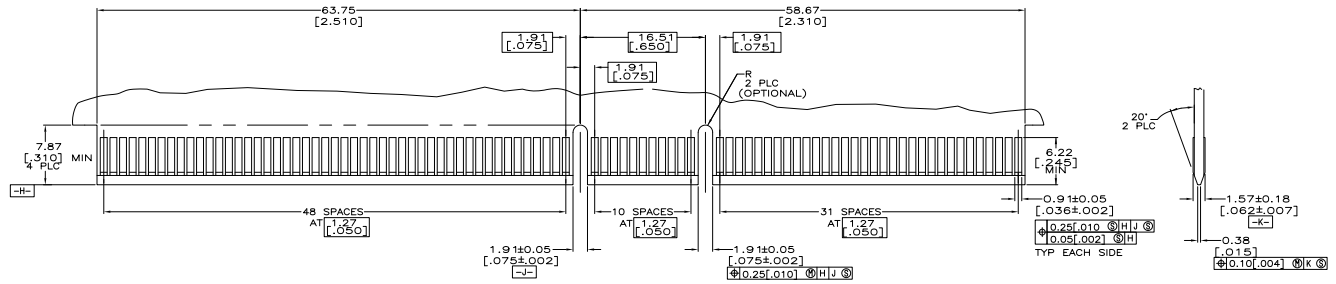
DATE: 11-14-2012  
 REV: 1  
 DRAWN BY: [REDACTED]  
 CHECKED BY: [REDACTED]  
 APPROVED BY: [REDACTED]

TE CONNECTIVITY  
 CONNECTOR ASSEMBLY,  
 92 DIAL POSITION,  
 1.27 [0.50] SERIES, STANDARD EDGE

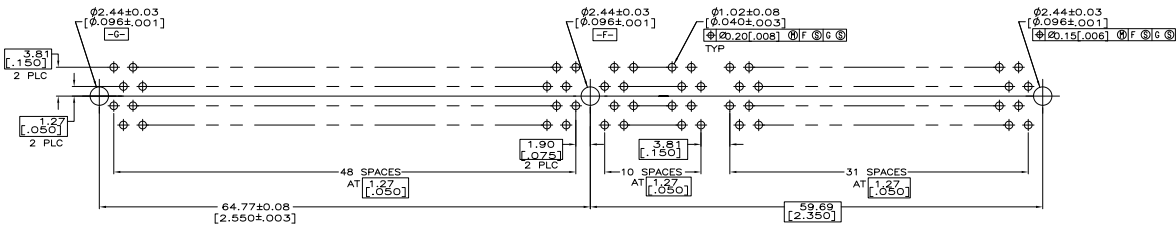
W FINISH PART NUMBER

SCALE: 4:1

SECTION	DESCRIPTION	DATE	BY	CHK	APP
GP	00				



RECOMMENDED MATING BOARD EDGE CONFIGURATION



RECOMMENDED CONNECTOR MOUNTING HOLE PATTERN (CONNECTOR SIDE SHOWN)

REV	DESCRIPTION	DATE	BY	CHK	APP
1	1.27 [050] SERIES, STANDARD EDGE				

THIS DRAWING IS A CONTROLLED DOCUMENT		REV. 1	DATE 01/09/14	BY J. L. L.	CHK J. L. L.	APP J. L. L.	TE Connectivity
DESCRIPTION	CONNECTOR ASSEMBLY, 92 DUAL POSITION, STANDARD EDGE	REV. 1	DATE 01/09/14	BY J. L. L.	CHK J. L. L.	APP J. L. L.	TE Connectivity
WORK	114-26012	REV. 1	DATE 01/09/14	BY J. L. L.	CHK J. L. L.	APP J. L. L.	TE Connectivity
REV. SHEET 1	REV. SHEET 1	CUSTOMER DRAWING	SCALE 4:1	SHEET 2	OF 2	F2	