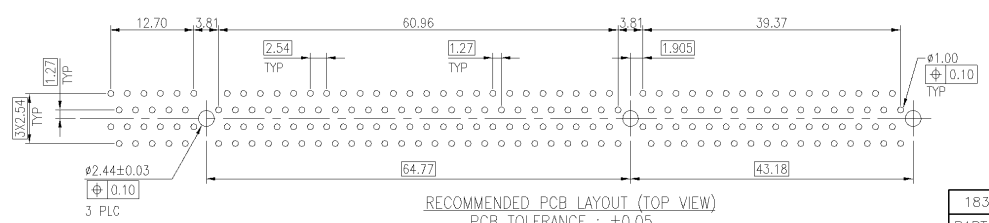
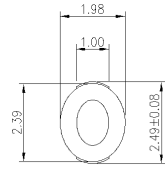
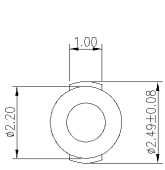
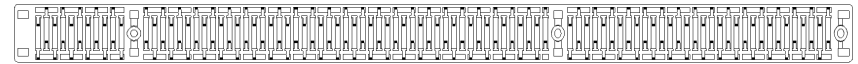
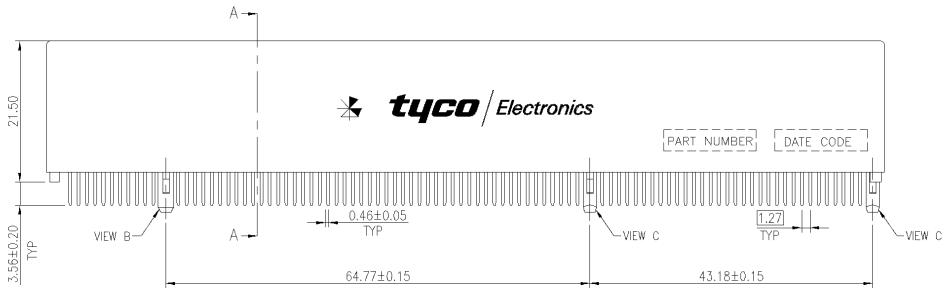
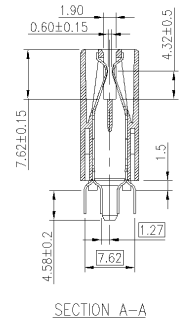
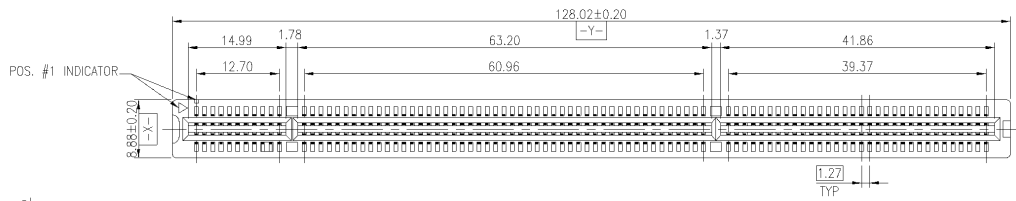


NUMBER C-1834001
METRIC
3RD ANGLE PROJECTION



NOTES:
ROHS 2002/95/EC COMPLIANT

- MATERIALS:
HOUSING: NYLON 46, UL 94V-0, COLOR: NATURAL.
CONTACT: PHOSPHOR BRONZE.
- FINISH:
30u" MIN GOLD PLATING ON CONTACT AREA.
100u" MIN TIN PLATING ON SOLDER TAILS.
50u" MIN NICKEL UNDERPLATED OVER ALL.
- APPLY TO WAVE/RELOW SOLDERING PROCESS.

0	FIRST RELEASED	FZ00-0002-05	JL	07-JAN-2005
LTR	REVISION RECORD	ECN	DWN/CHK	DATE

TOLERANCES UNLESS OTHERWISE SPECIFIED: 0 PLC ±0.40 1 PLC ±0.30 2 PLC ±0.20 3 PLC ±0.10 ANGLES ±3°	DWN J. LEE 07-JAN-2005	TYCO Electronics	TYCO HOLDINGS (BERMUDA) VII LTD. TAIWAN BRANCH
MATERIAL SEE NOTE	CHK S. HOU 07-JAN-2005	NAME	CONNECTOR ASS'Y, PCI, EXTENDED, 184 POSITION, .050 SERIES.
FINISH SEE NOTE	APVD W.J. KE 07-JAN-2005	PRODUCT SPEC 108-57496	LOG DW
	QUALIFICATION TEST REPORT 501-57570	SCALE	SIZE A3
	WEIGHT	DRAWING NO C-1834001	REV 0
		SCALE	SHEET 1 OF 3

8 | 7 | 6 | 5 | 4 | 3 | 2 | 1
CUSTOMER DRAWING

THIS INFORMATION IS CONFIDENTIAL AND IS RELEASED TO YOU ON THE CONDITION THAT NO PARTS OR INFORMATION WILL BE MADE PUBLIC TO OTHER THAN AMP PERSONNEL WITHOUT DIMENSIONS IN MILLIMETERS. DO NOT SCALE PRINT.

D
C
B
A

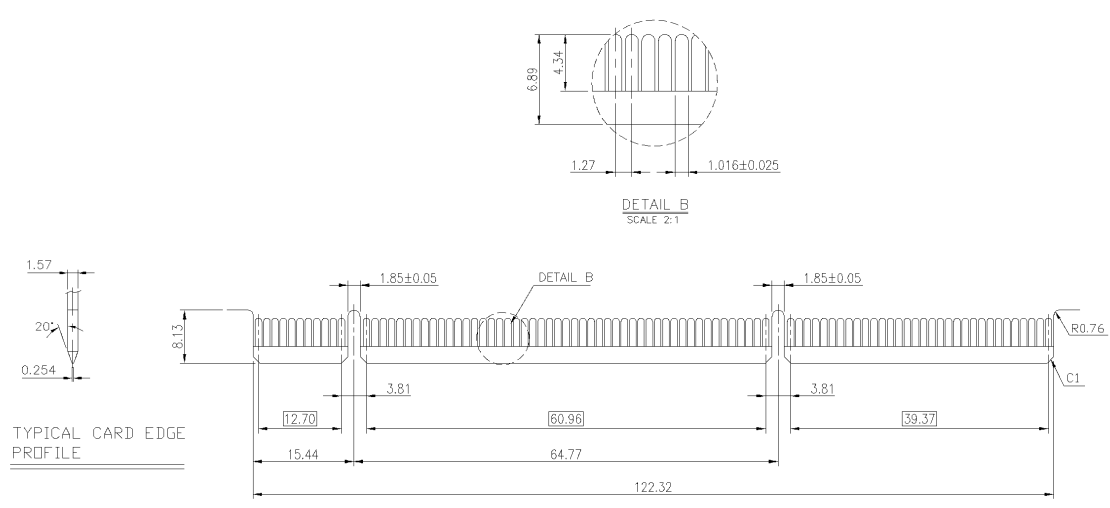
NUMBER
C-1834001



METRIC

THIS INFORMATION IS CONFIDENTIAL AND IS DECIPHERED TO YOU ON CONDITION THAT NO FURTHER DISCLOSURE IS MADE BY YOU TO OTHER THAN AMP PERSONNEL WITHOUT DIMENSIONS IN MILLIMETERS. DO NOT SCALE PRINT.

PRINT DIST
DW



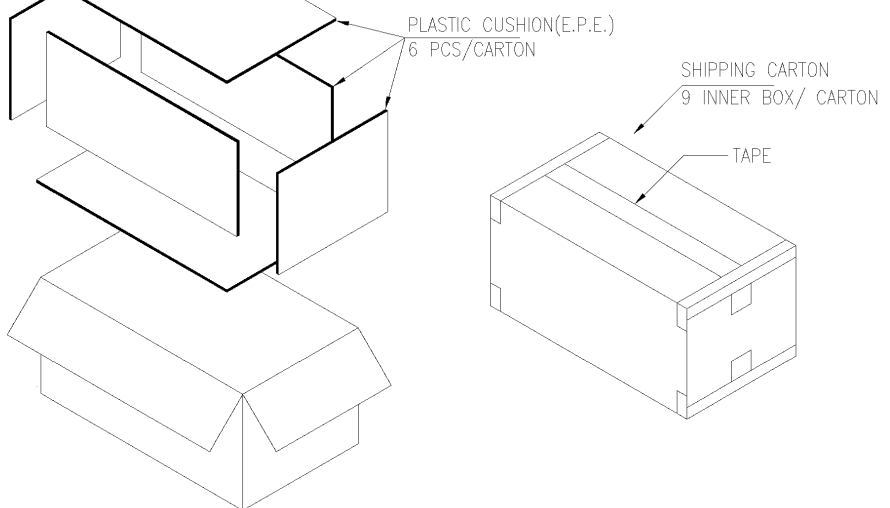
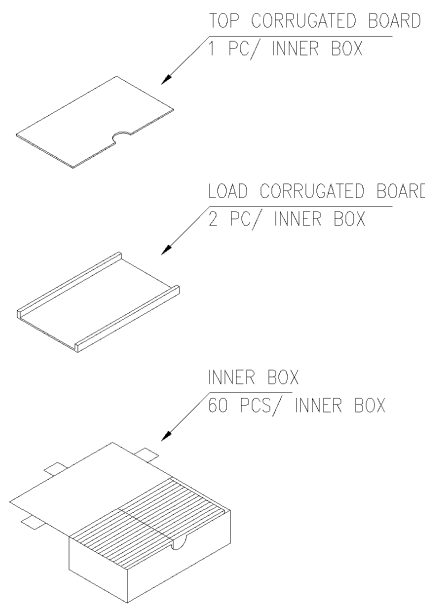
RECOMMENDED MATING COMPONENT BOARD

TOLERANCES UNLESS OTHERWISE SPECIFIED:		DWN	J. LEE	tyco Electronics	TYCO HOLDINGS (BERMUDA) VII LTD. TAIWAN BRANCH	
0	PLC ±0.40	CHK	S. HOU		NAME	
1	PLC ±0.30	APVD		CONNECTOR ASS'Y, PCI, EXTENDED, 184 POSITION, .050 SERIES.		
2	PLC ±0.20	W.J. KE		LOG		
3	PLC ±0.10	07-JAN-2005		SIZE	DRAWING NO	
ANGLES ±3°		PRODUCT SPEC		SCALE	C-1834001	
MATERIAL		QUALIFICATION TEST REPORT		REV	0	
SEE NOTE		WEIGHT		SHEET		
FINISH		SCALE		2 OF 3		

SEE SHEET 1	ECN	DWN/CHK	DATE
LTR	REVISION RECORD		

8 | 7 | 6 | 5 | 4 | 3 | 2 | 1
CUSTOMER DRAWING

NUMBER C-1834001
 3RD ANGLE PROJECTION
 METRIC



- NOTES:
1. TOP CORRUGATED PLATE SIZE: 253mm(L)X 143mm(W)X 3mm(H)
 2. LOAD CORRUGATED PLATE SIZE: 256mm(L)X 153mm(W)X 15mm(H)
 3. BOX SIZE: 266mm(L)X 145mm(W)X 65mm(H)
 4. CARTON SIZE: 486mm(L)X 313mm(W)X 246mm(H)
 5. NET WEIGHT: 12.8KG.
 6. GROSS WEIGHT: 16kg/CARTON.

THIS INFORMATION IS CONFIDENTIAL AND IS DECIDED TO YOU ON CONDITION THAT
 NO PARTS OR INFORMATION IS MADE BY YOU TO OTHER THAN AMP PERSONNEL WITHOUT
 PERMISSION. DIMENSIONS IN MILLIMETERS. DO NOT SCALE PRINT.

SEE SHEET 1	ECN	DWN/CHK	DATE
LTR	REVISION RECORD		

TOLERANCES UNLESS OTHERWISE SPECIFIED:		DWN	J. LEE	TYCO HOLDINGS (BERMUDA) VII LTD. TAIWAN BRANCH	
0	PLC ±0.40	CHK	07-JAN-2005	NAME	
1	PLC ±0.30			CONNECTOR ASS'Y, PCI,	
2	PLC ±0.20			EXTENDED, 184 POSITION,	
3	PLD ±0.10			.050 SERIES.	
ANGLES ±3°				LOG	SIZE
MATERIAL		APVD	W.J. KE	DW	3
SEE NOTE			07-JAN-2005	DRAWING NO	C-1834001
FINISH		QUALIFICATION TEST REPORT	---	SCALE	---
SEE NOTE		WEIGHT	---	SHEET	3 OF 3

CUSTOMER DRAWING

8 | 7 | 6 | 5 | 4 | 3 | 2 | 1

D
C
B
A