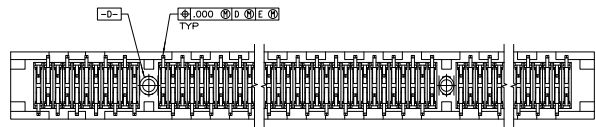
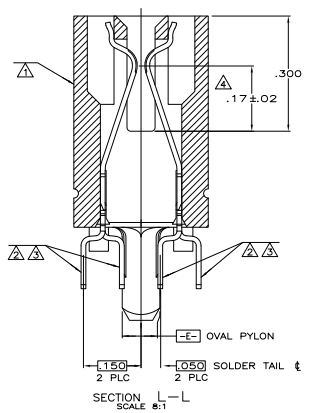
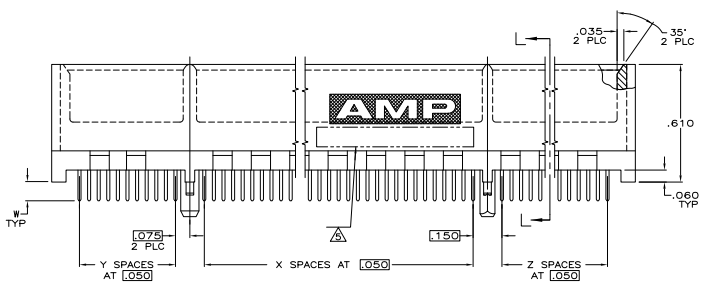
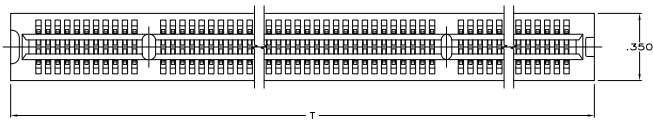


DRAWING MADE IN THIRD ANGLE PROJECTION  
 THIS DRAWING IS UNPUBLISHED. RELEASED FOR PUBLICATION  
 © COPYRIGHT 19 BY AMP INCORPORATED. ALL INTERNATIONAL RIGHTS RESERVED.

REVOLUTIONS		DATE	APPD
AD	14		
P		REVISED PER EC 0651-0008-98	150039 JG
P1		REVISED PER ECO-10-000443	150010 HMR



SEE SHEET 2 FOR HOLE PATTERNS

- △ HOUSING: HIGH TEMPERATURE THERMOPLASTIC. COLOR: BROWN.
- △ CONTACT: PHOSPHOR BRONZE.
- △ CONTACT FINISH: .000100 MIN NICKEL ALL OVER, .000030 MIN GOLD OVER NICKEL IN CONTACT AREA, .000100 MIN TIN-LEAD OVER NICKEL ON SOLDER TAILS.
- △ DISTANCE FROM CONTACT POINT TO BOTTOM OF CARD SLOT.
- △ AMP PART NUMBER, DATE CODE AND CSA LOGO MARKED IN APPROXIMATE AREA SHOWN.
- △ OBSOLETE PARTS: OBSOLETE CIS STREAMLINING PER D.RENAUD/D.SINISI

OBsolete	A	2.350	3.110	3.94	.610	13	10	44	.14	70	1-650231-0
OBsolete	B	2.100	3.660	5.94	2.160	27	41	39	.10	110	650231-9
OBsolete	A	2.350	5.610	6.44	.610	63	10	44	.125	120	650231-8
OBsolete	C	2.350	4.060	6.44	2.160	32	41	44	.14	120	650231-7
OBsolete	C	2.350	4.060	6.44	2.160	32	41	44	.10	120	650231-6
OBsolete	A	2.350	3.110	3.04	.610	13	10	44	.10	70	650231-5
OBsolete	B	2.350	4.060	6.44	2.160	32	41	44	.10	120	650231-4
OBsolete	A	2.350	4.910	5.74	.610	49	10	44	.10	106	650231-3
OBsolete	A	2.350	6.610	6.44	.610	63	10	44	.10	120	650231-2
OBsolete	A	2.350	5.610	6.44	.610	63	10	44	.14	120	650231-1

HOLE PATTERN	V	U	T	S	Z	Y	X	W	NO OF DUAL POSN	PART NUMBER			
DO NOT SCALE PRINT. UNLESS SPECIFIED DIMENSIONS IN .mm [INCHES]	DR 3/22/91	K.L.C./USER/JTA	AMP Incorporated	Harrisburg, PA 17105-3608									
MATERIAL	HOUSING: △	CONTACT: △	FINISH: △	CONTACT: △	APPLICATION SPEC	114-26012	WEIGHT	SIZE	D	CAGE CODE	00779	DRAWING NO	650231
					108-14034			SCALE	4:1			SHEET	1 OF 2

CUSTOMER DRAWING

