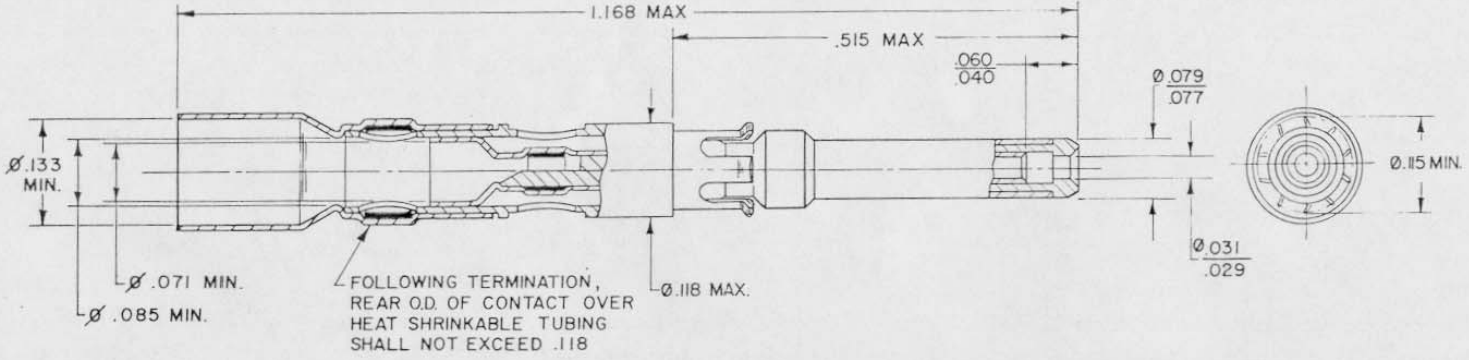


INITIAL RELEASE	DCO # 0592	10-15-80	367
A	REVISED PER E.O.#D-0916	11/1/82	107
B	REVISED PER E.C.N.T- 5936	1/22/86	H. H-882



**NOTES:**

1. THIS CONTACT IS DESIGNED FOR USE IN MIL-C-28748 SIZE 16 CAVITIES.
2. THIS CONTACT IS DESIGNED TO TERMINATE TO THE CABLES IN TABLE. OTHER APPLICATIONS SHOULD BE SUBMITTED TO RAYCHEM FOR EVALUATION.
3. FOR TERMINATION PROCEDURE: SEE ES 61164
4. MATING CONTACT (FOR SIMILAR CABLES) D-602-77

**CONTACT CHARACTERISTICS:**

- MATERIALS:**
- CONTACT MEMBERS: COPPER ALLOY PER QQ-B-626 & QQ-C-530
  - CONTACT PLATING: GOLD PER MIL-G-45204, NICKEL PER QQ-N-290 OVER COPPER FLASH.
  - SPRING MEMBER: BERYLLIUM COPPER PER QQ-C-533
  - SPRING PLATING: NICKEL PER QQ-N-290
  - DIELECTRIC: FLUOROPOLYMER.
  - SOLDER: SN63 PER QQ-S-571
  - CABLE SUPPORT TUBING: POLYVINYLIDENE FLUORIDE
- PERFORMANCE:**
- TEMPERATURE RATING: 125°C. MAXIMUM
  - CURRENT RATING: 3 AMPS
  - VOLTAGE RATING: DIELECTRIC WITHSTAND VOLTAGE, 900 VOLTS RMS, MAXIMUM
  - CONTACT RESISTANCE: 10 MILLIOHMS MAXIMUM (INNER) 8 MILLIOHMS MAXIMUM (OUTER)
  - INSULATION RESISTANCE: 5,000 MEGOHMS MINIMUM
  - ENGAGEMENT FORCE, INNER SOCKET: 6.0 OZ. MAXIMUM.
  - SEPARATION FORCE, INNER SOCKET: 0.5 OZ. MINIMUM.

RG CABLE NO.	RAYCHEM CABLE NO.
RG - 179 B/U	5026A IXIX
RG - 187/U	5030A IXIX
RG - 316 /U	7528A IXIX
	7530A IXIX
	9532A IXIX

**CONNECTOR SPECIFICATION CONTROL DRAWING**

UNLESS OTHERWISE SPECIFIED DIMENSIONS ARE IN INCHES. BRACKETED DIMENSIONS ( ) ARE METRIC AND TOLERANCES ARE:	DRAWN	DWW	2-15-80	Tyco Electronics Corporation 300 Constitution Drive Menlo Park, CA 94025 USA Raychem	
	CHECKED				
	APPROVED	365	6-5-80		
	APPROVED	L.V. 75	6-5-80		
	APPROVED			TITLE	
				SHIELDED CONTACT, PIN COAXIAL CABLE	
	SIZE	CODE IDENT	DWG. NO.		
	C	NO. 0609D	D-602-76		
		WEIGHT	SHEET	OF	

DO NOT SCALE THIS DRAWING