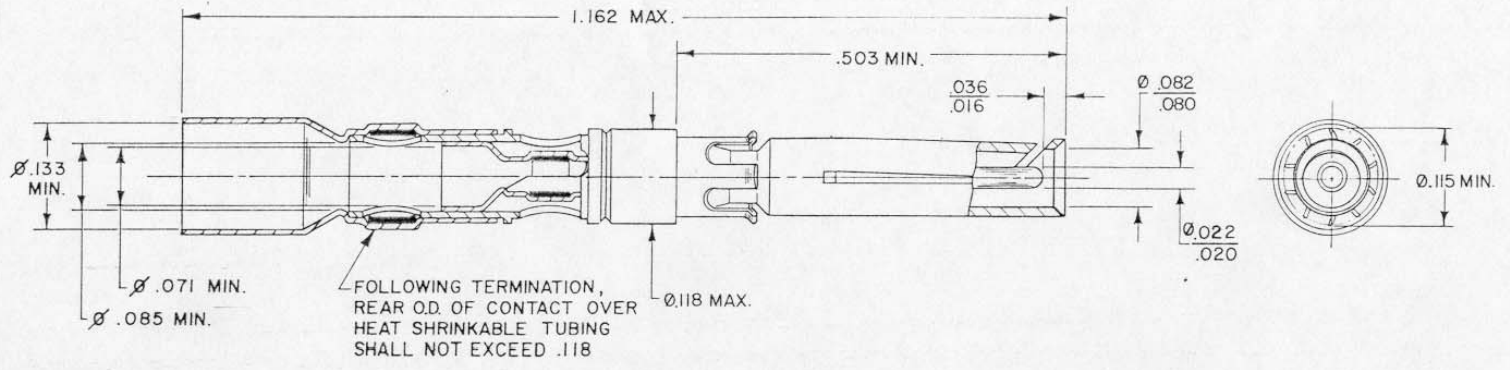


REV	REV PER ECN T- 5936	DATE	1/22/86	BY	K. KAYAK
-----	---------------------	------	---------	----	----------



**NOTES:**

1. THIS CONTACT IS DESIGNED FOR USE IN MIL-C-28748 SIZE 16 CAVITIES.
2. THIS CONTACT IS DESIGNED TO TERMINATE TO THE CABLES IN TABLE. OTHER APPLICATIONS SHOULD BE SUBMITTED TO RAYCHEM FOR EVALUATION.
3. FOR TERMINATION PROCEDURE: SEE ES 61135
4. MATING CONTACT (FOR SIMILAR CABLES) D-602-72
5. ALIGNMENT BUSHING CHA-0002 TO BE SUPPLIED WITH CONTACT.

**CONTACT CHARACTERISTICS:**

**MATERIALS:**

- CONTACT MEMBERS: COPPER ALLOY PER QQ-B-626 & QQ-C-530
- CONTACT PLATING: GOLD PER MIL-G-45204, NICKEL PER QQ-N-290 OVER COPPER FLASH.
- SPRING MEMBER: BERYLLIUM COPPER PER QQ-C-533
- SPRING PLATING: NICKEL PER QQ-N-290
- DIELECTRIC: FLUOROPOLYMER.
- SOLDER: SN63 PER QQ-S-571
- CABLE SUPPORT TUBING: POLYVINYLIDENE FLUORIDE

**PERFORMANCE**

- TEMPERATURE RATING: 125°C MAXIMUM
- CURRENT RATING: 3 AMPS
- VOLTAGE RATING: DIELECTRIC WITHSTAND VOLTAGE, 900 VOLTS RMS, MAXIMUM.
- CONTACT RESISTANCE: 10 MILLIOHMS MAXIMUM (INNER) 8 MILLIOHMS MAXIMUM (OUTER)
- INSULATION RESISTANCE: 5,000 MEGOHMS
- ENGAGEMENT FORCE, OUTER SOCKET: 16 OZ. MAXIMUM.
- SEPARATION FORCE, OUTER SOCKET: 1.75 OZ. MINIMUM.

RG CABLE NO.	RAYCHEM CABLE NO.
RG - 179 B/U	5026A 1X1X
RG - 187/U	5030A 1X1X
RG - 316 /U	7528A 1X1X
	7530A 1X1X
	9532A 1X1X

**CONNECTOR SPECIFICATION CONTROL DRAWING**

UNLESS OTHERWISE SPECIFIED DIMENSIONS ARE IN INCHES BRACKETED DIMENSIONS ( ) ARE METRIC AND TOLERANCES ARE: .xxx ± ( ) .xx ± ( ) Δ ± ( )	DRAWN	DWW	2-15-80	Tyco Electronics Corporation 300 Capistrano Drive Menlo Park, CA 94025 USA 	
	CHECKED				
	APPROVED				
	APPROVED	JLW	5/27/80		
TITLE				SHIELDED CONTACT, SOCKET COAXIAL CABLE	
SIZE					
C		CODE IDENT	DWG. NO.		
		NO. 06090	D-602-73		
DO NOT SCALE THIS DRAWING				WEIGHT	SHEET OF