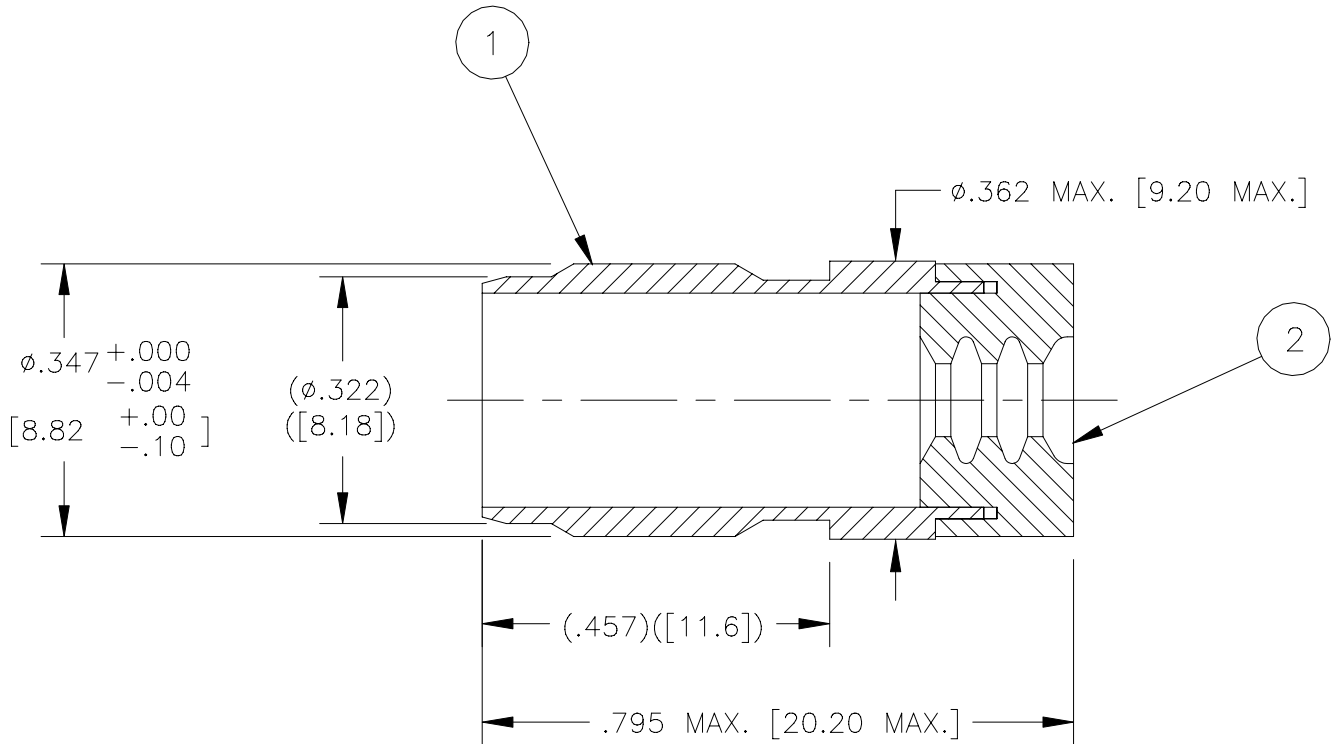


THIS DRAWING AND THE INFORMATION SET FORTH HERE-
ON ARE THE PROPERTY OF TYCO ELECTRONICS,
AND ARE TO BE HELD IN TRUST AND CONFIDENCE. PUB-
LICATION, DUPLICATION, DISCLOSURE, OR USE FOR ANY
PURPOSE NOT EXPRESSLY AUTHORIZED IN WRITING BY
TYCO ELECTRONICS IS PROHIBITED.

REVISIONS			
LTR	DESCRIPTION	DATE	APPROVED
∅	FRANCE	05/FEB/90	HISTORY FILE
A	TRANSLATE AND REDRAW ON CAD PER DCR# T-31798	May/23/03	M.HIGGY

SEALING GROMMET



NOTES:

- MATERIAL: ITEM 1, BODY: 30% GLASS FIELD POLYARLENE.
ITEM 2, SEAL: FLUOROSILICONE.
- CABLE ACCOMMODATION: $\phi.118/\phi.161$ INCHES (3.0mm/4.10mm)
- THIS GROMMET IS DESIGNED FOR USE WITH A RAYCHEM SIZE 8 TRI-AXIAL SOLDERTACT CONTACT. DK-602-0186-X AND DK-602-0187-X
- PROPER FIT OF GROMMET IS DEPENDENT UPON A SPECIFIC CONNECTOR PRODUCT. CONSULT RAYCHEM FOR APPLICATION AND USE OF THIS GROMMET.

SPECIFICATION CONTROL DRAWING

UNLESS OTHERWISE SPECIFIED DIMENSIONS ARE IN INCHES. METRIC DIMENSIONS ARE IN BRACKETS.	DRAWN	ZS.O.	May/23/03	tyco Electronics	TYCO ELECTRONICS 300 Constitution Drive Menlo Park, CA. 94025 USA	Raychem	
	CHECKED						
DECIMALS .XXX ± .010 [— mm] .XX ± .03 [— mm]	APPROVED	M.HIGGY	May/23/03	TITLE SEALING GROMMET FOR MIL-C-83527 CONNECTOR SIZE 8 CAVITY			
	CAD NAME:	T31798.DWG					
ANGLES .X ± 1°	RPN. NO.			SIZE	CODE IDENT. NO.	DWG. NO.	REV
WEIGHT — lbs [— g]	THIRD ANGLE PROJECTION			A	06090	D-600-0116	A
				DO NOT SCALE THIS DRAWING		SCALE: NONE	SHEET 1 OF 1