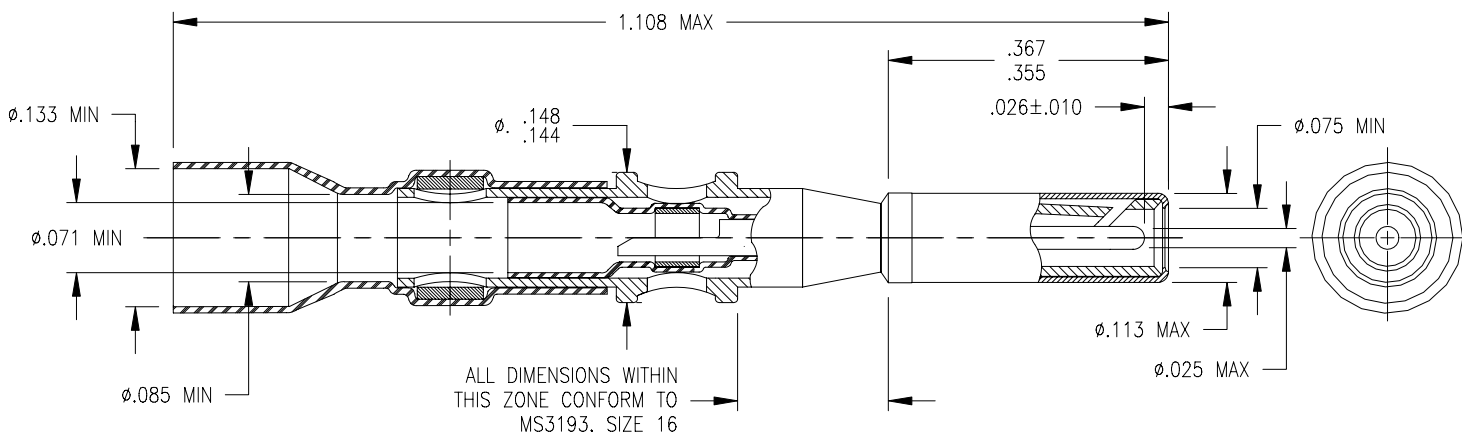


THIS DRAWING AND THE INFORMATION SET FORTH HEREON ARE THE PROPERTY OF TYCO ELECTRONICS CORPORATION, AND ARE TO BE HELD IN TRUST AND CONFIDENCE. PUBLICATION, DUPLICATION, DISCLOSURE, OR USE FOR ANY PURPOSE NOT EXPRESSLY AUTHORIZED IN WRITING BY TYCO ELECTRONICS IS PROHIBITED.

REVISIONS			
LTR	DESCRIPTION	DATE	APPROVED
G	REVISED PER E.O.# D-0500	02/25/83	D. MCC
H	REVISED PER E.O.# D-1405		
J	REVISED PER DCR# D030452	10/31/03	MHIGGY



NOTES:

1. THIS CONTACT IS DESIGNED FOR USE IN MIL-C-26482, SERIES I, SIZE 16 CAVITIES.
2. THIS CONTACT IS DESIGNED TO TERMINATE TO THE CABLES LISTED IN THE TABLE.
OTHER APPLICATIONS SHOULD BE SUBMITTED TO RAYCHEM FOR EVALUATION.
3. FOR TERMINATION PROCEDURE, SEE RAYCHEM SPECIFICATION ES 61137.
4. MATING CONTACT (FOR SIMILAR CABLES): D-602-46.

RG CABLE NO.	RAYCHEM CABLE NO.
RG 179 B/U	5026A 1X1X
RG 187 /U	5030A 1X1X
RG 316 /U	7528A 1X1X
	7530A 1X1X
	9532A 1X1X

CONTACT CHARACTERISTICS:

MATERIALS:

1. CONTACT MEMBERS: COPPER ALLOY PER ASTM B16/B16M AND ASTM B194.
CONTACT PLATING: GOLD PER ASTM B488 (MIL-G-45204), OVER COPPER FLASH.
2. HOOD: TYPE 304, SST PASSIVATED PER MIL-S-5002.
3. DIELECTRIC: ETFE FLUOROPOLYMER PER ASTM D3159.
4. SOLDER: SN63 PER ANSI/J-STD-006.
FLUX: ROL1 PER ANSI/J-STD-004.
5. CABLE SUPPORT TUBING: HEAT-SHRINKABLE, RADIATION CROSS-LINKED POLYVINYLIDENE FLUORIDE.

PERFORMANCE:

- TEMPERATURE RATING: 125°C MAXIMUM
 CURRENT RATING: 3 AMPS
 VOLTAGE RATING: DIELECTRIC WITHSTANDING VOLTAGE: 900 VOLTS RMS, MAXIMUM.
 CONTACT RESISTANCE: 10 MILLIOHMS MAXIMUM (INNER)
 8 MILLIOHMS MAXIMUM (OUTER)
 INSULATION RESISTANCE: 5000 MEGAOHMS MINIMUM.
 ENGAGEMENT FORCE: OUTER SOCKET: 20.0 OZ. MAXIMUM
 SEPARATION FORCE: OUTER SOCKET: 2.0 OZ. MINIMUM

SPECIFICATION CONTROL DRAWING

UNLESS OTHERWISE SPECIFIED DIMENSIONS ARE IN INCHES. METRIC DIMENSIONS ARE IN BRACKETS.

DECIMALS
 .XXX ± _____
 .XX ± _____
 ANGLES _____

WEIGHT

DRAWN	MFORONDA	09.17.03
CHECKED		
APPROVED	M.HIGGY	09.17.03
APPROVED		
CAD NAME:	D030452.dwg	



Tyco Electronics Corporation
 300 Constitution Drive
 Menlo Park, CA. 94025 U.S.A.



TITLE			
SHIELDED CONTACT, SOCKET COAXIAL CABLE			
SIZE	CODE IDENT. NO.	DWG. NO.	REV
A	06090	D-602-47	J

DO NOT SCALE THIS DRAWING	SHEET 1 OF 1	
---------------------------	--------------	--