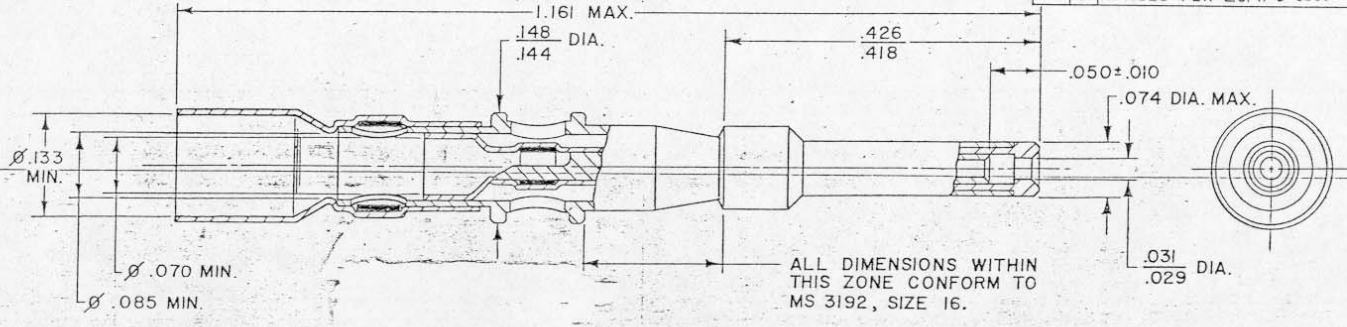


REVISED	DESCRIPTION	DATE	APPROVED
E	REVISED PER E.O.#D-1019	11/12/80	APL
F	REVISED PER E.O.#D-1284	2/1/81	M
G	REVISED PER E.O.#D-1405	5/1/82	APL
H	REVISED PER ECN T-17075	9/2/26	M. Hagg
B	REVISED AND REDRAWN DCO# 01552		
C	REVISED PER E.O.# D-0500	8/10/82	3 G
D	REVISED PER E.O.# D-0966	11/12/82	APL



NOTES:

1. THIS CONTACT IS DESIGNED FOR USE IN MIL-C-26482, SERIES I SIZE 16 CAVITIES.
2. THIS CONTACT IS DESIGNED TO TERMINATE TO THE CABLES IN TABLE. OTHER APPLICATIONS SHOULD BE SUBMITTED TO RAYCHEM FOR EVALUATION.
3. FOR TERMINATION PROCEDURE: SEE ES 61137
4. MATING CONTACT (FOR SIMILAR CABLES) D-602-47

CONTACT CHARACTERISTICS:

MATERIALS:
CONTACT MEMBERS: COPPER ALLOY PER QQ-B-626 & QQ-C-530
CONTACT PLATING: GOLD PER MIL-G-45204, NICKEL PER QQ-N-290 OVER COPPER FLASH.

DIELECTRIC: FLUOROPOLYMER.
SOLDER: SN63 PER QQ-S-571
CABLE SUPPORT TUBING: POLYVINYLIDENE FLUORIDE PER MIL-I-23053

PERFORMANCE:
TEMPERATURE RATING: 125°C. MAXIMUM
CURRENT RATING: 3 AMPS
VOLTAGE RATING: DIELECTRIC WITHSTAND VOLTAGE, 900 VOLTS RMS, MAXIMUM
CONTACT RESISTANCE: 10 MILLIOHMS MAXIMUM (INNER); 8 MILLIOHMS MAXIMUM (OUTER)
INSULATION RESISTANCE: 5,000 MEGOHMS MINIMUM
ENGAGEMENT FORCE, INNER SOCKET: 6.0 OZ. MAXIMUM.
SEPARATION FORCE, INNER SOCKET: 0.5 OZ. MINIMUM.

RG CABLE NO.	RAYCHEM CABLE NO.
RG - 179 B/U	5026A IXIX
RG - 187/U	5030A IXIX
RG - 316 /U	7528A IXIX
	7530A IXIX
	9532A IXIX

CONNECTOR SPECIFICATION CONTROL DRAWING

UNLESS OTHERWISE SPECIFIED DIMENSIONS ARE IN INCHES. BRACKETED DIMENSIONS () ARE METRIC AND TOLERANCES ARE: .XXX: ± () .XX: ± () Δ: ±	DRAWN	DWW	2-15-80	
	CHECKED			
	APPROVED			
	APPROVED	APL	5/27/80	
TITLE				SHIELDED CONTACT, PIN
SIZE	CODE IDENT	DWG. NO.		
C	NO. 06090	D-602-46		
DO NOT SCALE THIS DRAWING				WEIGHT