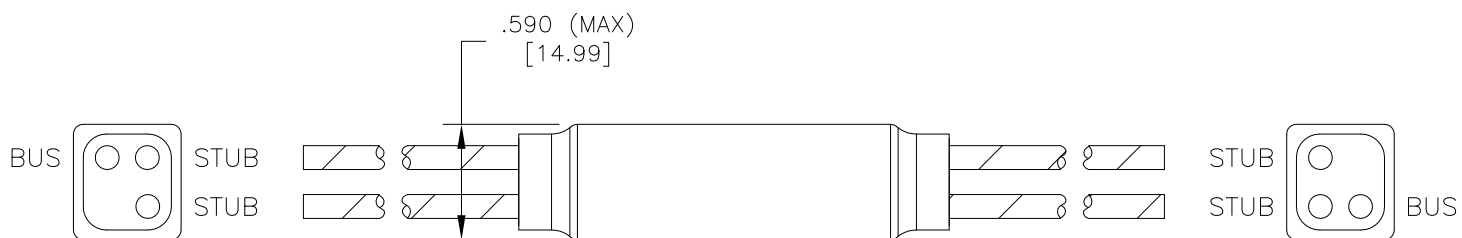
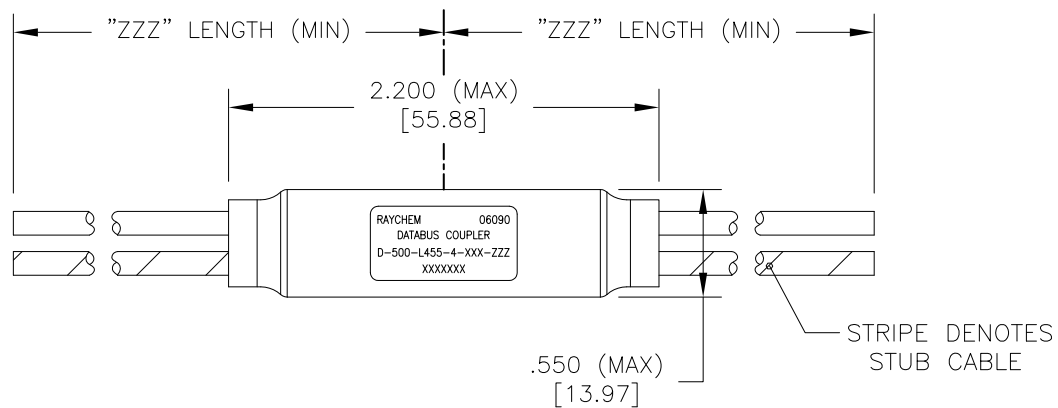


| REVISION | | |
|----------|-------------------------------|-----------|
| REV | DESCRIPTION | DATE |
| B | REVISED DWG PER ECO-11-008908 | 28APR2011 |



COMPONENT NUMBER

D-500-L455-4-XXX-ZZZ

SCHEMATIC
5: STANDARD

CABLE LENGTH
(INCHES)

NUMBER
OF STUBS

CABLE

- 612: 10612 (OPTIMIZED SINGLE SHIELD)
- 613: 10613 (OPTIMIZED DOUBLE SHIELD)
- 614: 10614 (EMP HARDENED)
- EP3: EPD30653Q (BUS), EPD31346A-6L9-US (STUB)
(OPTIMIZED DOUBLE SHIELD)
- H06: 7724H0664 (FLAT SHIELD WIRE, UNFILLED)
- 6D0: 7726D0664 26 AWG OPTIMIZED SINGLE SHIELD
- 6D3: 7726D3664 26 AWG OPTIMIZED DOUBLE SHIELD

© 2011 Tyco Electronics Corporation. All Rights Reserved.

Raychem Databus
CUSTOMER DRAWING

UNLESS OTHERWISE SPECIFIED
DIMENSIONS ARE INCHES. METRIC
DIMENSIONS ARE IN BRACKETS.

| | | | |
|-------|------------|------|-----------|
| DRAWN | T RATZLAFF | DATE | 07DEC2001 |
|-------|------------|------|-----------|



TE Connectivity

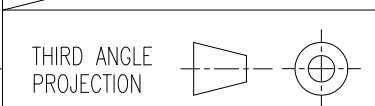
DECIMAL TOLERANCES
.XXX ± 0.005 [0.13 mm]
.XX ± 0.010 [0.25 mm]
.X ± 0.020 [0.50 mm]

ANGLE TOLERANCE
.X ± 0.5 DEG.

WEIGHT WITHOUT CABLE (MAX)
LBS. 0.0331 [15.00 gm]

| | |
|----------|--|
| MATERIAL | |
| FINISH | |

TITLE
DATABUS MICROCOUPLER,
FOUR STUB, STANDARD,
LIGHTWEIGHT



| | | |
|------|-----------------|----------------------|
| SIZE | CODE IDENT. NO. | DWG. NO. |
| A | 06090 | D-500-L455-4-XXX-ZZZ |

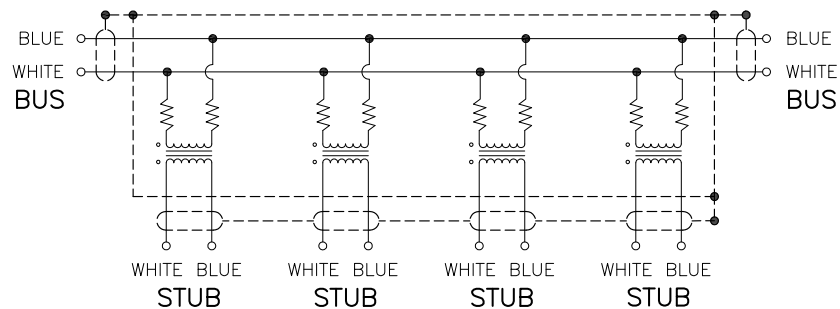
CAD FILE
D-500-L455-4-XXX-ZZZa

DO NOT SCALE THIS DRAWING

SHEET 1 OF 2

1. MATERIAL AND FINISHES:
 - 1.1 INTERNAL COMPONENTS:
 - TRANSFORMER TO MIL-PRF-21038 AND MIL-STD-1553B
 - RESISTORS TO MIL-PRF-39007/9, 57.6 OHMS
 - 1.2 SHIELDED CASE: ALUMINUM PER ASTM B 618 OR ASTM B211
 - 1.3 SEALED COVER: MODIFIED CROSS-LINKED, FLAME RETARDANT, BLACK, FLUOROPOLYMER TO RAYCHEM SPECIFICATION RW3016.
 - 1.4 CABLE TO RAYCHEM SPECIFICATION 1200.
2. APPLICATION:
 - 2.1 THIS COUPLER IS DESIGNED TO BE INSTALLED INTO A DIGITAL MULTIPLEX ASSEMBLY MEETING THE REQUIREMENTS OF MIL-STD-1553B.
 - 2.2 CABLE BEND RADIUS PER SAE-AS50881 STATIC BEND: 5 x CABLE O.D. MIN.
DYNAMIC BEND: 10 x CABLE O.D. MIN.
3. TEMPERATURE:
 - 3.1 OPERATING TEMPERATURE: -65°C TO +150°C
4. PERFORMANCE SPECIFICATIONS:
 - 4.1 COUPLER MEETS THE PERFORMANCE REQUIREMENTS OF MIL-STD-1553B AND USAF DRAWING 8912026.
5. WEIGHT:
 - 5.1 WEIGHT WITHOUT CABLE: 15.0 GRAMS (MAXIMUM).
6. ORDERING INFORMATION:
 - 6.1 ORDER PER COMPONENT NUMBER (SEE SHEET 1) AND DESIRED "ZZZ" CABLE LENGTH.
 - 6.2 SPECIFY CERTIFICATION OF CONFORMANCE REQUIREMENTS AS SEPARATE LINE ITEM.
 - 6.3 SPLICE KITS TO BE ORDERED SEPARATELY. PRODUCT NUMBER: D-150-0708-5.

FOUR STUB COUPLER SCHEMATIC



© 2011 Tyco Electronics Corporation. All Rights Reserved.

Raychem Databus
CUSTOMER DRAWING

| | |
|-----------------------------------|-------------------|
| DRAWN T RATZLAFF | DATE 07DEC2001 |
| CAD FILE D-500-L455-4-XXX-ZZZb | |



| | | | |
|---------------------------|--------------------------|----------------------------------|----------|
| SIZE A | CODE IDENT. NO. 06090 | DWG. NO. D-500-L455-4-XXX-ZZZ | REV B |
| DO NOT SCALE THIS DRAWING | | SHEET 2 OF 2 | |