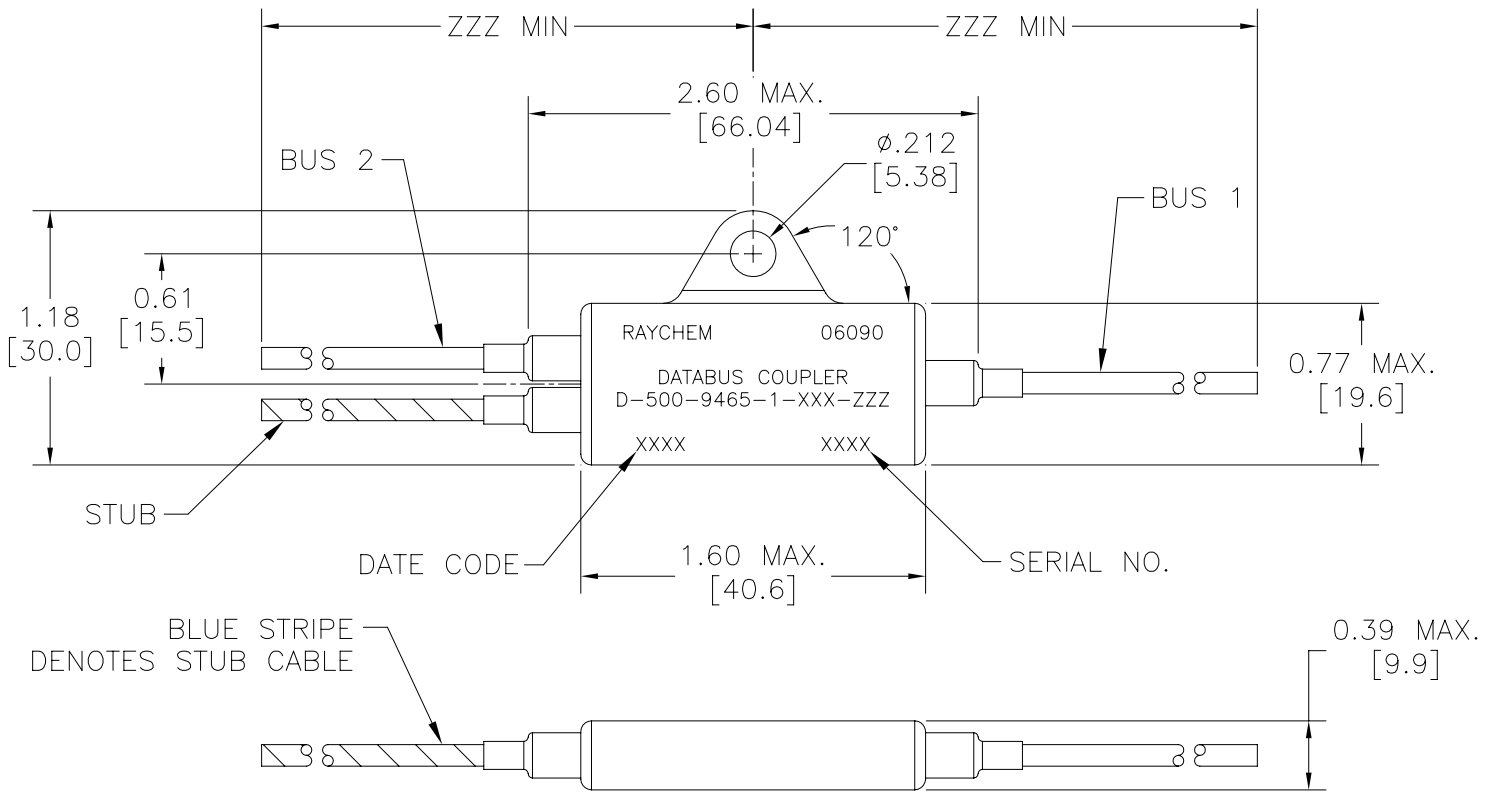


REVISION		
REV	DESCRIPTION	DATE
G	REVISED DWG PER DCR NO. C050823	1/10/06



PART NO. D-500-9465-1-XXX-ZZZ

1 = SINGLE STUB

LENGTH OF CABLE (INCHES)

CABLE

- S16 = OPTIMIZED SINGLE SHIELD
- S36 = OPTIMIZED DOUBLE SHIELD
- S86 = EMP HARDENED

COMONENT NUMBER	BUS CABLE	STUB CABLE
D-500-9465-1-S16-ZZZ	7724S1664-9	7724S1664-96
D-500-9465-1-S36-ZZZ	7724S3664-9	7724S3664-96
D-500-9465-1-S86-ZZZ	7724S8664-9	7724S8664-96

© 2006 Tyco Electronics Corporation. All Rights Reserved.

SPECIFICATION CONTROL DRAWING

UNLESS OTHERWISE SPECIFIED DIMENSIONS ARE INCHES. METRIC DIMENSIONS ARE IN BRACKETS.

DECIMAL TOLERANCES  
 .XXX ± 0.005 [ 0.13 mm]  
 .XX ± 0.010 [ 0.25 mm]  
 .X ± 0.020 [ 0.50 mm]

ANGLE TOLERANCE  
 .X ± 0.5 DEG.

WEIGHT  
 LBS. 0.0287 [ 13.0 gm]

CAD FILE C050823A

DRAWN T RATZLAFF DATE 20FEB2001

MATERIAL

FINISH

THIRD ANGLE PROJECTION



Tyco Electronics Corporation  
 300 Constitution Drive  
 Menlo Park, CA. 94025 U.S.A.

Raychem

TITLE  
 DATABUS MICROCOUPLER  
 SINGLE STUB, STD W/MTG LUG  
 LOW OUTGASSING

SIZE	CODE IDENT. NO.	DWG. NO.
A	06090	D-500-9465-1-XXX-ZZZ

DO NOT SCALE THIS DRAWING SHEET 1 OF 2

1. MATERIAL AND FINISHES:

1.1 INTERNAL COMPONENTS

1.1.1 TRANSFORMER TO MIL-PRF-21038 AND MIL-STD-1553B

1.1.2 ISOLATION RESISTORS TO MIL-PRF-39007/8, 57.6 OHMS

1.1.3 INTERNAL AND EXTERNAL COMPONENTS ATTACHED USING SN96 SOLDER

1.2 SHIELDED CASE: ALUMINUM PER ASTM-B618.

1.2.1 CASE FINISH: 65/35 Sn/Ni ALLOY, .0002/.0003 THK.

1.3 CABLE TYPE PER RAYCHEM SPECIFICATION 1200 (SEE TABLE ON SHEET 1).

1.4 STRAIN RELIEF TUBING: RAYCHEM RT-220, LOW OUTGASING TUBING.

2. APPLICATION:

2.1 THIS COUPLER IS DESIGNED TO BE INSTALLED INTO A DIGITAL MULTIPLEX HARNESS MEETING THE REQUIREMENTS OF MIL-STD-1553B AND NASA'S OUTGASSING SPECIFICATION SP-R-0022A.

2.1.1 THIS PRODUCT IS ASSEMBLED USING LOW OUTGASSING MATERIALS.

2.1.2 THIS PRODUCT IS NOT INTENDED FOR USE IN HIGH MOISTURE ENVIRONMENTS, NOR INTENDED FOR APPLICATIONS WHERE FLUID IMMERSION IS NECESSARY.

2.2 FOR CABLE SPLICING USE SPLICE KIT D-150-9708-5 (NOT SUPPLIED).

2.3 CABLE BEND RADIUS PER SAE-AS50881 STATIC BEND: 5 X CABLE O.D. MIN.  
DYNAMIC BEND: 10 X CABLE O.D. MIN.

3. TEMPERATURE:

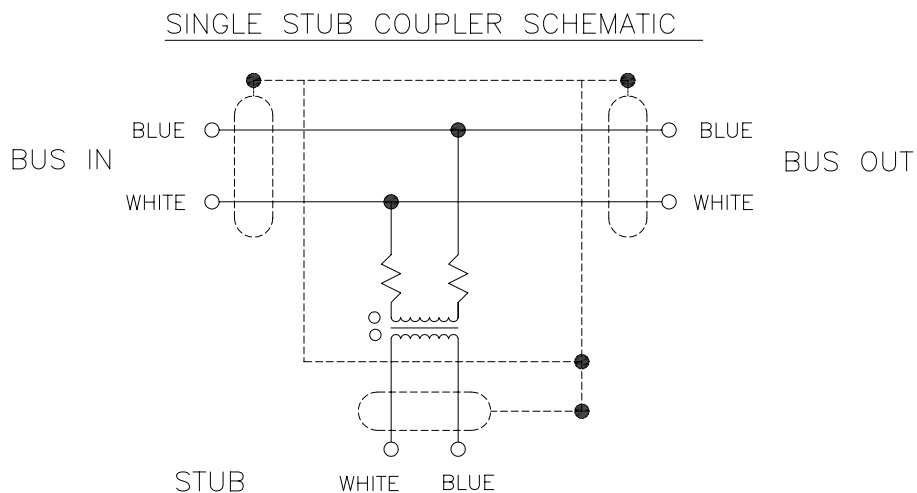
3.1 OPERATING TEMPERATURE: -65°C TO +150°C CONTINUOUS.

4. PERFORMANCE SPECIFICATIONS:

4.1 TRANSFORMER MEETS THE PERFORMANCE REQUIREMENTS OF MIL-STD-1553B.

5. WEIGHT:

5.1 MAXIMUM WEIGHT WITHOUT CABLE: 13 GRAMS MAX.



© 2006 Tyco Electronics Corporation. All Rights Reserved.

SPECIFICATION CONTROL DRAWING

DRAWN T_RATZLAFF	DATE 20FEB2001	SIZE A	CODE IDENT. NO. 06090	DWG. NO. D-500-9465-1-XXX-ZZZ	REV G
CAD FILE C050823B	<b>tyco</b> <b>Electronics</b>		DO NOT SCALE THIS DRAWING		SHEET 2 OF 2