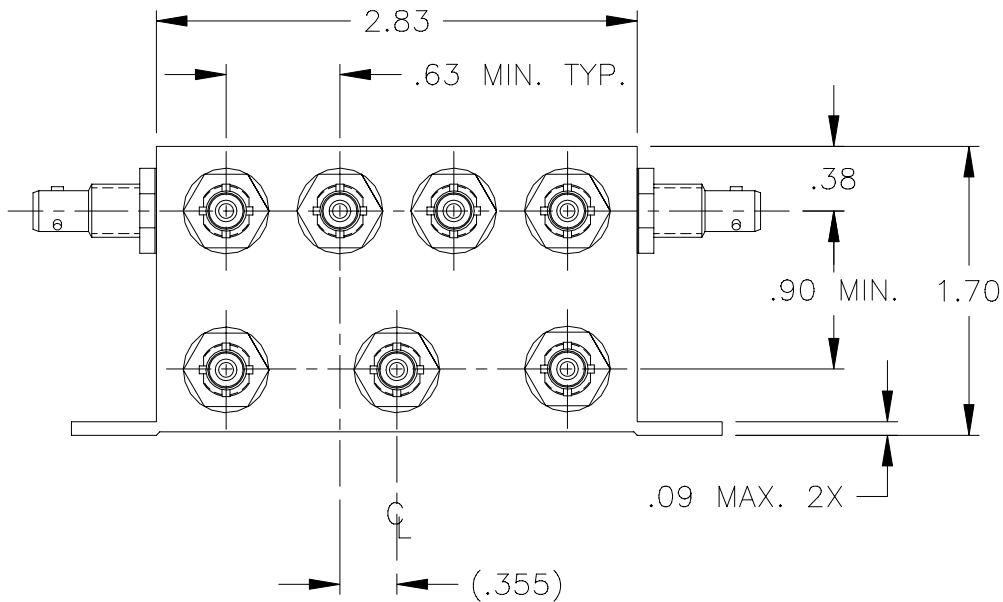
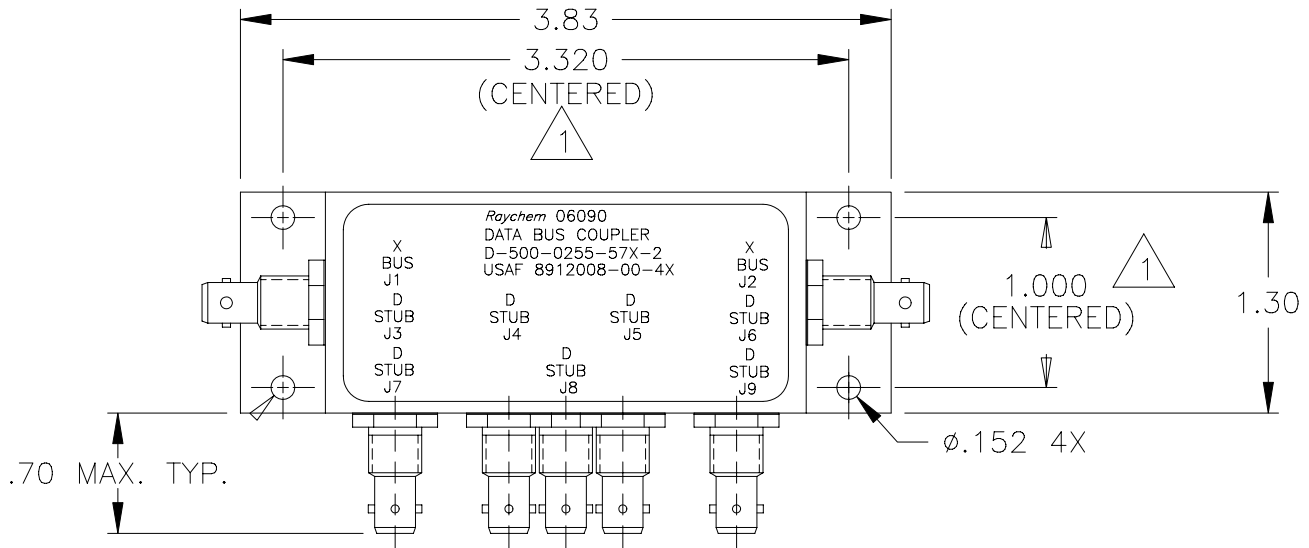


| REVISIONS |                          |         |          |
|-----------|--------------------------|---------|----------|
| LTR       | DESCRIPTION              | DATE    | APPROVED |
| B         | REVISED PER ECN# T-20182 | 95JUN20 | Z. TEMAN |
| C         | REVISED PER ECN# T-20252 |         |          |

NOTES:

1 HOLE PATTERN MACHINED SYMMETRIC TO MOUNTING FLANGE.



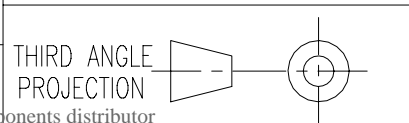
## SPECIFICATION CONTROL DRAWING

UNLESS OTHERWISE SPECIFIED  
DIMENSIONS ARE IN INCHES.  
METRIC DIMENSIONS ARE  
IN BRACKETS.

DECIMALS  
.XXX ± .010 { — mm }  
.XX ± .03 { — mm }  
ANGLES  
.X — ± —

WEIGHT  
195 GRAMS MAX

|          |              |           |
|----------|--------------|-----------|
| DRAWN    | J.B.K.       | 91 APR 29 |
| CHECKED  |              |           |
| APPROVED |              |           |
| APPROVED | Z. TEMAN     | 91 MAY 6  |
| CAD NAME | 009066-1.DWG |           |



|  |                          |  |              |                |
|--|--------------------------|--|--------------|----------------|
| <b>tyco</b><br><b>Electronics</b>                              |                          | Tyco Electronics Corporation<br>300 Constitution Drive<br>Menlo Park, CA. 94025 U.S.A. |              | <b>Raychem</b> |
| TITLE<br>7 STUB<br>DATA BUS COUPLER<br>WITH BAYONET CONNECTORS |                          |  |              |                |
| SIZE<br>A  | CODE IDENT. NO.<br>06090 | DWG. NO.<br>D-500-0255-57X-2   | REV<br>C     |                |
| DO NOT SCALE THIS DRAWING                                      |                          |  | SHEET 1 OF 2 |                |

## 1.0 INTERMATEABILITY

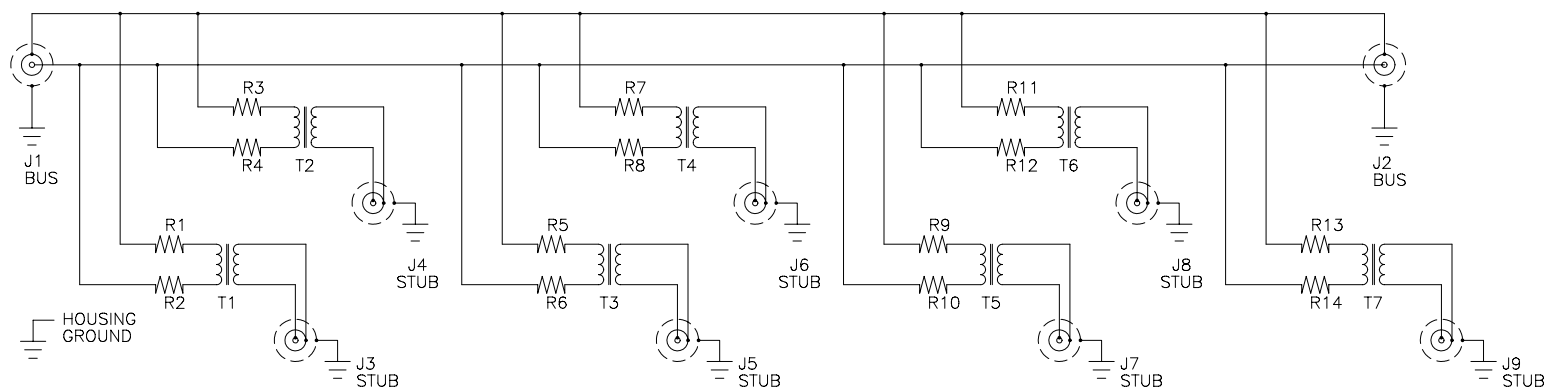
| CONNECTOR<br>BOX JACK             | MATING PLUG                       | KEY<br>("X") |
|-----------------------------------|-----------------------------------|--------------|
| DK-621-0434-1S<br>(8912004-00-05) | DK-621-0433-1P<br>(8912003-00-01) | A            |
| DK-621-0436-2S<br>(8912004-00-06) | DK-621-0435-2P<br>(8912003-00-02) | B            |
| DK-621-0438-3S<br>(8912004-00-07) | DK-621-0437-3P<br>(8912003-00-03) | C            |
| DK-621-0440-4P<br>(8912004-00-04) | DK-621-0439-4S<br>(8912003-00-08) | D            |

## 2.0 PERFORMANCE

- 2.1 THIS COUPLER IS DESIGNED TO MEET THE APPLICABLE FUNCTIONAL REQUIREMENT OF RAYCHEM SPECIFICATION D-6021 AND USAF 8912008.
- 2.2 THE COUPLER SHALL OPERATE UNDER ANY OF THE ENVIRONMENTAL SERVICE CONDITIONS AS SPECIFIED IN MIL-E-5400, CLASS  $\nabla$  UPGRADED TO 125°C CONTINUOUS OPERATION.
- 2.3 ALTITUDE: SEA LEVEL TO 75,000 FEET
- 3.0

| D-500-0255                | BUS<br>JACKS<br>J1 AND J2             | STUB<br>JACKS<br>J3 THRU J8           |
|---------------------------|---------------------------------------|---------------------------------------|
| -573-2<br>(8912008-00-43) | DK-621-0434-1S "A"<br>(8912004-00-01) | DK-621-0440-4P "D"<br>(8912004-00-08) |
| -575-2<br>(8912008-00-44) | DK-621-0436-2S "B"<br>(8912004-00-02) | DK-621-0440-4P "D"<br>(8912004-00-08) |
| -577-2<br>(8912008-00-45) | DK-621-0438-3S "C"<br>(8912004-00-03) | DK-621-0440-4P "D"<br>(8912004-00-08) |

## SCHEMATIC DIAGRAM



CAD NAME: 009066-2

DRAWN

J.B.K.

91APR29

SIZE

CODE IDENT. NO.

DWG. NO.

A

06090

D-500-0255-57X-2