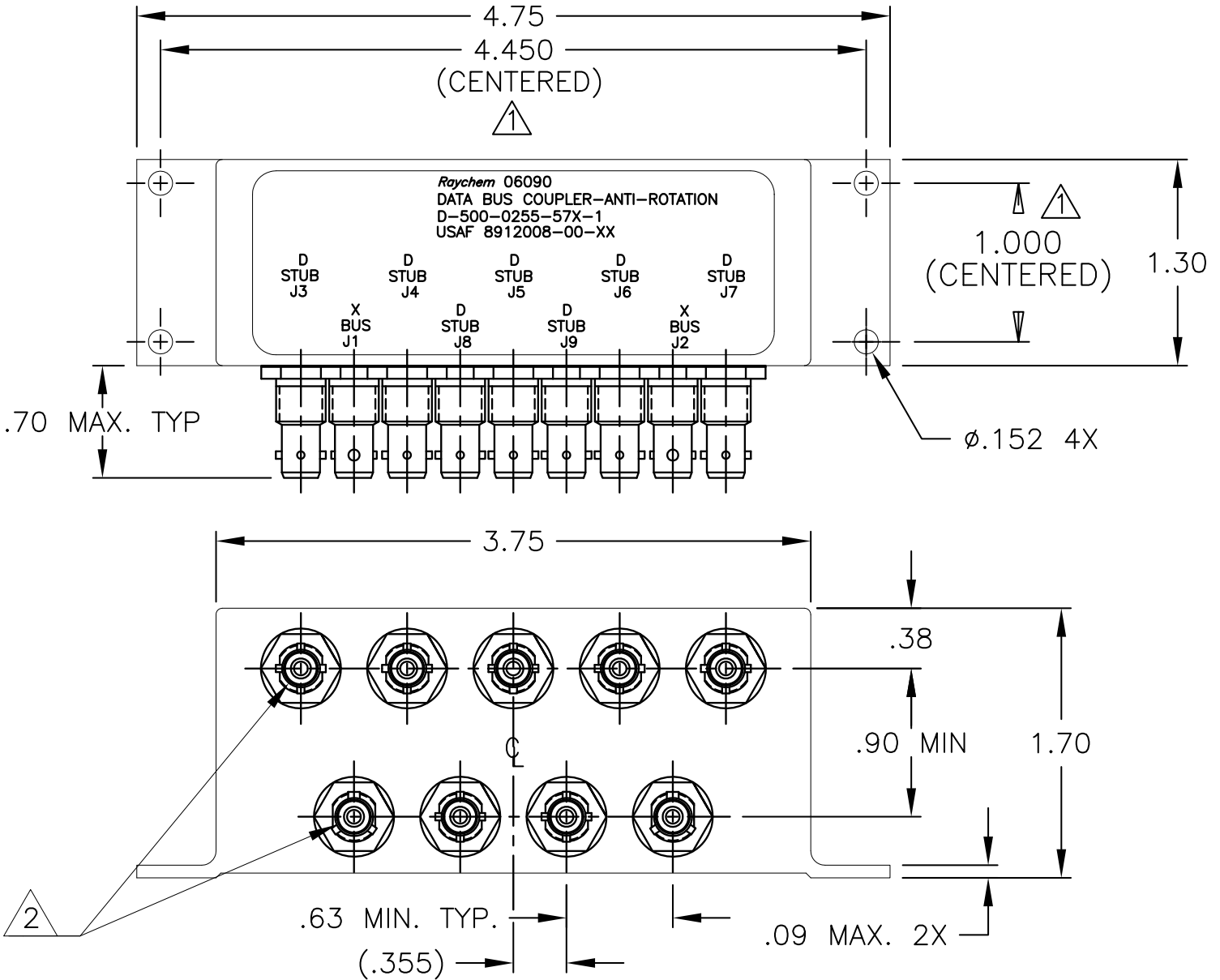


REVISIONS			
LTR	DESCRIPTION	DATE	APPROVED
B	REVISED PER ECN No. T-20252		
C	REVISED DWG PER ECO-11-007423	11APR08	E.CHEN

NOTES:

- ① HOLE PATTERN MACHINED SYMMETRIC WITHIN MOUNTING FLANGE.
- ② DOUBLE "D" ANTI-ROTATION MOUNTING ON ALL CONNECTOR JACKS.



Raychem Databus

© 2011 Tyco Electronics Corporation. All Rights Reserved.

CUSTOMER DRAWING

UNLESS OTHERWISE SPECIFIED DIMENSIONS ARE IN INCHES. METRIC DIMENSIONS ARE IN BRACKETS.

DECIMALS

.XXX ± .010 [ — mm ]  
 .XX ± .03 [ — mm ]

ANGLES

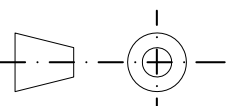
.X ± —

WEIGHT

233 GRAMS MAX.

DRAWN	J.B.K.	91JUN10
CHECKED		
APPROVED		
APPROVED	Z.TEMAN	91JUN11
CAD NAME	D-500-0255-57X-1a_CD_C	

THIRD ANGLE PROJECTION



TE Connectivity

TITLE

7 STUB  
 DATA BUS BAYONET COUPLER  
 WITH TRIAXIAL CONNECTORS

SIZE	CODE IDENT. NO.	DWG. NO.	REV
A	06090	D-500-0255-57X-1	C
DO NOT SCALE THIS DRAWING			SHEET 1 OF 2

## 1.0 INTERMATEABILITY

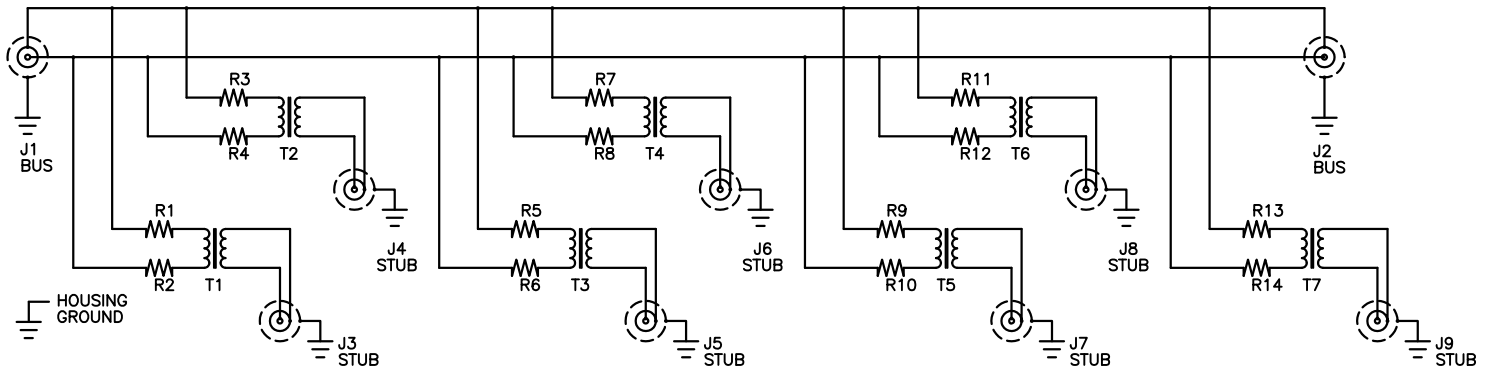
CONNECTOR BOX JACK	MATING PLUG	KEY ("X")
DK-621-0434-1S (8912004-00-05)	DK-621-0433-1P (8912003-00-01)	A
DK-621-0436-2S (8912004-00-06)	DK-621-0435-2P (8912003-00-02)	B
DK-621-0438-3S (8912004-00-07)	DK-621-0437-3P (8912003-00-03)	C
DK-621-0440-4P (8912004-00-04)	DK-621-0439-4S (8912003-00-08)	D

## 2.0 PERFORMANCE

- 2.1 THIS COUPLER IS DESIGNED TO MEET THE APPLICABLE FUNCTIONAL REQUIREMENT OF RAYCHEM SPECIFICATION D-6021 AND USAF 8912008.
- 2.2 THE COUPLER SHALL OPERATE UNDER ANY OF THE ENVIRONMENTAL SERVICE CONDITIONS AS SPECIFIED IN MIL-E-5400, CLASS  $\nabla$  UPGRADED TO 125°C CONTINUOUS OPERATION.
- 2.3 ALTITUDE: SEA LEVEL TO 75,000 FEET
- 3.0

D-500-0255	BUS JACKS J1 AND J2	STUB JACKS J3 THRU J10
-573-1 (8912008-00-19)	DK-621-0434-1S "A" (8912004-00-01)	DK-621-0440-4P "D" (8912004-00-08)
-575-1 (8912008-00-20)	DK-621-0436-2S "B" (8912004-00-02)	DK-621-0440-4P "D" (8912004-00-08)
-577-1 (8912008-00-21)	DK-621-0438-3S "C" (8912004-00-03)	DK-621-0440-4P "D" (8912004-00-08)

## SCHEMATIC DIAGRAM



Raychem Databus  
CUSTOMER DRAWING



TE Connectivity

CAD NAME: D-500-0255-57X-1b_CD_C	DRAWN J.B.K.	41 JUN 10	SIZE A	CODE IDENT. NO. 06090	DWG. NO. D-500-0255-57X-1
	ISSUED		DO NOT SCALE THIS DRAWING		SHEET 2 OF 2