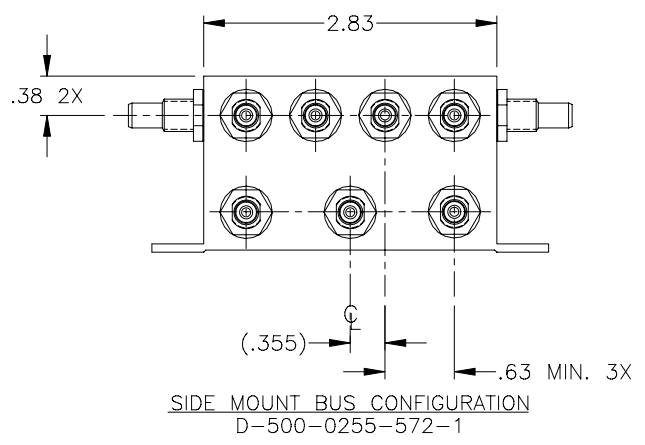
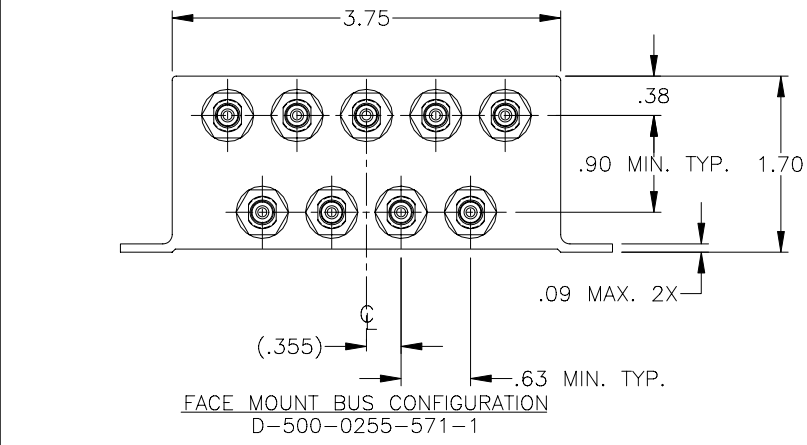
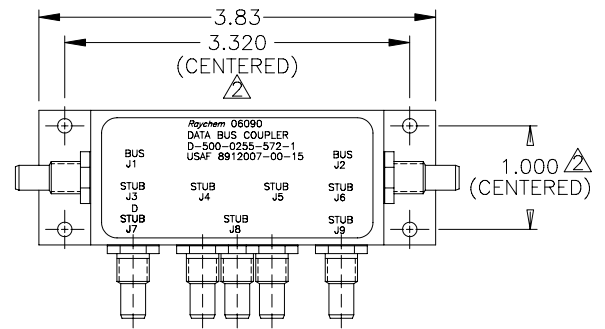
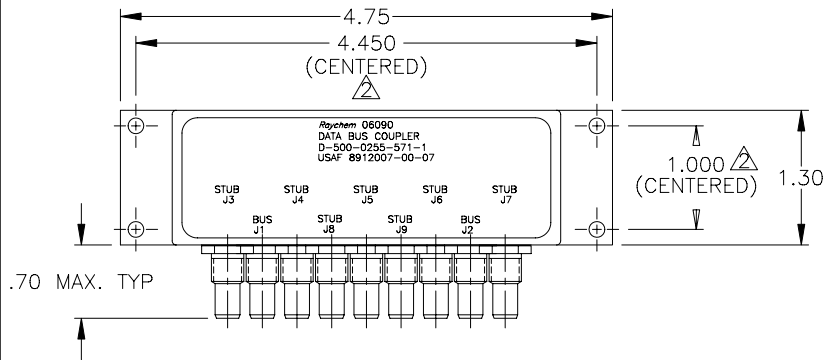


REVISIONS			
LTR	DESCRIPTION	DATE	APPROVED
N/C	INITIAL RELEASE PER ECN# T-18968	94MAR16	Z.E.T.
A	REVISED PER ECN# T-20123		



FACE MOUNT BUS CONFIGURATION
D-500-0255-571-1

SIDE MOUNT BUS CONFIGURATION
D-500-0255-572-1

SPECIFICATION CONTROL DRAWING

3 WEIGHT: D-500-0255-571-1 247 grams MAX.
D-500-0255-572-1 207 grams MAX.

2 HOLE PATTERN MACHINED SYMMETRIC TO MOUNTING FLANGE.
1. ORIENTATION OF CONNECTORS IS APPROXIMATELY AS SHOWN.

NOTES:

UNLESS OTHERWISE SPECIFIED DIMENSIONS ARE IN INCHES. METRIC DIMENSIONS ARE IN BRACKETS. DECIMALS .XXX ± .010 [— mm] .XX ± .03 [— mm] ANGLES .X ± — WEIGHT	DRAWN	J.B.K.	92 APR 6		Tyco Electronics Corporation 300 Constitution Drive Menlo Park, CA, 94025 U.S.A.		
	CHECKED						
	APPROVED				TITLE 7 STUB DATA BUS COUPLER WITH THREADED TRIAXIAL CONNECTORS		
	APPROVED				SIZE	CODE IDENT. NO.	DWG. NO.
CAD NAME	009187-1.DWG			A	06090	D-500-0255-571/572-1	A
THIRD ANGLE PROJECTION				DO NOT SCALE THIS DRAWING			SHEET 1 OF 2

1.0 INTERMATEABILITY

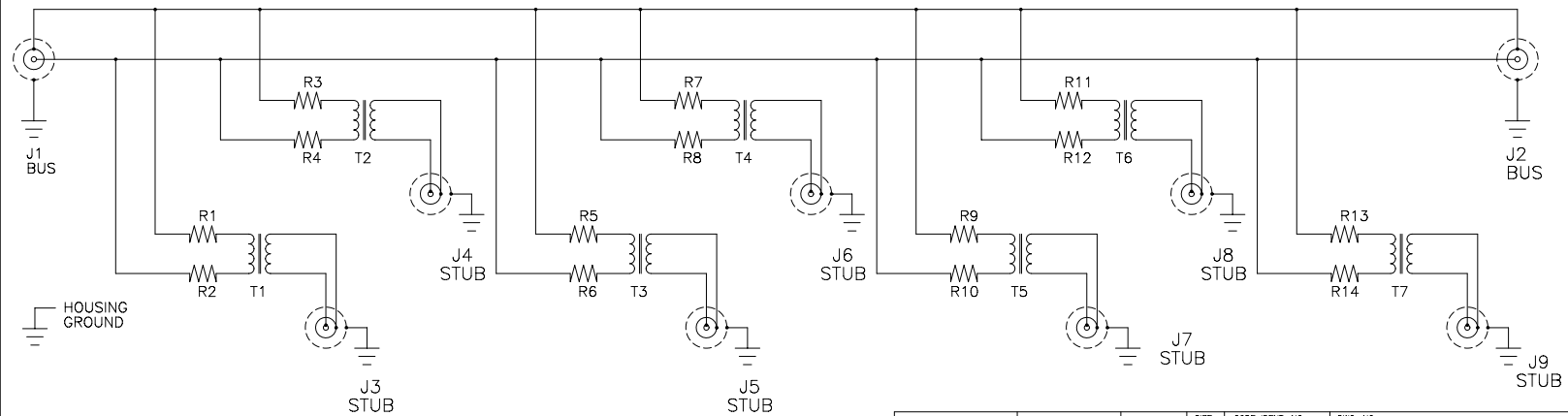
BUS JACKS J1 AND J2	MATING PLUG
DK-621-0412-P (8340711-00-01)	DK-621-0411-S (8340709-00-02)

STUB JACK J3 THRU J7	MATING PLUG
DK-621-0412-S (8340711-00-02)	DK-621-0411-P (8340709-00-01)

2.0 PERFORMANCE

- 2.1 THIS COUPLER IS DESIGNED TO MEET THE APPLICABLE FUNCTIONAL REQUIREMENT OF RAYCHEM SPECIFICATION D-6021 AND USAF 8912007.
- 2.2 THE COUPLER SHALL OPERATE UNDER ANY OF THE ENVIRONMENTAL SERVICE CONDITIONS AS SPECIFIED IN MIL-E-5400, CLASS ∇ UPGRADED TO 125°C CONTINUOUS OPERATION.
- 2.3 ALTITUDE: SEA LEVEL TO 75,000 FEET

SCHEMATIC DIAGRAM



CAD NAME: 009187-2	DRAWN J.B.K.	DATE 94 MAR 9	SIZE A	CODE IDENT. NO. 06090	DWG. NO. D-500-0255-571/572-1
	ISSUED	DATE	DO NOT SCALE THIS DRAWING		SHEET 2 OF 2